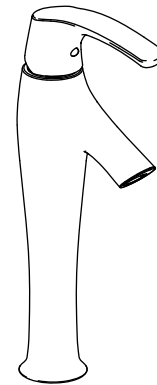


**Features**

- Brass construction
- One-piece, self-contained ceramic disc valve allows both volume and temperature control
- High-temperature limit setting for added safety
- Temperature memory allows faucet to be turned on and off at any temperature setting
- Single-hole mounting
- Touch-activated drain with tailpiece and overflow
- Flexible connections for easy installation
- Stationary spout
- 3-5/8" (92 mm) spout reach
- 1.5 gallons (5.7 liters) per minute maximum flow rate

**SINGLE-HANDLE BATHROOM SINK FAUCET  
K-19774**



**Codes/Standards Applicable**

Specified model meets or exceeds the following at date of manufacture:

- ASME A112.18.1/CSA B125.1
- NSF 61
- All applicable US Federal and State material regulations
- EPA WaterSense®

**Colors/Finishes**

- CP: Polished Chrome
- Other: Refer to Price Book for additional colors/finishes

**Specified Model**

Model	Description	Description	
K-19774-4	Single-handle bathroom sink faucet	<input type="checkbox"/> CP	<input type="checkbox"/> Other _____

Optional Accessories		
_____	Additional flow options are available (refer to the Kohler Price Book)	<input type="checkbox"/> NA

**Product Specification**

The single-handle bathroom sink faucet shall be made of brass construction. Product shall have a maximum flow rate of 1.5 gallons (5.7 liters) per minute. Product shall have a one-piece, self-contained ceramic disc valve, allowing both volume and temperature control. Product shall feature temperature memory, allowing the faucet to be turned on and off at any temperature setting. Product shall feature a high-temperature limit setting for added safety. Product shall be for single-hole mounting. Product shall feature a 3-5/8" (92 mm) spout reach, a lever handle, a stationary spout, flexible connections for easy installation, and a touch-activated drain with tailpiece and overflow. Faucet shall be Kohler Model K-19774-4-\_\_\_\_\_.

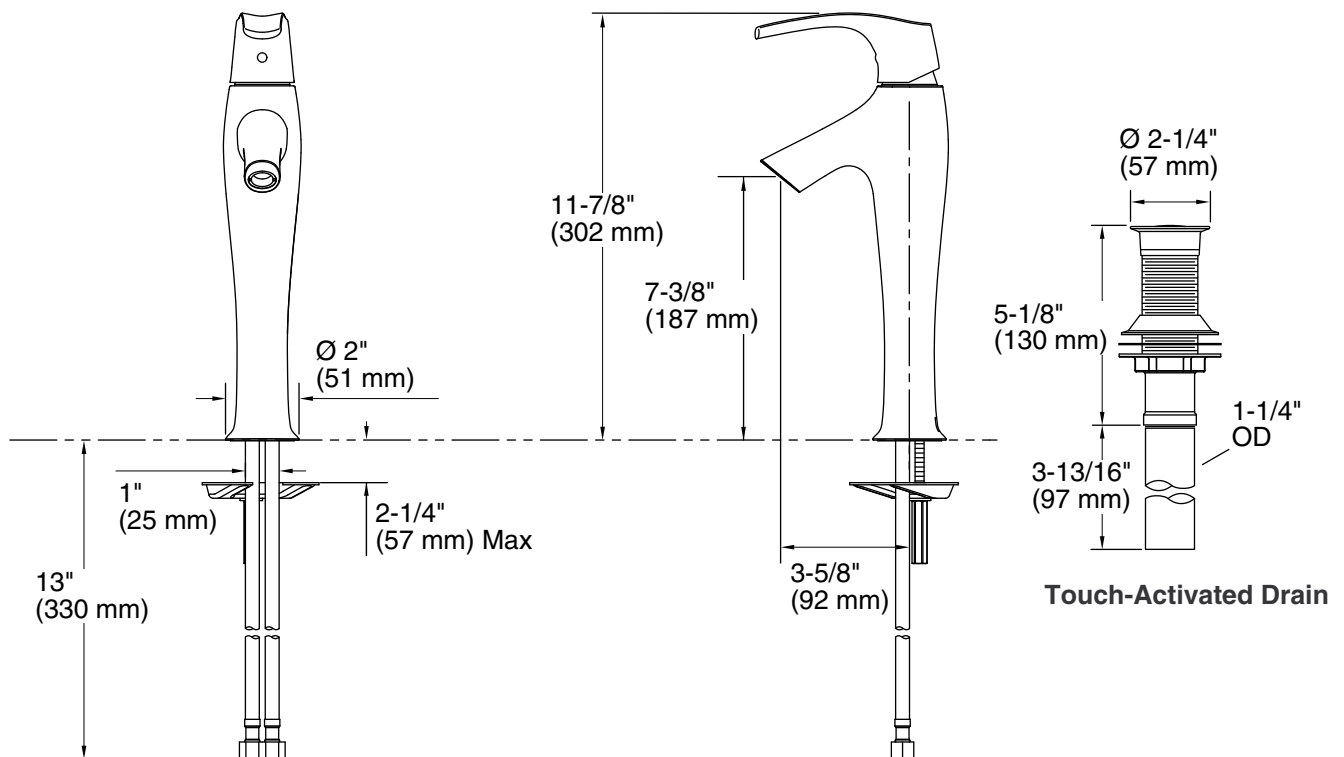
# SYMBOL™

## Technical Information

Included components:	
Drain	1032297

## Installation Notes

Install this product according to the installation guide.



## Product Diagram