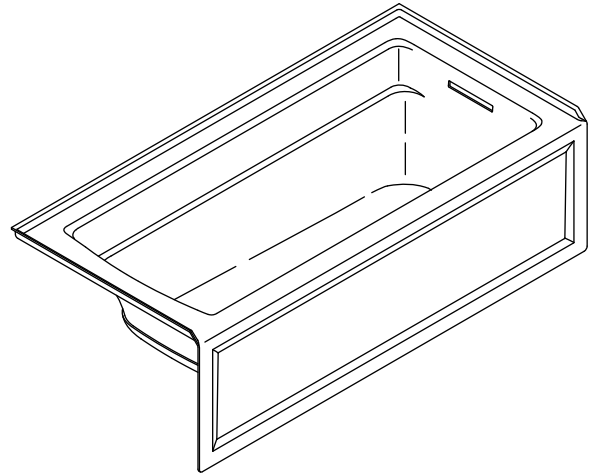


### Features

- *ExoCrylic™*
- *Left or right drain*
- *Integral apron*
- *Integral tile flange*
- *Bask™ heated surface with three temperature settings*
- *Slotted overflow for maximum bathing depth*
- *Low threshold height*
- *Armrests*
- *66" (1676 mm) x 32" (813 mm) x 19" (483 mm)*

### 5.5' APRON BATH WITH BASK® HEATED SURFACE **K-1948-LAW** ALSO K-1948-RAW

ADA



### Codes/Standards Applicable

Specified model meets or exceeds the following:

- ADA
- ICC/ANSI A117.1
- CSA B45.5/IAPMO Z124
- UL 1795

### Colors/Finishes

- 0: White
- Other: Refer to Price Book for additional colors/finishes

### Accessories:

- CP: Polished Chrome
- Other: Refer to Price Book for additional colors/finishes

### Specified Model

Model	Description	Colors/Finishes	
K-1948-LAW	5.5' apron bath with Bask, left drain	<input type="checkbox"/> 0	<input type="checkbox"/> Other _____
K-1948-RAW	5.5' apron bath with Bask, right drain	<input type="checkbox"/> 0	<input type="checkbox"/> Other _____
<b>Required Accessories</b>			
K-7271	Clearflo slotted overflow brass bath drain <b>OR</b>	<input type="checkbox"/> CP	<input type="checkbox"/> Other _____
K-7272	Clearflo slotted overflow bath drain – PVC pipe	<input type="checkbox"/> CP	<input type="checkbox"/> Other _____

### Product Specification:

The ExoCrylic bath shall be 66" (1676 mm) in length, 32" (813 mm) in width, and 19" (483 mm) in height. Bath shall feature Bask heated lumbar support with three temperature settings. Bath shall have left or right drain. Bath shall have integral apron and integral tile flange. Bath shall have slotted overflow for maximum bathing depth, and low threshold height. Bath shall have armrests. Bath shall be Kohler Model K-1948-\_\_\_\_\_-\_\_\_\_\_.

# ARCHER®

## Technical Information

Fixture*:	
Bathing well	
Basin area, bottom	50-3/8" (1280 mm) x 19-5/8" (498 mm)
Basin area, top	57-5/16" (1456 mm) x 24-1/16" (611 mm)
Weight	90 lbs (40.8 kg)
To overflow	
Water depth	15-5/16" (389 mm)
Capacity	66 gal (248.3 L)
* Approximate measurements for comparison only.	

Heater:	W	V	HZ	A
	65	120	60	0.5

## Required Electrical Service

Dedicated circuit required, protected with a Class A Ground-Fault Circuit-Interrupter (GFCI):	
Heated surface	120 V, 15 A, 60 Hz

## Installation Notes

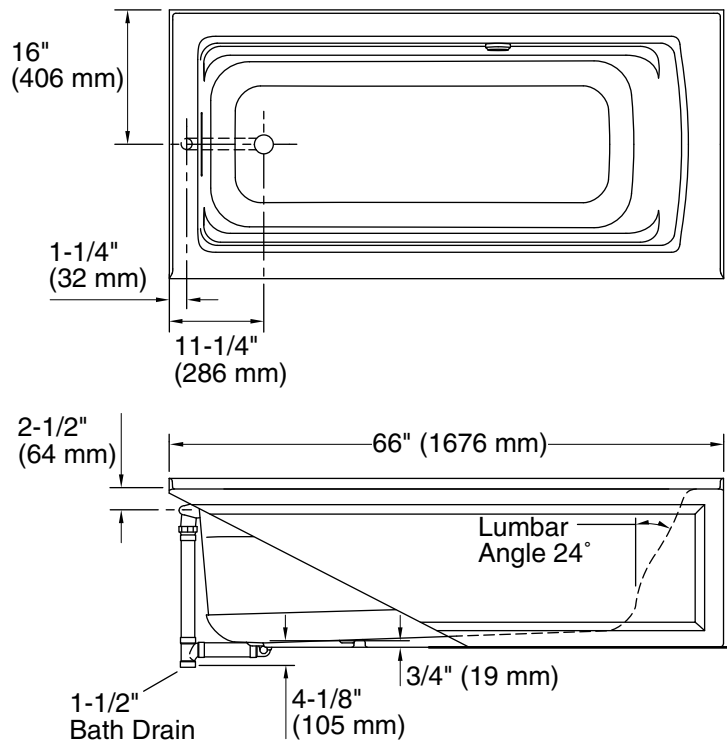
Install this product according to the installation guide.

Floor support under this product must provide for a minimum of 45.4 lbs/square foot (222 kg/square meter) loading.

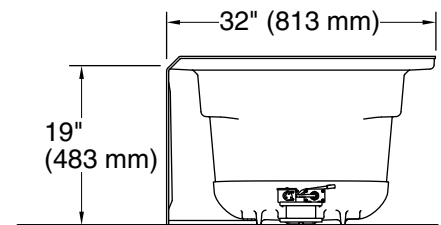
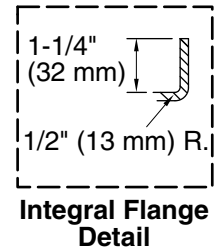
Locate a GFCI-protected 120 V, 15 A, grounded electrical outlet within 24" (610 mm) of the bath junction box. A 40" (1016 mm) cable is included.

The hot water supply should be 70% of the capacity of the bath or greater. Installations will vary.

Will comply with **ADA** when installed per Section 607 Bathtubs of the ADA 2010 Standards for Accessible Design.



No change in measurements if connected with drain illustrated. (K-7272)



## Product Diagram