

Features

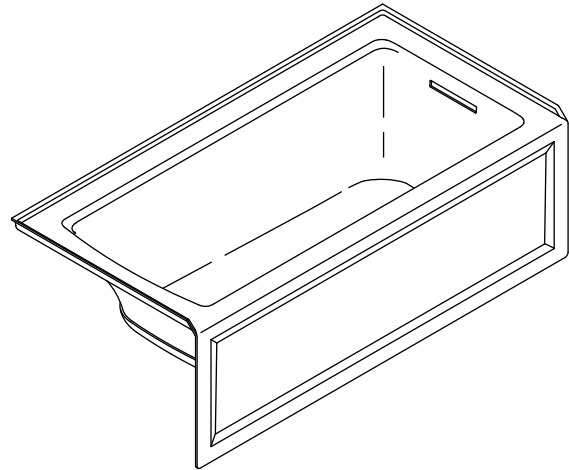
- *ExoCrylic™*
- *Left or right drain*
- *Integral apron*
- *Integral tile flange*
- *Slotted overflow for maximum bathing depth*
- *Low threshold height*
- *Integral lumbar support*
- *60" (1524 mm) x 30" (762 mm) x 19" (483 mm)*

5' BATH WITH INTEGRAL APRON

K-1946-LA

ALSO K-1946-RA

ADA



Codes/Standards Applicable

Specified model meets or exceeds the following:

- *ADA*
- *ICC/ANSI A117.1*
- *CSA B45.5/IAPMO Z124*

Colors/Finishes

- 0: White
- Other: Refer to Price Book for additional colors/finishes

Accessories:

- CP: Polished Chrome
- Other: Refer to Price Book for additional colors/finishes

Specified Model

Model	Description	Colors/Finishes	
K-1946-LA	5' bath with integral apron, left drain	<input type="checkbox"/> 0	<input type="checkbox"/> Other_____
K-1946-RA	5' bath with integral apron, right drain	<input type="checkbox"/> 0	<input type="checkbox"/> Other_____
Required Accessories			
K-7271	Clearflo slotted overflow brass bath drain OR	<input type="checkbox"/> CP	<input type="checkbox"/> Other_____
K-7272	Clearflo slotted overflow bath drain – PVC pipe	<input type="checkbox"/> CP	<input type="checkbox"/> Other_____

Product Specification:

The ExoCrylic bath shall be 60" (1524 mm) in length, 30" (762 mm) in width, and 19" (483 mm) in height. Bath shall have left or right drain. Bath shall have integral apron and integral tile flange. Bath shall have slotted overflow for maximum bathing depth, low threshold height, and integral lumbar support. Bath shall be Kohler Model K-1946-_____-_____.

ARCHER®

Technical Information

Fixture*:	
Bathing well	
Basin area, bottom	45-1/8" (1146 mm) x 19-11/16" (500 mm)
Basin area, top	52-1/8" (1324 mm) x 22-1/16" (560 mm)
Weight	73 lbs (33.1 kg)
To overflow	
Water depth	15-1/8" (384 mm)
Capacity	57 gal (216.9 L)
* Approximate measurements for comparison only.	

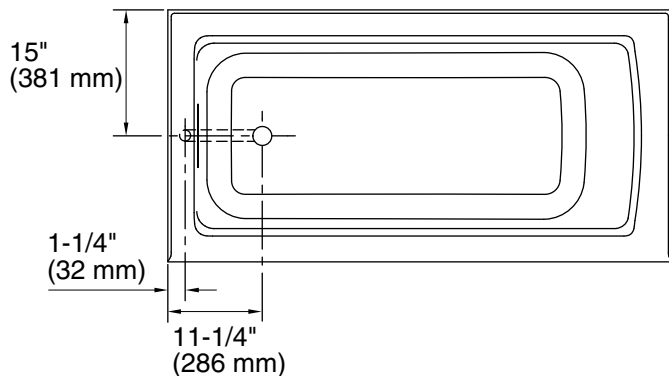
Installation Notes

Install this product according to the installation guide.

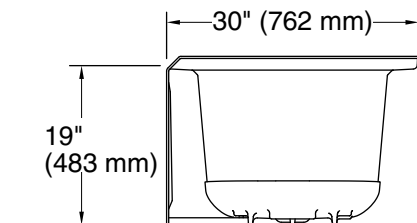
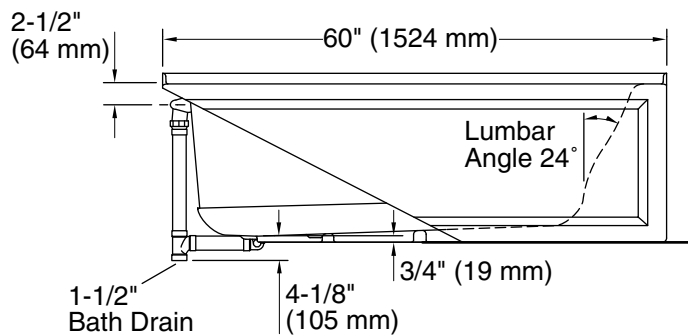
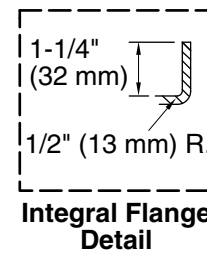
Floor support under this product must provide for a minimum of 46 lbs/square foot (224 kg/square meter) loading.

The hot water supply should be 70% of the capacity of the bath or greater. Installations will vary.

Will comply with **ADA** when installed per Section 607 Bathtubs of the Act.



No change in measurements if connected with drain illustrated. (K-7272)



Product Diagram