



Elevance® Rising Wall

5' Bath
K-1913-LB

Features

- Rising side wall is easy to lift, requiring less than 5 pounds of force.
- Inflatable seal.
- Chair-height bathing seat makes bath easy to enter and exit.
- Dual-drain system allows bath to empty in less than two minutes.
- Installed grab bar.
- Integrated ledge enables you to reach personal items with ease.
- Left-hand drain.
- Door glides on a track system with a counterbalance system to make it lightweight.
- 60-1/4" (1530 mm) x 33-1/2" (851 mm) x 38" (965 mm)

Material

- Acrylic

Installation

- Three-wall alcove.
- Leakproof seals come with lifetime limited warranty when installed by qualified installer.



ADA

Codes/Standards

ASME A112.19.5/CSA B45.15
CSA B45.5/IAPMO Z124
ASTM E162
ASTM E662
UL 1951
ADA
ICC/ANSI A117.1

KOHLER® One-Year Limited Warranty

See website for detailed warranty information.

Available Color/Finishes

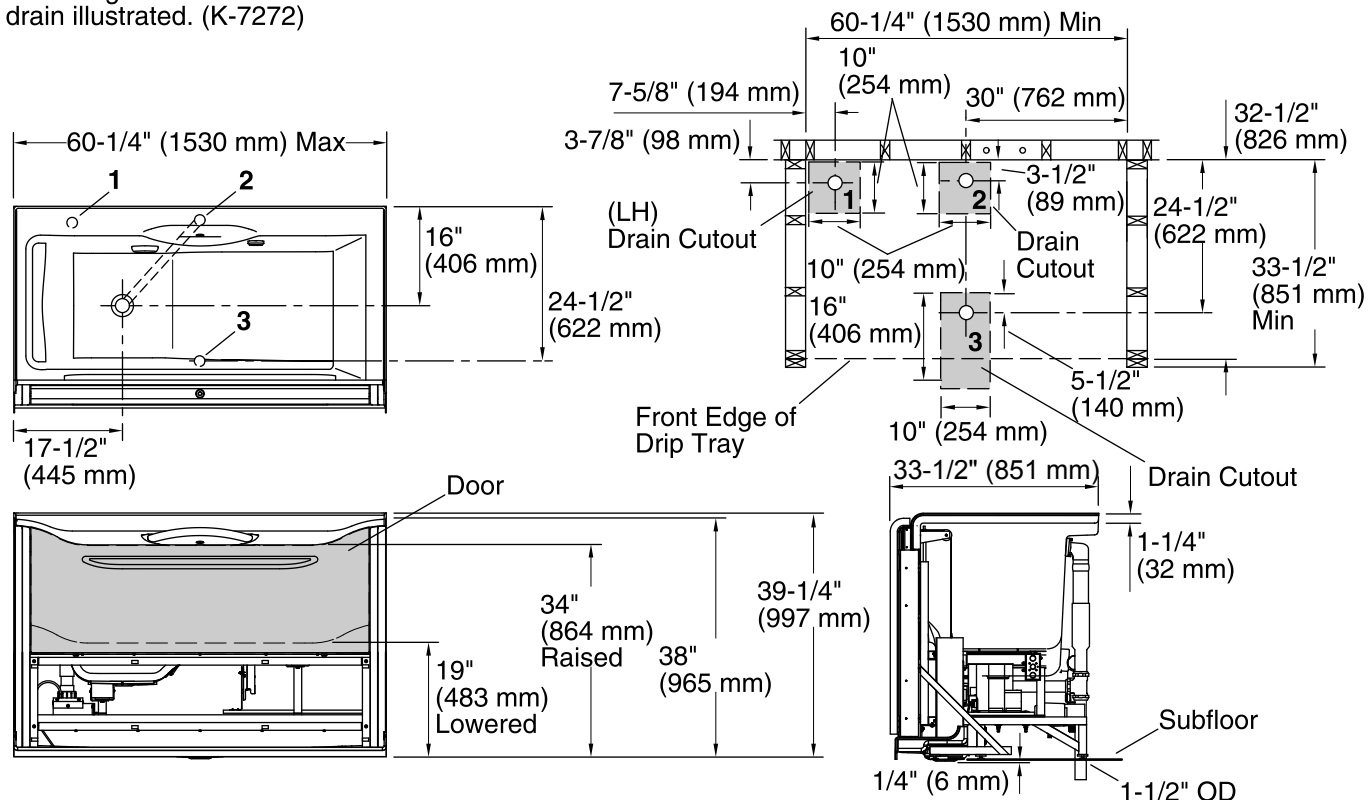
Color tiles intended for reference only.

Color	Code	Description
-------	------	-------------

	0	White
--	---	-------

No change in measurements if connected with drain illustrated. (K-7272)

Three drain cutouts required.



Required Electrical Service

One circuit required, protected with Class A Ground-Fault Circuit-Interrupter (GFCI) or Residual Current Device (RCD).

Bath Door: 120 V, 0.5 A, 60 Hz

Technical Information

All product dimensions are nominal.

Installation: 3-Wall Alcove

Drain location: Left

Basin area, bottom: 43" x 22-1/2" (1092 mm x 572 mm)

Basin area, top: 48-3/4" x 23-3/8" (1238 mm x 594 mm)

Weight: 260 lbs (117.9 kg)

Minimum floor load: 60 lbs/ft² (292.9 kg/m²)

Water depth: 19-3/4" (502 mm)

Water capacity: 72 gal (272.5 L)

Electrical rating: Bath Door: 120 V, 0.5 A, 60 Hz

Notes

Install this product according to the installation guide.

Hot water supply should be 70% of capacity or greater. Installations will vary.

NOTICE: Three drains are required. Drains 1 and 2 require a 10" (254 mm) x 10" (254 mm) cutout. Drain 3 requires a 10" (254 mm) x 10" (254 mm) cutout if accessible from below. For above-floor access, make a 10" (254 mm) x 16" (406 mm) cutout. Support the finished floor accordingly.

A 350 VA size or greater Uninterruptible Power Supply (UPS) is recommended for areas of routine or prolonged power outages.

Note: Installation at high altitude may affect product performance. Contact Kohler Co. if installing more than 6000 ft (1828.8m) above sea level.

Measure your actual product for roughing-in details.

ADA compliant when installed to the specific requirements of these regulations.