

LAVATORY FAUCET K-8211-K

ADA

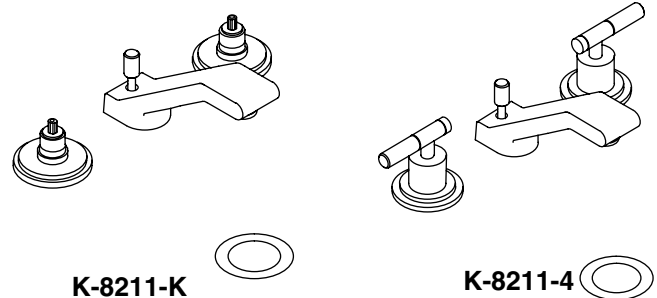
Features

- Brass construction
- Brass valve bodies
- Quarter-turn washerless ceramic disc valves
- 2.0 gallons (7.6 L) per minute flow rate
- Lower flow aerator options are available (refer to the Kohler Price Book)
- Pop-up drain with lift rod and tailpiece
- Flexible connections for easy installation
- Variety of handle style options
- 4-15/16" (12.5 cm) spout

Codes/Standards Applicable

Specified model meets or exceeds the following:

- ASME A112.18.1
- CSA B125
- Energy Policy Act of 1992
- IAPMO/UPC
- NSF 61
- ADA
- CSA International





Colors/Finishes

- CP: Polished Chrome
- PB: Vibrant® Polished Brass
- Other: Refer to Price Book for additional colors/finishes

Accessories

- CP: Polished Chrome
- PB: Vibrant® Polished Brass
- NA: None applicable

Specified Model

Model	Description	Colors/Finishes			
K-8211-K	Lavatory faucet without handles	<input type="checkbox"/> CP	<input type="checkbox"/> PB		
K-8211-4	Lavatory faucet with lever handles	<input type="checkbox"/> CP	<input type="checkbox"/> PB	<input type="checkbox"/> Other_____	
Required Accessories (includes Two Handles)					
K-16070-4	Lever handles OR	<input type="checkbox"/> CP	<input type="checkbox"/> PB		
K-16070-4A	Swirl lever handles OR			<input type="checkbox"/> CP	<input type="checkbox"/> PB
K-16070-4C	Vandal-proof lever handles and aerator	<input type="checkbox"/> CP	<input type="checkbox"/> PB		

Product Specification

Two-handle widespread lavatory faucet shall be of brass construction. Faucet shall feature brass valve bodies. Faucet shall feature quarter-turn washerless ceramic disc valves. Faucet shall be rated at 2.0 gallons (7.5 L) per minute. Faucet shall have lower flow aerator options. Faucet shall include flexible connections for easy installation, 4-15/16" (12.5 cm) spout, and pop-up drain with lift rod and tailpiece. Base faucet shall be Kohler Model K-8211-K-_____ with Kohler Model K-16070-_____-_____ handles **OR** the complete faucet shall be Kohler Model K-8211-4-_____.

TABORET®

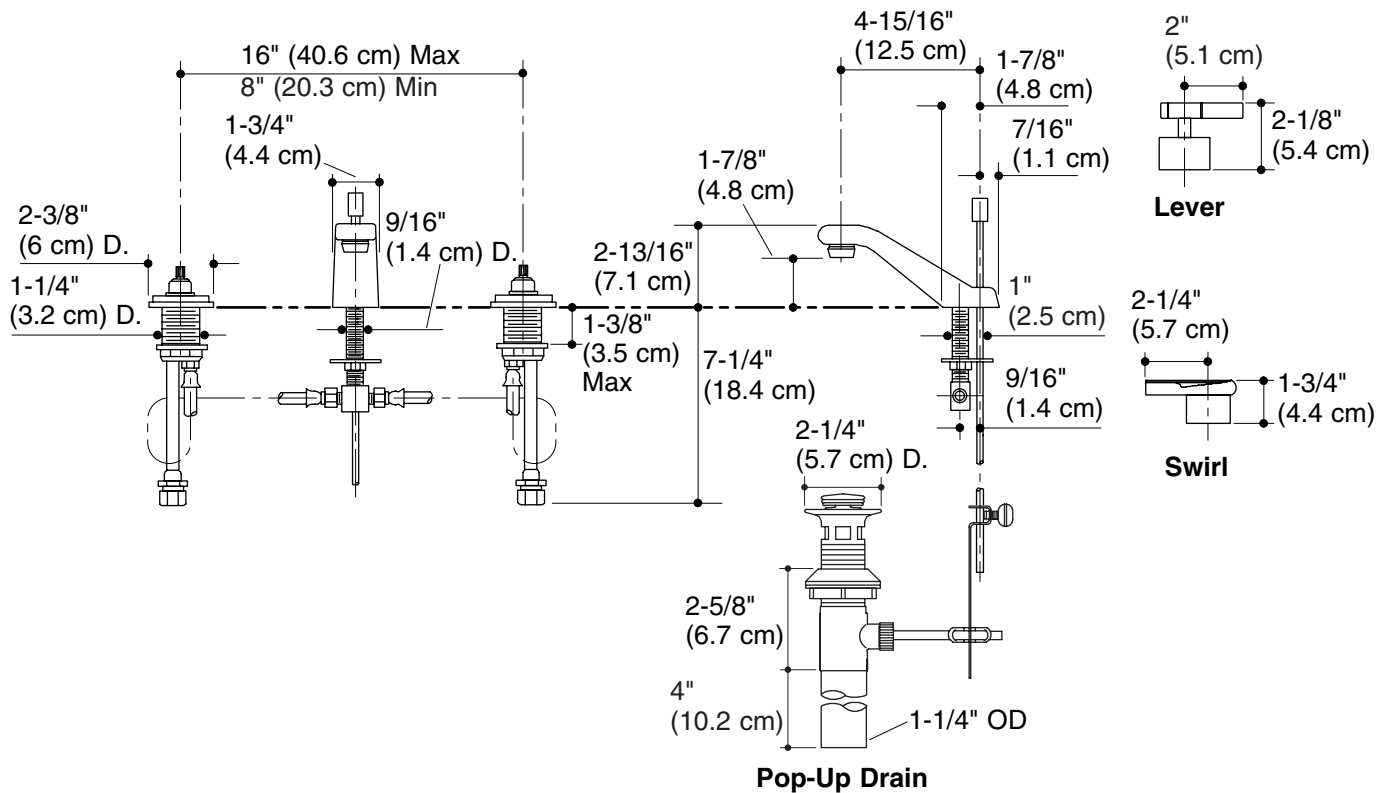
Optional Accessories

40003 Wrench for long-stemmed ceramic valve bodies

NA

Installation Notes

Install this product according to the installation guide.



Product Diagram