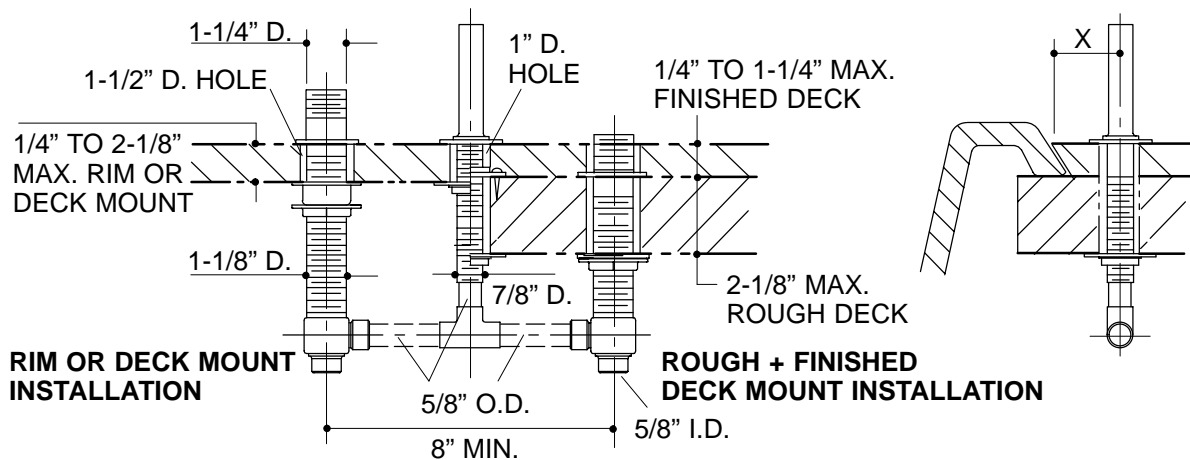


Ordering Information

Applicable product:	
1/2" valve system less rigid connections (shown)	K-15708-K-NA
1/2" valve system with rigid connections	K-15708-KR-NA



316

Roughing-In Notes

X= Distance from centerline of spout inlet to front of spout base plus 1/2".

For installations on a rough (unfinished) deck to be covered later with tile, tile thickness must not exceed 1-1/4".