

Features

- Metal construction
- One-piece, self-contained ceramic disc valve allows both volume and temperature control
- Temperature memory allows faucet to be turned on and off at any temperature setting
- High-temperature limit setting for added safety
- Metal throat plate
- 4-1/4" (108 mm) spout reach
- Stationary spout
- Grid drain with tailpiece
- Vandal-resistant aerator
- Available with flexible connections or ground joints
- 0.5 gallons (1.9 L) per minute flow rate

CENTERSET BATHROOM SINK FAUCET K-15597

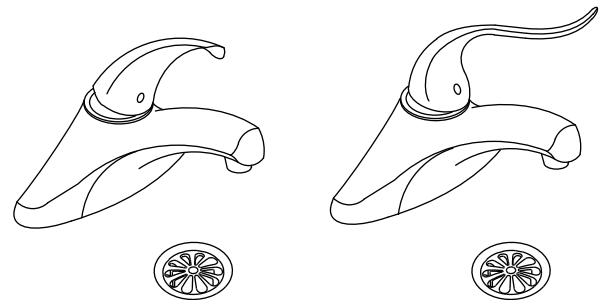
ADA CSA B651 OBC



Codes/Standards Applicable

Specified model meets or exceeds the following at date of manufacture:

- ADA
- ICC/ANSI A117.1
- CSA B651
- OBC
- ASME A112.18.1/CSA B125.1
- NSF 61
- All applicable US Federal and State material regulations
- EPA WaterSense®



K-15597-F
K-15597-P

K-15597-F5
K-15597-5P

Colors/Finishes

- CP: Polished Chrome

Specified Model

Model	Description	Colors/Finishes
K-15597-F	Centerset bathroom sink faucet – 3-1/4" (83 mm) lever handle and flexible connections	<input type="checkbox"/> CP
K-15597-P	Centerset bathroom sink faucet – 3-1/4" (83 mm) lever handle and ground joints	<input type="checkbox"/> CP
K-15597-F5	Centerset bathroom sink faucet – 5" (127 mm) lever handle and flexible connections	<input type="checkbox"/> CP
K-15597-5P	Centerset bathroom sink faucet – 5" (127 mm) lever handle and ground joints	<input type="checkbox"/> CP

Optional Accessories

1160594	Large Spray 0.35 gpm (1.32 lpm) – Insert only	<input type="checkbox"/> NA
_____	Additional flow options are available (refer to the Price Book)	<input type="checkbox"/> NA

Product Specification

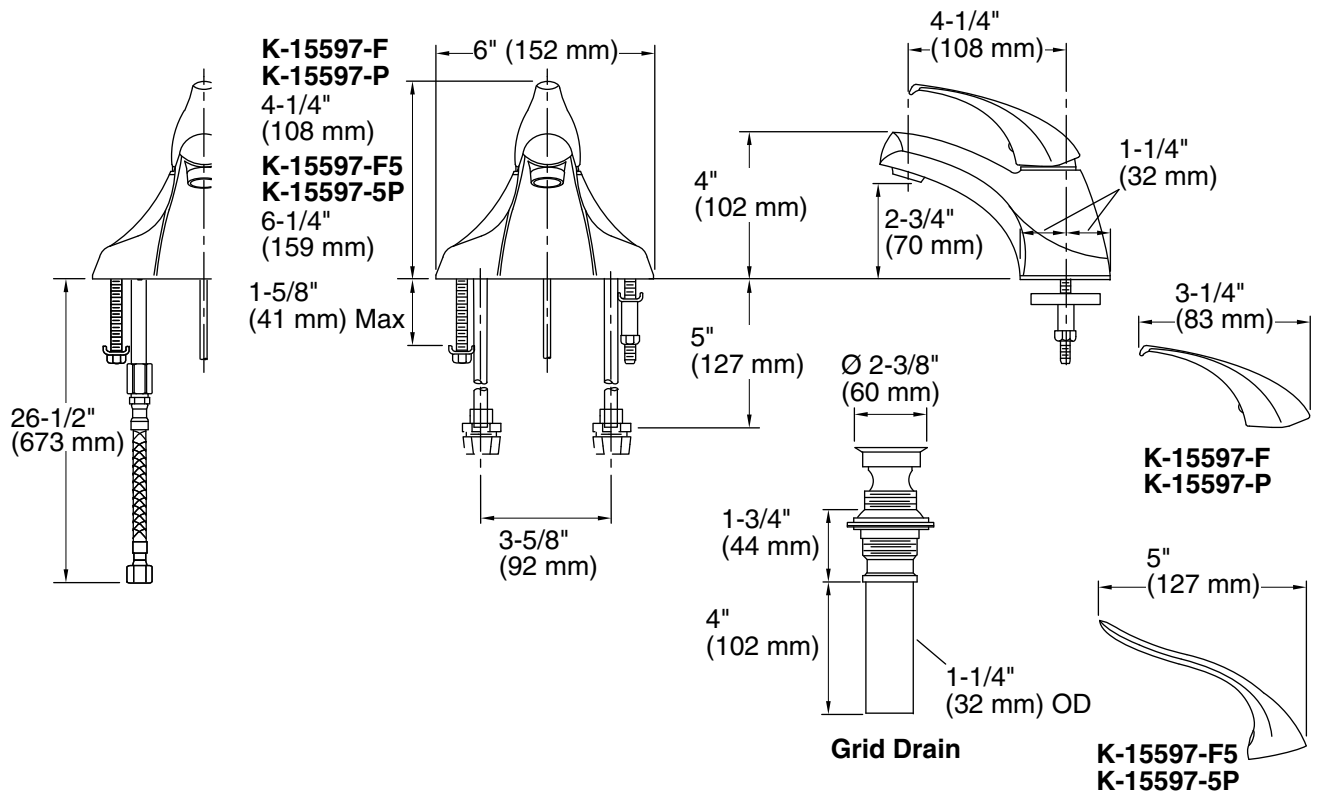
The single-handle centerset bathroom sink faucet shall be of metal construction. Product shall have a maximum flow rate of 0.5 gallons (1.9 L) per minute. Product shall feature a one-piece, self-contained ceramic disc valve, which allows both volume and temperature control. Product shall feature temperature memory, allowing the faucet to be turned on and off at any temperature setting, and includes a high-temperature limit stop for added safety. Product shall feature a 4-1/4" (108 mm) spout reach, stationary spout, metal throat plate, and pop-up drain with tailpiece. Product shall feature a vandal-resistant aerator. Product shall be for 4" (102 mm) centers. Product shall be available with flexible connections or ground joints. Faucet shall be Kohler Model K-15597-____-CP.

CORALAIS®

Installation Notes

Install this product according to the installation guide.

ADA, CSA B651, OBC compliant when installed to the specific requirements of these regulations.



Product Diagram