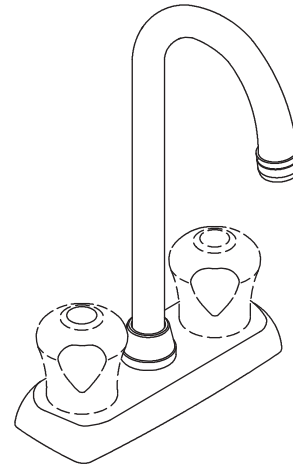


**BAR SINK FAUCET
K-15275**

Features

- Metal construction
- Reversible quarter-turn washerless ceramic disc valves
- 4" (102 mm) gooseneck spout reach
- Stationary gooseneck spout
- For 4" (102 mm) centers
- Available with sculptured acrylic or ADA compliant lever handles
- Lower flow aerator options are available (refer to the Kohler Price Book)
- 2.2 gpm (8.3 lpm) maximum flow rate



Codes/Standards Applicable



Specified model meets or exceeds the following:

- ADA
- ASME A112.18.1/CSA B125.1
- ICC/ANSI A117.1
- Energy Policy Act of 2005
- NSF 61
- All applicable US Federal and State material regulations

Colors/Finishes

- CP: Polished Chrome
- Other: Refer to Price Book for additional colors/finishes

Specified Model

| Model | Description | Sculptured Acrylic | | Lever ADA |
|-----------|-------------------------|---|---|---|
| | |  |  | |
| K-15275 | Bar sink faucet (shown) | <input type="checkbox"/> CP | <input type="checkbox"/> Other _____ | |
| K-15275-4 | Bar sink faucet | | | <input type="checkbox"/> CP |

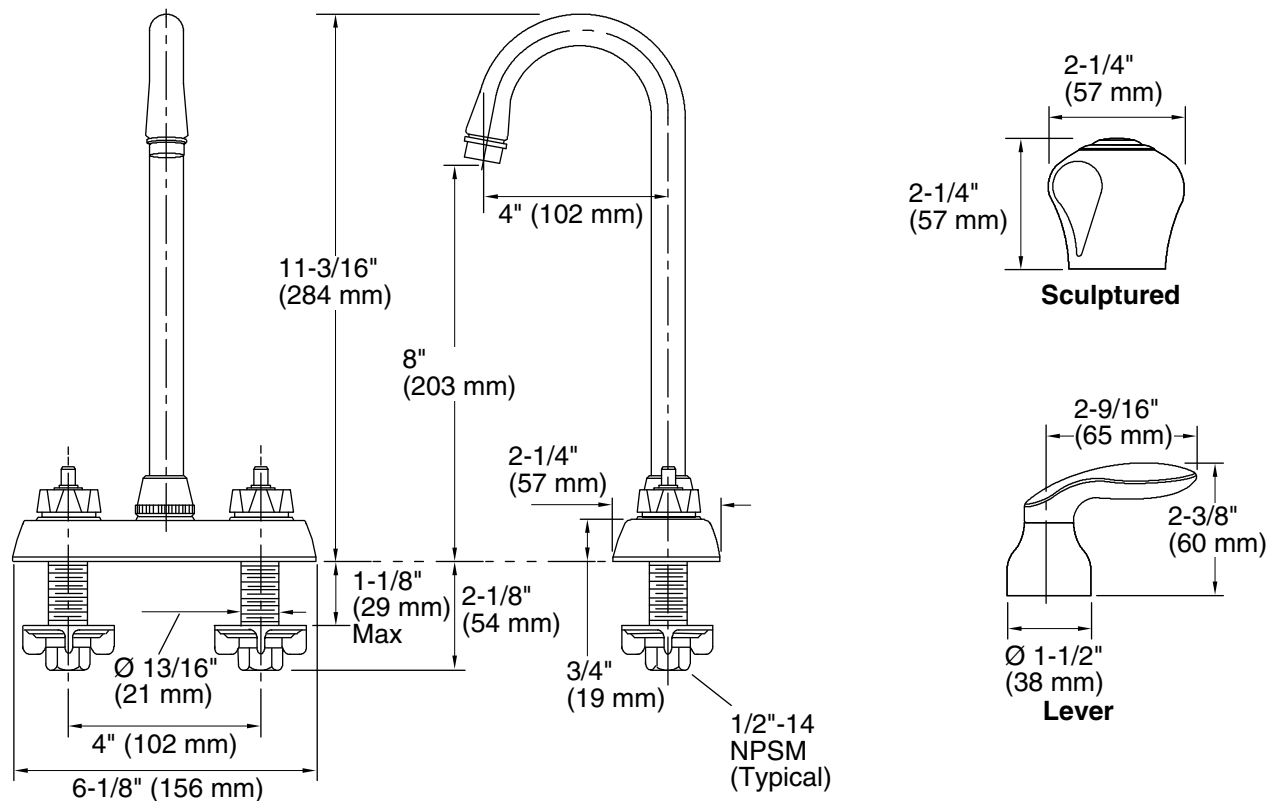
Product Specification

The two-handle centerset bar sink faucet shall be of metal construction. Product shall have a maximum flow rate of 2.2 gallons (8.3 L) per minute with lower flow aerator options available (refer to the Kohler Price Book). Product shall feature reversible quarter-turn washerless ceramic disc valves, a 4" (102 mm) gooseneck spout reach, and stationary gooseneck spout. Product shall be for 4" (102 mm) centers. Product shall be available with sculptured acrylic or ADA compliant lever handles. Faucet shall be Kohler Model K-15275-____ or K-15275-4-CP.

CORALAIS®

Installation Notes

Install this product according to the installation guide.



Product Diagram