

**KITCHEN SINK FAUCET  
K-15251**

ADA

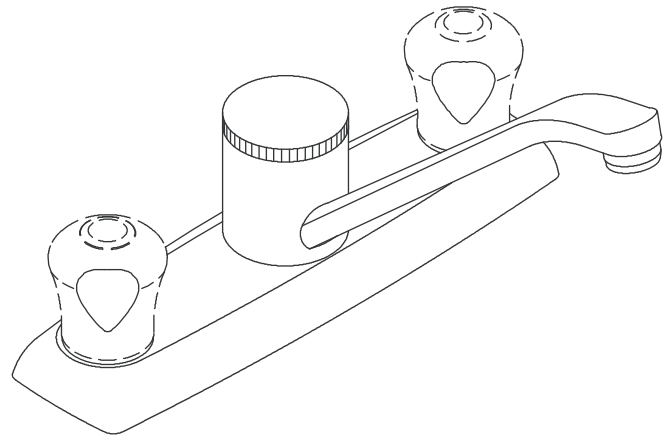
**Features**

- Metal construction
- Reversible quarter-turn washerless ceramic disc valves
- For 8" (203 mm) centers
- 7-5/8" (194 mm) swing spout reach
- Available with sculptured acrylic, blade, or lever handles
- Lower flow aerator options available (refer to the Kohler Price Book)
- 2.2 gallons (8.3 L) per minute maximum flow rate

**Codes/Standards Applicable**

Specified model meets or exceeds the following at date of manufacture:




- ADA
- ASME A112.18.1/CSA B125.1
- ICC/ANSI A117.1
- Energy Policy Act of 1992
- NSF 61
- All applicable US Federal and State material regulations




**Colors/Finishes**

- CP: Polished Chrome

**Specified Model**

Model	Description	Sculptured Acrylic	Blade	Lever
			 ADA	 ADA
K-15251	Kitchen sink faucet	<input type="checkbox"/> CP		
K-15251-B	Kitchen sink faucet		<input type="checkbox"/> CP	
K-15251-4	Kitchen sink faucet			<input type="checkbox"/> CP

Optional Accessories		
		
K-15280	12" (305 mm) swing spout with aerator	<input type="checkbox"/> CP

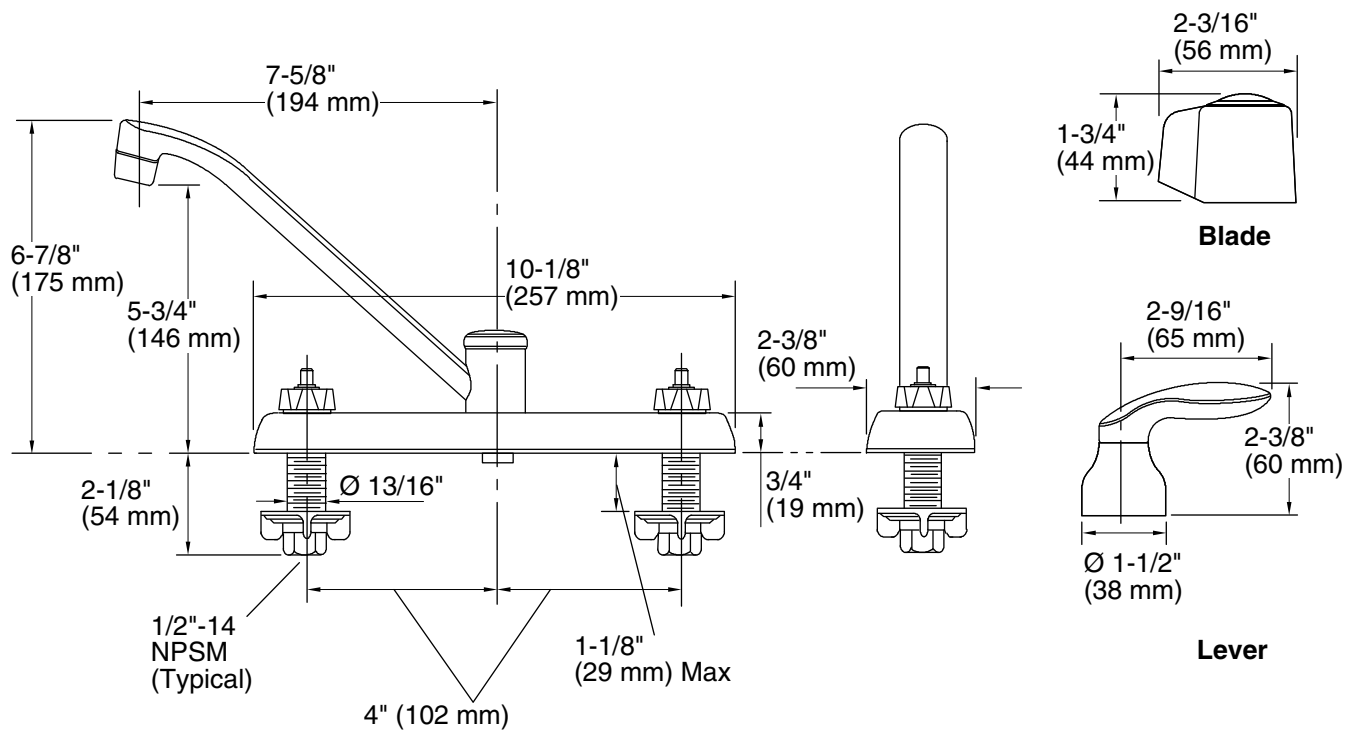
**Product Specification**

The two-handle kitchen sink faucet shall be of metal construction. Product shall have a maximum flow rate of 2.2 gallons (8.3 L) per minute with lower flow aerator options available (refer to the Kohler Price Book). Product shall feature reversible quarter-turn washerless ceramic disc valves and a 7-5/8" (194 mm) swing spout reach. Faucet shall be for 8" (203 mm) centers. Product shall be available with sculptured acrylic, blade, or lever handles. Faucet shall be Kohler Model K-15251-\_\_\_\_-CP.

# CORALAIS®

## Installation Notes

Install this product according to the installation guide.



## Product Diagram