

**Features**

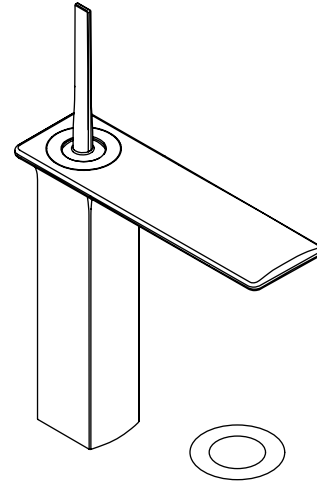
- Brass construction
- One-piece, self-contained ceramic disc joystick valve actuation allows both volume and temperature control
- Single-hole mounting
- Single-control
- Lever handle
- Flexible connections for easy installation
- 6-3/8" (16.2 cm) spout length
- Stationary spout
- Touch-activated drain with tailpiece and overflow
- 1.5 gpm (5.7 lpm) maximum flow rate

**Codes/Standards Applicable**

Specified model meets or exceeds the following at date of manufacture:

- ASME A112.18.1/CSA B125.1
- NSF 61
- Energy Policy Act of 1992
- All applicable US Federal and State material regulations

**SINGLE-CONTROL LAVATORY FAUCET  
K-14761**



**Colors/Finishes**

- CP: Polished Chrome
- Other: Refer to Price Book for additional colors/finishes

**Specified Model**

Model	Description	Colors/Finishes	
K-14761-4	Single-control lavatory faucet	<input type="checkbox"/> CP	<input type="checkbox"/> Other ____

**Product Specification**

The single-control lavatory faucet shall be made of brass construction. Product shall have a maximum flow rate of 1.5 gpm (5.7 lpm) per minute. Product shall feature a one-piece, self-contained ceramic disc joystick valve actuation which allows both volume and temperature control. Product shall feature flexible connections for easy installation, lever handle, 6-3/8" (16.2 cm) spout reach, stationary spout, and touch-activated drain with tailpiece and overflow. Product shall be for single-hole installation. Lavatory faucet shall be Kohler Model K-14761-4-\_\_\_\_\_.

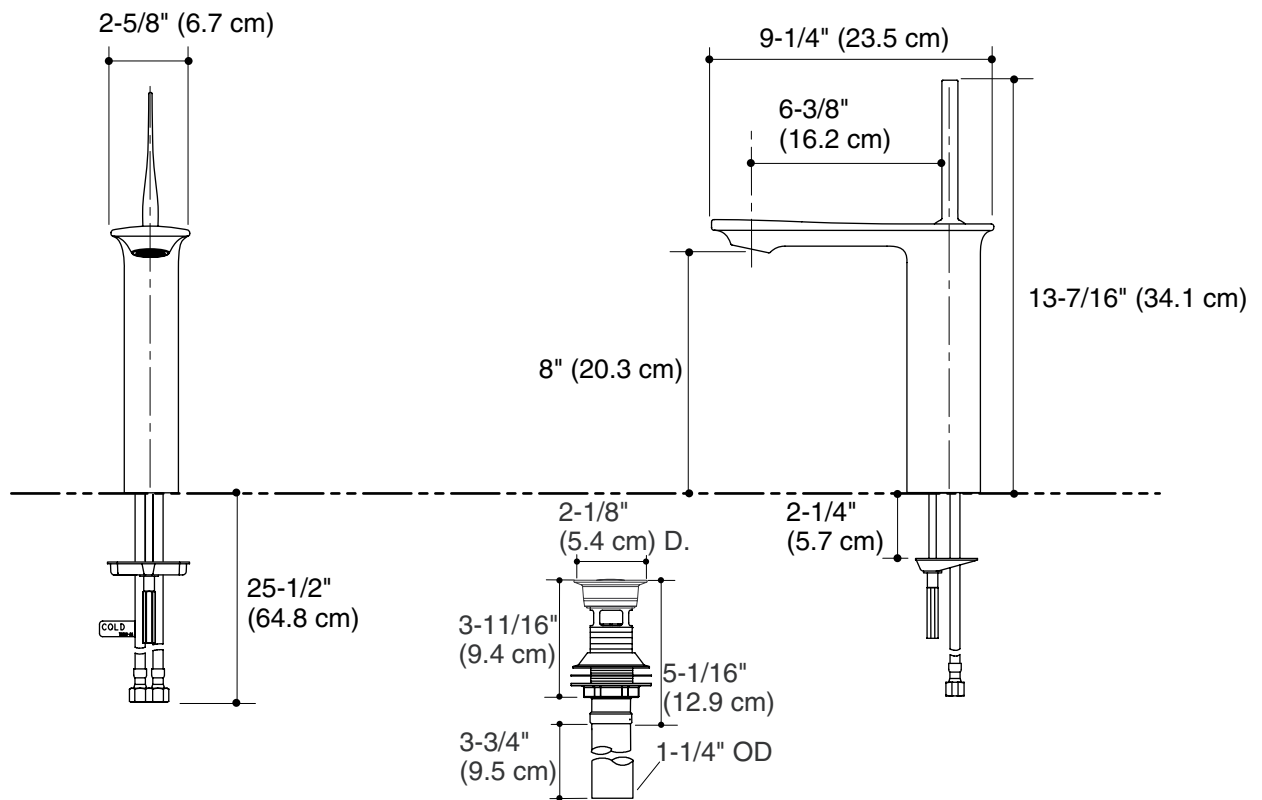
# STANCE™

## Technical Information

Included components:	
Touch-activated drain with tailpiece	1035625

## Installation Notes

Install this product according to the installation guide.



Touch-Activated Drain

## Product Diagram