

**SINGLE-CONTROL LAVATORY
FAUCET
K-14760**

ADA

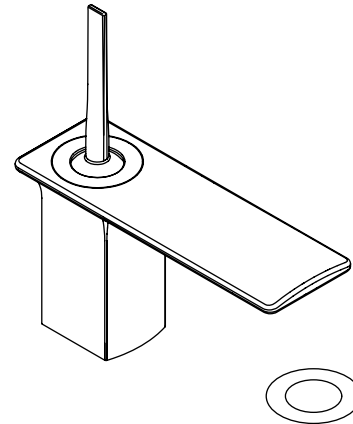
Features

- Brass construction
- One-piece, self-contained ceramic disc joystick valve actuation allows both volume and temperature control
- Single-hole mounting
- Single-control
- ADA compliant lever handle
- Flexible connections for easy installation
- 5-3/8" (13.7 cm) spout reach
- Stationary spout
- Touch-activated drain with tailpiece and overflow
- 1.5 gpm (5.7 lpm) maximum flow rate

Codes/Standards Applicable

Specified model meets or exceeds the following at date of manufacture:

- ADA
- ASME A112.18.1/CSA B125.1
- ICC/ANSI A117.1
- NSF 61
- Energy Policy Act of 1992
- All applicable US Federal and State material regulations



Colors/Finishes

- CP: Polished Chrome
- Other: Refer to Price Book for additional colors/finishes

Specified Model

Model	Description	Colors/Finishes	
K-14760-4	Single-control lavatory faucet	<input type="checkbox"/> CP	<input type="checkbox"/> Other ____

Product Specification

The single-control lavatory faucet shall be made of brass construction. Product shall have a maximum flow rate of 1.5 gpm (5.7 lpm) per minute. Product shall feature a one-piece, self-contained ceramic disc joystick valve actuation which allows both volume and temperature control. Product shall feature flexible connections for easy installation, ADA compliant lever handle, 5-3/8" (13.7 cm) spout reach, stationary spout, and touch-activated drain with tailpiece and overflow. Product shall be for single-hole installation. Lavatory faucet shall be Kohler Model K-14760-4-____.

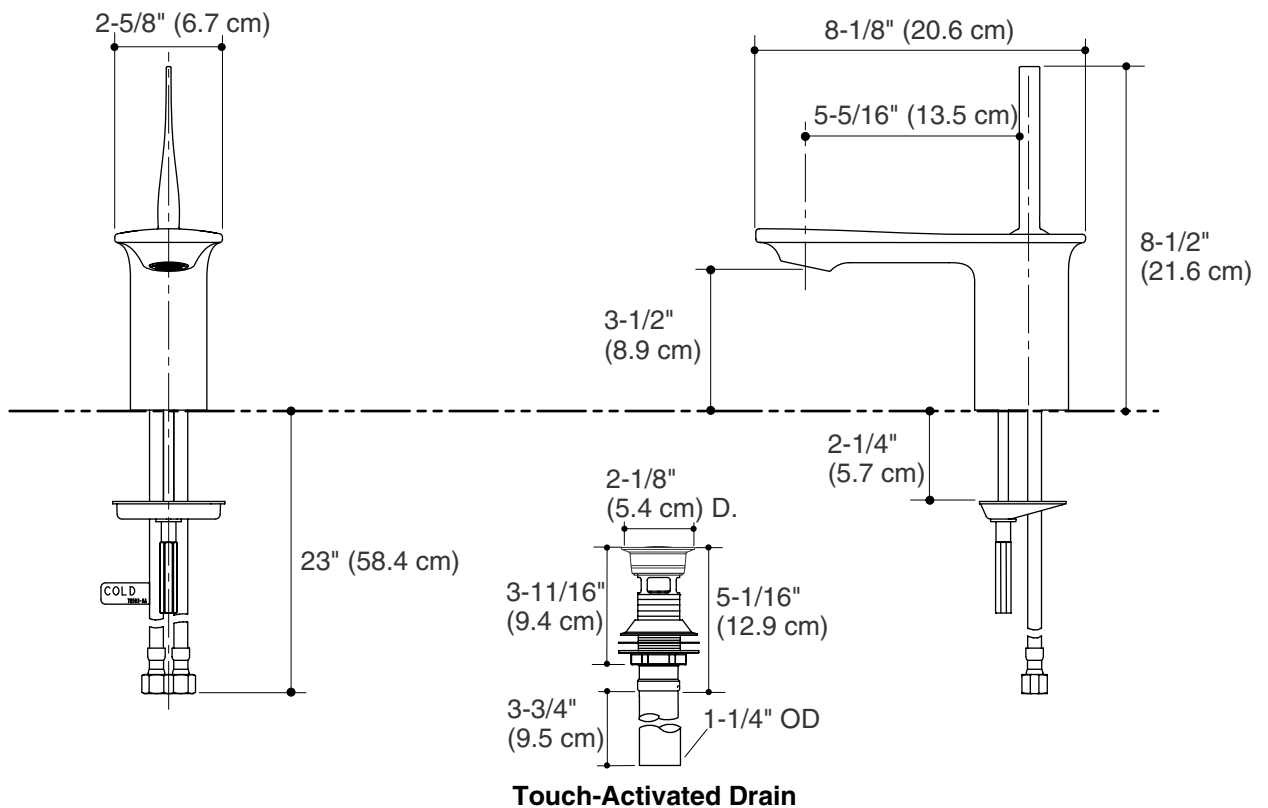
STANCE™

Technical Information

Included components:	
Touch-activated drain with tailpiece	1035625

Installation Notes

Install this product according to the installation guide.



Product Diagram