

Features

- Brass construction
- Brass valve bodies
- Quarter-turn washerless ceramic disc valves
- Flexible connections for easy installation
- Lever handles are ADA compliant
- For 8" (203 mm) or 16" (406 mm) centers
- Stationary spout
- 5-1/4" (133 mm) spout reach
- Touch-activated drain with tailpiece and overflow
- 1.5 gpm (5.7 lpm) maximum flow rate

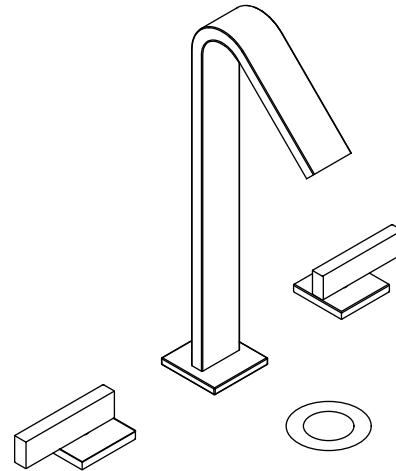
**WIDESPREAD BATHROOM SINK FAUCET
K-14662-4**



Codes/Standards Applicable

Specified model meets or exceeds the following at date of manufacture:

- ADA
- ASME A112.18.1/CSA B125.1
- ICC/ANSI A117.1
- Energy Policy Act of 1992
- All applicable US Federal and State material regulations
- NSF 61
- EPA WaterSense®



Colors/Finishes

- CP: Polished Chrome
- Other: Refer to Price Book for additional colors/finishes

Specified Model

Model	Description	Colors/Finishes	
K-14662-4	Widespread bathroom sink faucet	<input type="checkbox"/> CP	<input type="checkbox"/> Other_____

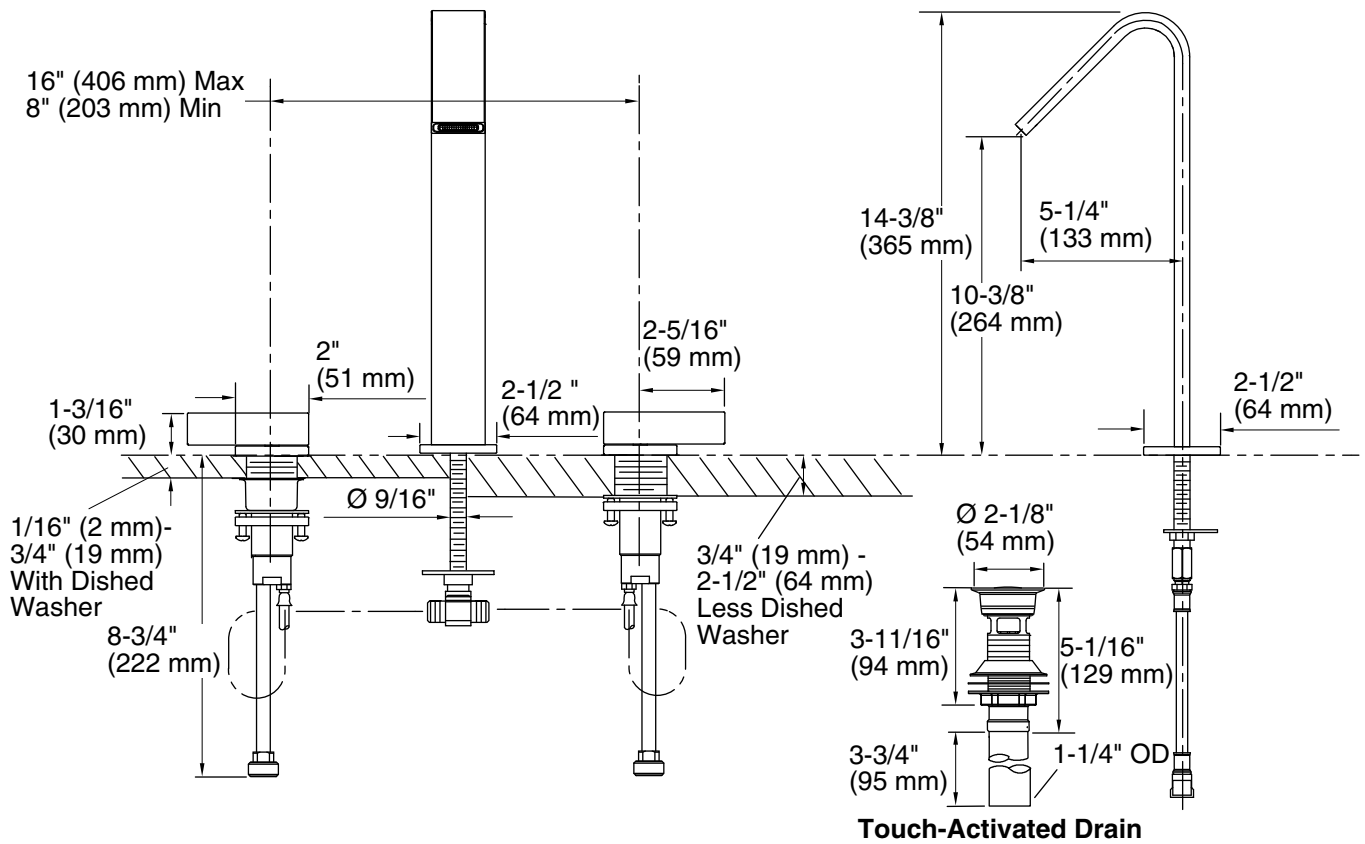
Product Specification

The two-handle widespread bathroom sink faucet shall be made of brass construction with brass valve bodies. Product shall have a maximum flow rate of 1.5 gallons (5.7 L) per minute. Product shall feature quarter-turn washerless ceramic disc valves, a 5-1/4" (133 mm) spout reach, and a stationary spout. Product shall be for 8" (203 mm) or 16" (406 mm) centers. Product shall feature ADA compliant lever handles. Product shall have flexible connections for easy installation, a touch-activated drain with tailpiece and overflow. Faucet shall be Kohler Model K-14662-4-_____.

LOURE™

Installation Notes

Install this product according to the installation guide.



Product Diagram