

Features

- Vitreous china
- Under-mount
- Without overflow
- Includes 52047 clamp assembly
- Available with KOHLER Artist Editions designs
- 14" (356 mm) diameter

UNDER-MOUNT BATHROOM SINK K-2349

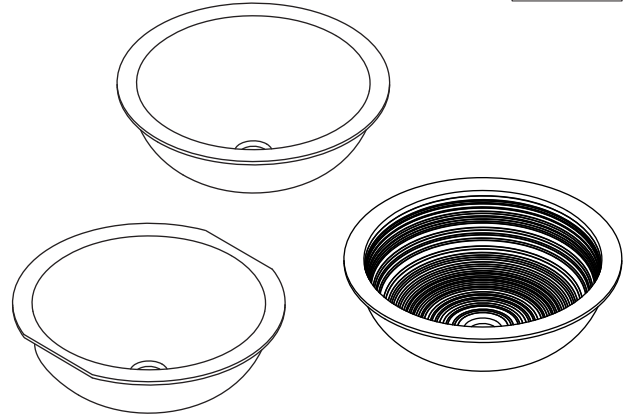
ALSO K-14026, K-14036, K-14046

ADA

Codes/Standards Applicable

Specified model meets or exceeds the following:

- ADA
- ASME A112.19.2/CSA B45.1
- ICC/ANSI A117.1



Colors/Finishes

- 0: White
- Other: Refer to Price Book for additional colors/finishes

Specified Model

Model	Description	Colors/Finishes	
		<input type="checkbox"/> 0	<input type="checkbox"/> Other _____
K-2349	Under-mount bathroom sink	<input type="checkbox"/> 0	<input type="checkbox"/> Other _____
K-14026	Under-mount bathroom sink with painted underside – Artist Editions		<input type="checkbox"/> Other _____
K-14036	Under-mount bathroom sink less painted underside – Artist Editions		<input type="checkbox"/> Other _____
K-14046	Under-mount bathroom sink with cut edges – Artist Editions		<input type="checkbox"/> Other _____
K-14287	Under-mount bathroom sink with or without glazed underside – Artist Editions	<input type="checkbox"/> 0	<input type="checkbox"/> Other _____
K-14298	Under-mount bathroom sink with decorative carving – Artist Editions	<input type="checkbox"/> 0	<input type="checkbox"/> Other _____

Product Specification

The under-mount vitreous china bathroom sink shall be 14" (356 mm) in diameter, with a 13-3/4" (349 mm) useable interior diameter. Bathroom sink shall be available with Artist Editions designs. Bathroom sink shall be without overflow. Bathroom sink shall include basin clamp assembly. Product shall be Kohler Model K-____-____ or K-____-____-____.

CAMBER®

Technical Information

Fixture*:	
Basin area	Ø 13-3/4" (349 mm)
Water depth	5" (127 mm)
Drain hole	Ø 1-3/4" (32 mm)
* Approximate measurements for comparison only.	

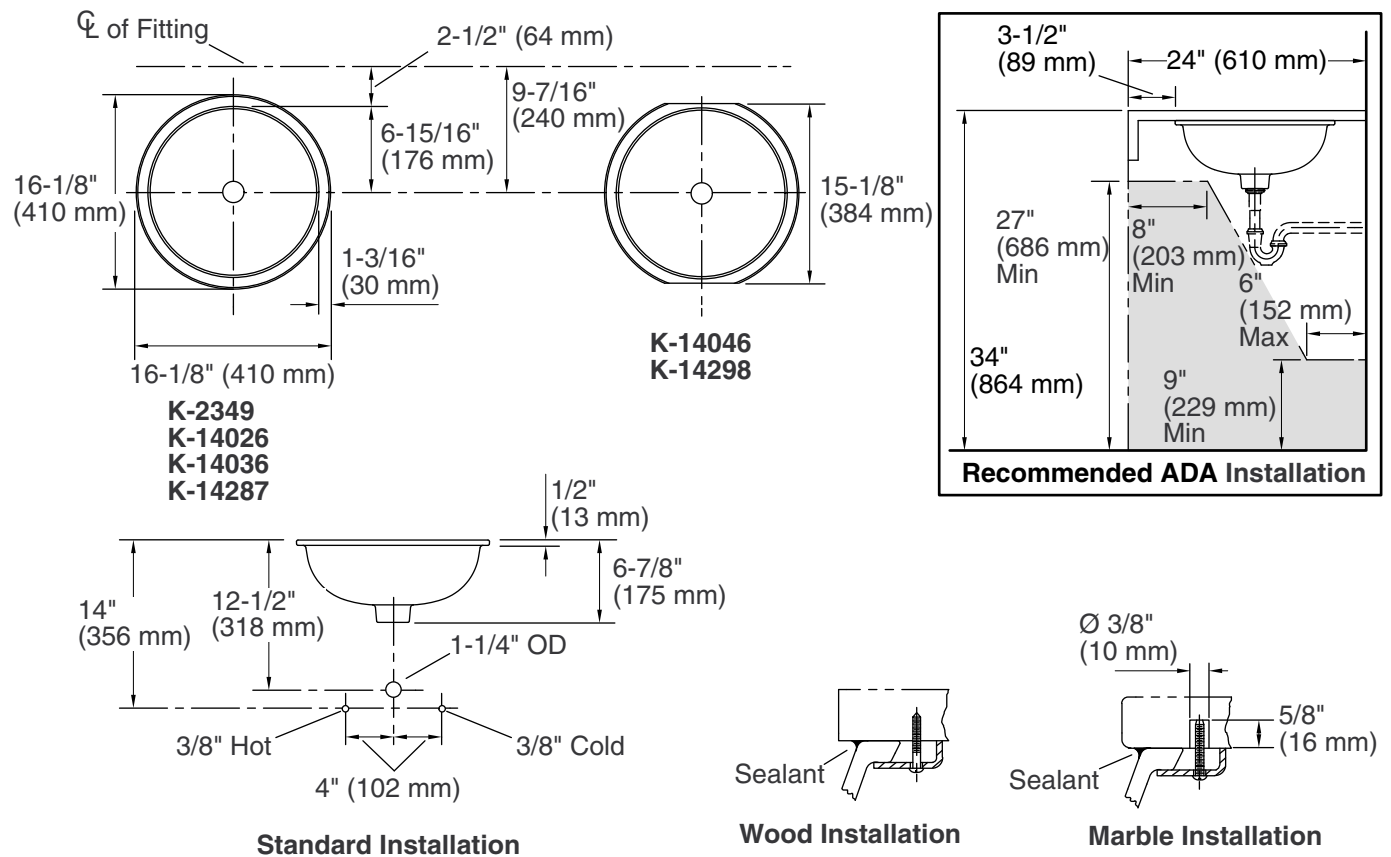
Included components:	
Basin clamp assembly	52047
Cut-out template	1035896-7

Installation Notes

Install this product according to the installation guide.

Supplied basin clamp assemblies require 1" (25 mm) minimum countertop thickness. Installer must supply anchors for thinner countertops.

NOTICE: Countertop manufacturer or cutter must use the cut-out template provided with the product, or a current one provided by Kohler (call 1-800-4-KOHLER). Kohler is not responsible for cutout errors when incorrect cut-out template is used.



Product Diagram