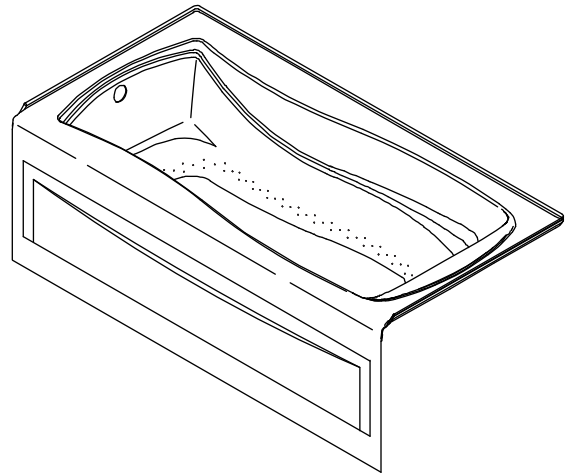


Features

- Acrylic
- Integral apron with removable access panel
- Integral tile flange
- Left or right drain
- 120 BubbleMassage™ airjets
- Blower with electronic control
- Blower motor is supplied with a grounding-type plug-in cord
- Optional K-1491 removable bath pillow
- Optional K-1601 removable footstop
- UL listed
- 72" (1829 mm) x 36" (914 mm) x 20" (508 mm)

6' BUBBLEMASSAGE™ BATH WITH INTEGRAL APRON K-1257-GLA ALSO K-1257-GRA



Codes/Standards Applicable

Specified model meets or exceeds the following:

- UL 1795
- ASTM E162
- ASTM E662
- CSA B45.5/IAPMO Z124
- ASME A112.19.7

Colors/Finishes

- 0: White
- Other: Refer to Price Book for additional colors/finishes

Accessories

- CP: Polished Chrome
- PB: Vibrant® Polished Brass
- NA: None applicable

Specified Model

Model	Description	Colors/Finishes	
K-1257-GLA	Bubblemassage bath with integral apron – left drain	<input type="checkbox"/> 0	<input type="checkbox"/> Other_____
K-1257-GRA	Bubblemassage bath with integral apron – right drain	<input type="checkbox"/> 0	<input type="checkbox"/> Other_____

Recommended Accessories

K-7166-AF	Adjustable pop-up drain	<input type="checkbox"/> CP	<input type="checkbox"/> PB	<input type="checkbox"/> Other_____
-----------	-------------------------	-----------------------------	-----------------------------	-------------------------------------

Optional Accessories

K-1446	Remote blower installation kit			NA
K-1491	Removable pillow	<input type="checkbox"/> 0	<input type="checkbox"/> Other_____	
K-1601	Removable footstop	<input type="checkbox"/> 0	<input type="checkbox"/> Other_____	

Product Specification

The acrylic bath shall be 72" (1829 mm) in length, 36" (914 mm) in width, and 20" (508 mm) in height. Bath shall have an integral apron with removable access panel, and an integral tile flange. Bath shall have a blower with an electronic user control; blower motor shall have a grounding-type plug-in cord. Bath shall have 120 Bubblemassage airjets and a left or right drain. Bath shall have an optional K-1491 removable bath pillow, and an optional K-1601 removable footstop. Bath shall be UL listed. Bubblemassage bath shall be Kohler Model K-1257-____-____.

MARIPOSA®

Technical Information

Fixture*:				
Basin area:				
Bathing well	50" (1270 mm) x 24" (610 mm)			
Top area	65" (1651 mm) x 27" (686 mm)			
Weight	109 lbs (49.4 kg)			
To overflow:				
Water depth	14" (356 mm)			
Capacity	72 gal (272.5 L)			
* Approximate measurements for comparison only.				
Blower motor:	Heater	V	Hz	A
	300 W	120	60	5

Required Electrical Service

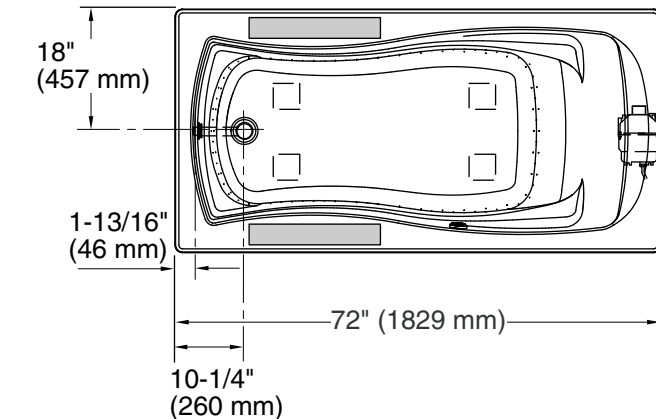
Dedicated circuit required, protected with Class A Ground-Fault Circuit-Interrupter (GFCI):	
Blower motor:	120 V, 15 A, 60 Hz
Blower motor is supplied with a 24" (610 mm) grounding-type plug-in cord.	

Installation Notes

Install this product according to the installation guide.

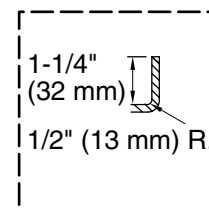
Floor support under the bath must provide for a minimum of 41 lbs/square foot (198 kg/square meter) loading.

If installing a rim-mount faucet, make sure there is no interference with drain overflow and circulating system before drilling any holes. Consult local and national codes for minimum air gap requirements if installing a spout on the faucet deck.

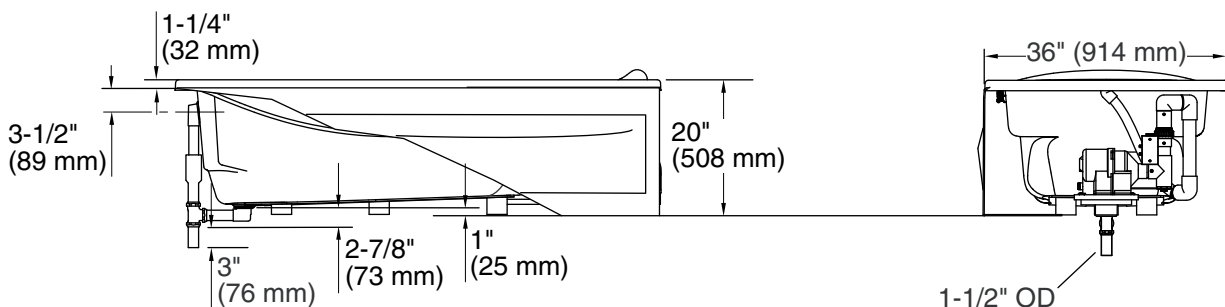


No change in measurements with drain shown. (K-7166-AF or K-7166M-AF)

■ Recommended faucet area.



Integral Flange Detail



Product Diagram