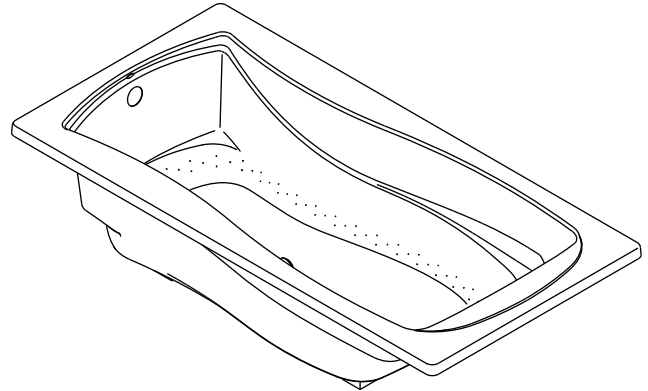


Features

- Acrylic
- Left or right drain
- 120 BubbleMassage™ airjets
- Textured bottom surface
- Drop-in [-G] or 3-side integral flange [-GLF, -GRF]
- 60" (1524 mm) x 35-7/8" (911 mm) x 20" (508 mm)

5' BUBBLEMASSAGE™ BATH K-1239-G ALSO K-1239-GLF, K-1239-GRF



Codes/Standards Applicable

Specified model meets or exceeds the following:

- ASTM E162
- ASTM E662
- UL 1795
- CSA B45.5/IAPMO Z124
- ASME A112.19.7/CSA B45.10

Colors/Finishes

- 0: White
- Other: Refer to Price Book for additional colors/finishes

Accessories

- CP: Polished Chrome
- PB: Vibrant® Polished Brass
- NA: None applicable
- Other: Refer to Price Book for additional colors/finishes

Specified Model

Model	Description	Colors/Finishes	
K-1239-G	5' Bubblemassage bath – drop-in (shown)	<input type="checkbox"/> 0	<input type="checkbox"/> Other_____
K-1239-GLF	5' Bubblemassage bath – 3-side integral flange, left drain	<input type="checkbox"/> 0	<input type="checkbox"/> Other_____
K-1239-GRF	5' Bubblemassage bath – 3-side integral flange, right drain	<input type="checkbox"/> 0	<input type="checkbox"/> Other_____

Recommended Accessories

K-7166-AF	Adjustable pop-up drain	<input type="checkbox"/> CP	<input type="checkbox"/> PB	<input type="checkbox"/> Other_____
-----------	-------------------------	-----------------------------	-----------------------------	-------------------------------------

Optional Accessories

K-1234	Removable apron	<input type="checkbox"/> 0	<input type="checkbox"/> Other_____	
K-1446	Remote blower installation kit			<input type="checkbox"/> NA
K-1491	Removable pillow	<input type="checkbox"/> 0	<input type="checkbox"/> Other_____	
K-1601	Removable footstop	<input type="checkbox"/> 0	<input type="checkbox"/> Other_____	

Product Specification

The acrylic Bubblemassage bath shall be 60" (1524 mm) in length, 35-7/8" (911 mm) in width, and 20" (508 mm) in height. Bath shall be for drop-in [-G] or 3-side integral flange [-GLF, -GRF]. Bath shall feature a textured bottom surface, 120 Bubblemassage airjets, and left or right drain. The Bubblemassage bath shall be Kohler Model K-1239-G-____ or K-1239-____-____.

MARIPOSA®

Technical Information

Fixture*:				
Bathing well:				
Basin area, bottom	46" (1168 mm) x 24" (610 mm)			
Basin area, top	54" (1372 mm) x 27" (686 mm)			
Weight	100 lbs (45.4 kg)			
To overflow:				
Water depth	14" (356 mm)			
Capacity	63 gal (238.5 L)			
* Approximate measurements for comparison only.				
Drop-in cut-out		58" (1473 mm) x 34" (864 mm)		
Blower motor:	Heater	V	Hz	A
	300 W	120	60	5

Required Electrical Service

Dedicated circuit required, protected with Class A Ground-Fault Circuit-Interrupter (GFCI):	
Blower motor:	120 V, 15 A, 60 Hz
Blower motor is supplied with a 24" (610 mm) grounding-type plug-in cord.	

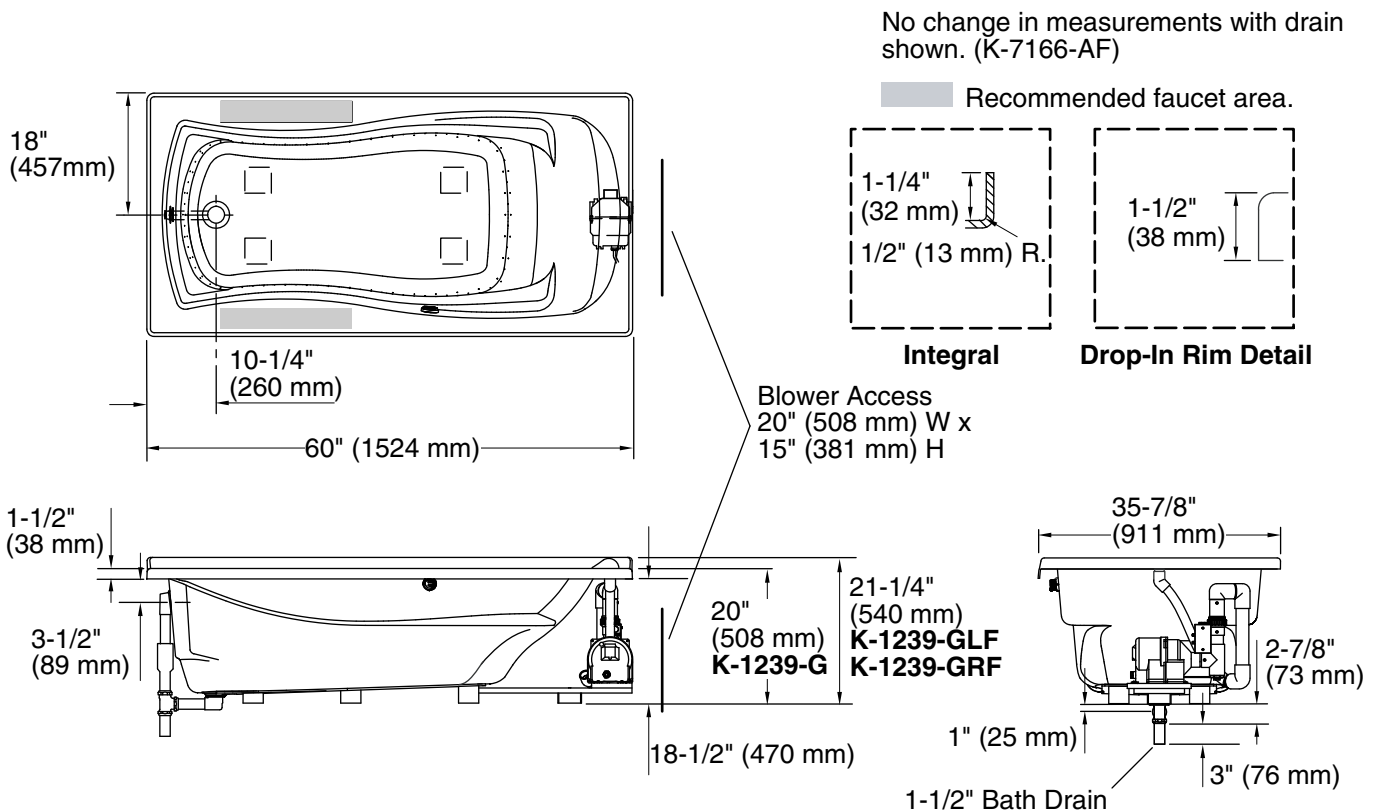
Installation Notes

Install this product according to the installation guide.

NOTICE: If the blower motor and check valve are relocated, two access panels are required. Locate one access panel at the blower motor/control location and the other at the control box. Locate the blower motor and check valve together.

Floor support under the bath must provide for a minimum of 43.5 lbs/square foot (212.6 kg/square meter) loading.

If used, the optional apron must be installed before the finished floor and wall materials are installed.



Product Diagram