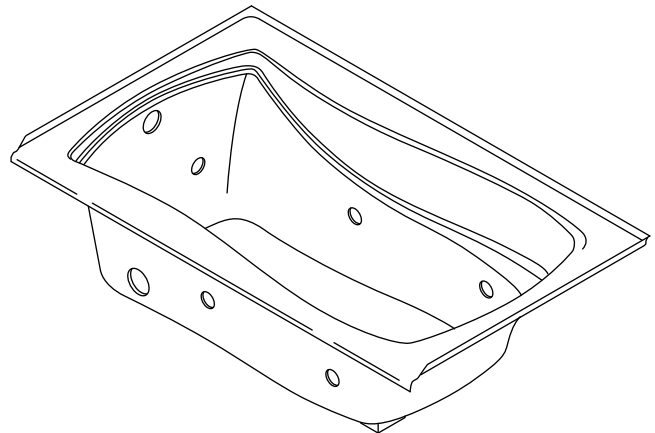


Features

- Acrylic
- Drop-in or three-wall alcove
- 5 individually adjustable ProFlex® hydro-massage jets
- Pump with air switch and grounding-type plug-in cord
- In-line heater
- Optional K-9695 metal finish 5 jet trim kit
- Optional K-1234 removable apron
- 66" (1676 mm) x 35-7/8" (911 mm) x 20" (508 mm)

BATH WHIRLPOOL WITH HEATER K-1224-H ALSO K-1224-LH, K-1224-RH



Codes/Standards Applicable

Specified model meets or exceeds the following:

- ASME A112.19.7
- ASTM E162
- ASTM E662
- UL 1795
- CSA B45.5/IAPMO Z124

Colors/Finishes

- 0: White
- Other: Refer to Price Book for additional colors/finishes

Accessories

- CP: Polished Chrome
- PB: Vibrant® Polished Brass
- Other: Refer to Price Book for additional colors/finishes

Specified Model

Model	Description	Colors/Finishes		
K-1224-H	Bath whirlpool with heater – drop-in	<input type="checkbox"/> 0	<input type="checkbox"/> Other _____	
K-1224-LH	Bath whirlpool with heater – 3-wall alcove, integral flange and left drain (shown)	<input type="checkbox"/> 0	<input type="checkbox"/> Other _____	
K-1224-RH	Bath whirlpool with heater – 3-wall alcove, integral flange and right drain	<input type="checkbox"/> 0	<input type="checkbox"/> Other _____	
Recommended Accessories				
K-7161-AF	Adjustable pop-up drain with tailpiece	<input type="checkbox"/> CP	<input type="checkbox"/> PB	<input type="checkbox"/> Other _____
Optional Accessories				
K-1234	Removable apron	<input type="checkbox"/> 0		<input type="checkbox"/> Other _____
K-9695	Metal finish 5 jet trim kit		<input type="checkbox"/> CP <input type="checkbox"/> PB	<input type="checkbox"/> Other _____

Product Specification

The acrylic bath whirlpool shall be 66" (1676 mm) in length, 35-7/8" (911 mm) in width, and 20" (508 mm) in height. Bath whirlpool shall be for drop-in or 3-wall alcove installation. Bath whirlpool shall have 5 individually adjustable ProFlex® hydro-massage jets, a pump with air switch and grounding-type plug-in cord, and an in-line heater. Bath whirlpool shall be available with an optional K-1234 removable apron and an optional K-9695 metal finish 5 jet trim kit. Bath whirlpool shall be Kohler Model K-1224-____-____.

MARIPOSA®

Technical Information

Fixture*:	
Bathing well:	
Basin area, bottom	48" (1219 mm) x 24" (610 mm)
Basin area, top	59" (1499 mm) x 30" (762 mm)
Weight	115 lbs (52.2 kg)
To overflow:	
Water depth	14" (356 mm)
Capacity	67 gal (253.6 L)
* Approximate measurements for comparison only.	

Drop-in cutout:	64" (1626 mm) x 34" (864 mm)
-----------------	------------------------------

Pump:	V	Hz	A	
1-speed	120	60	7.5	
Heater:	Kw	V	Hz	A
	1.5	120	60	12.5

Required Electrical Service

Two dedicated circuits required, each protected with Class A Ground-Fault Circuit-Interrupter (GFCI):	
Pump/control	120 V, 15 A, 60 Hz
Heater	120 V, 15 A, 60 Hz
Locate the outlets behind the whirlpool and within 24" (610 mm) of the pump and heater.	

Installation Notes

Install this product according to the installation guide.

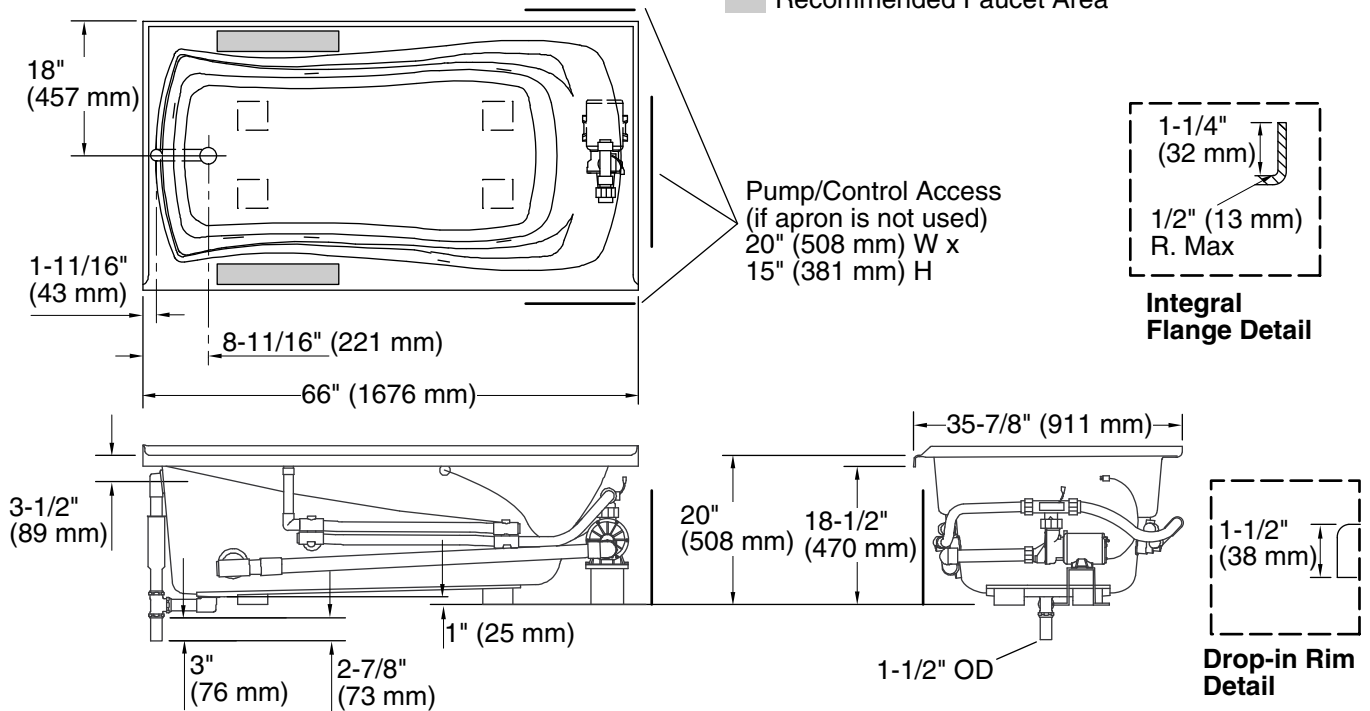
Floor support under whirlpool must provide for a minimum of 43 lbs/square foot (208 kg/square meter) loading.

If installing a rim-mount faucet, make sure there is no interference with the drain overflow and circulating system before drilling any holes. If installing a spout on the faucet deck, consult local and national codes for minimum air gap requirements.

The apron must be installed before the finished floor and wall materials are installed.

No change in measurements if connected with drain illustrated. (K-7161-AF or K-7161M-AF)

■ Recommended Faucet Area



Product Diagram