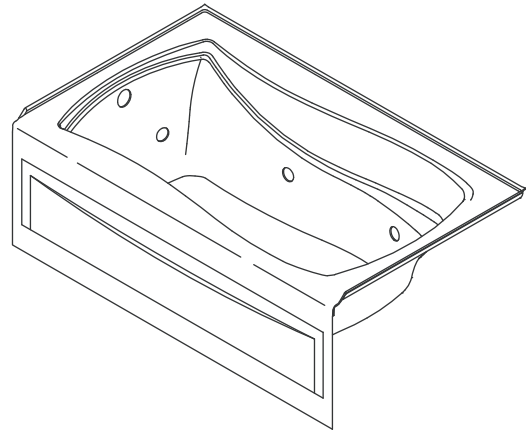


### Features

- Acrylic
- 5 individually adjustable ProFlex® hydro-massage jets
- Pump with air switch and grounding-type plug-in cord
- Integral apron with removable access panel
- Left or right drain
- Textured bottom surface
- Integral tile flange on three sides for alcove installation
- 66" (1676 mm) x 36" (914 mm) x 20" (508 mm)

### BATH WHIRLPOOL WITH INTEGRAL APRON

**K-1224-LA**  
ALSO K-1224-RA



### Codes/Standards Applicable

Specified model meets or exceeds the following:

- UL 1795
- CSA B45.5/IAPMO Z124
- ASME A112.19.7/CSA B45.10
- ASTM E162
- ASTM E662

### Colors/Finishes

- 0: White
- Other: Refer to Price Book for additional colors/finishes

### Accessories

- 0: White
- CP: Polished Chrome
- PB: Polished Brass
- Other: Refer to Price Book for additional colors/finishes

### Specified Model

Model	Description	Colors/Finishes	
K-1224-LA	Bath whirlpool with integral apron – left drain (shown)	<input type="checkbox"/> 0	<input type="checkbox"/> Other_____
K-1224-RA	Bath whirlpool with integral apron – right drain	<input type="checkbox"/> 0	<input type="checkbox"/> Other_____

Recommended Accessories				
K-7166-AF	Adjustable pop-up bath drain	<input type="checkbox"/> CP	<input type="checkbox"/> PB	<input type="checkbox"/> Other_____
K-7213	Clearflo bath cable drain with PVC tubing	<input type="checkbox"/> CP		<input type="checkbox"/> Other_____
K-7214	Clearflo bath cable drain without PVC tubing	<input type="checkbox"/> CP		<input type="checkbox"/> Other_____

### Product Specification

The acrylic bath whirlpool shall be 66" (1676 mm) in length, 36" (914 mm) in width, and 20" (508 mm) in height. Product shall have integral apron with removable access panel and integral tile flange on three sides for alcove installation. Product shall have a textured bottom surface and a drain at left or right. Product shall have 5 individually adjustable ProFlex hydro-massage jets, a pump with air switch and grounding-type plug-in cord. Bath whirlpool shall be Kohler Model K-1224-\_\_\_\_-\_\_\_\_.

# MARIPOSA®

## Optional Accessories

K-1234	Removable apron	<input type="checkbox"/> 0			<input type="checkbox"/> Other_____
K-9695	Metal finish 5 jet trim kit		<input type="checkbox"/> CP	<input type="checkbox"/> PB	<input type="checkbox"/> Other_____

## Technical Information

Fixture*:	
Basin area:	
Bathing well, bottom	48" (1219 mm) x 24" (610 mm)
Bathing well, top	59" (1499 mm) x 30" (762 mm)
Weight	110 lbs (49.9 kg)
To overflow:	
Water depth	14" (356 mm)
Capacity	67 gal (254 L)
* Approximate measurements for comparison only.	

Pump	V	Hz	A
1-speed	120	60	7.5

## Required Electrical Service

Dedicated circuit required, protected with a Class A Ground-Fault Circuit-Interrupter (GFCI).

Pump/control 120 V, 15A, 60 Hz

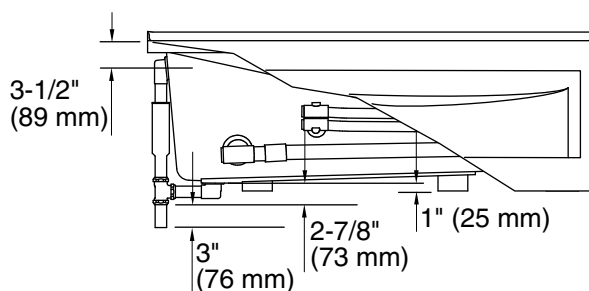
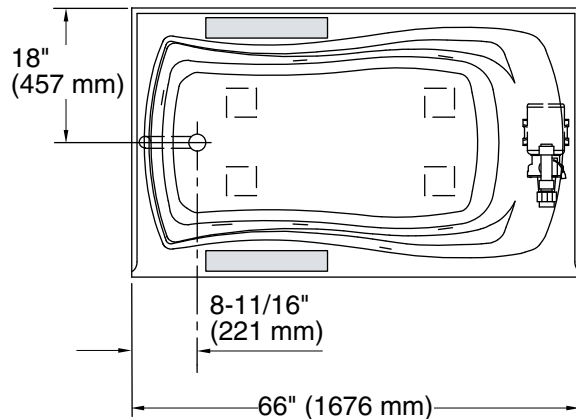
Locate the outlet behind the whirlpool and within 24" (610 mm) of the pump.

## Installation Notes

Install this product according to the installation guide.

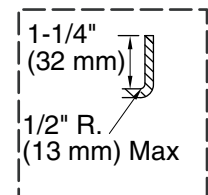
Floor support under whirlpool must provide for a minimum of 42 lbs/square foot (205 kg/square meter).

If installing a rim-mount faucet, make sure there is no interference with the drain overflow before drilling any holes. Consult local and national codes for minimum air gap requirements if installing a spout on the faucet deck.

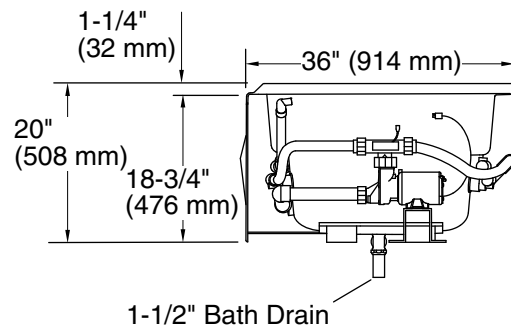


No change in measurements with drain shown. (K-7161-AF)

█ Recommended faucet area.



**Integral Flange Detail**



## Product Diagram