

Features

- Metal construction.
- One-piece, self-contained ceramic disc valve allows both volume and temperature control.
- Temperature memory allows faucet to be turned on and off at any temperature setting.
- High-temperature limit setting for added safety.
- 9" (229 mm) swing spout reach.
- Flexible connections for easy installation.
- Matching finish sidespray.
- 2.2 gal/min (8.3 l/min) maximum flow rate [max at 60 psi (4.14 bar)].



For complete listing of available colors, go to kohler.com.

ADA

Codes/Standards

ASME A112.18.1/CSA B125.1

NSF 61

NSF 372

ADA

ICC/ANSI A117.1

DOE - Energy Policy Act 1992

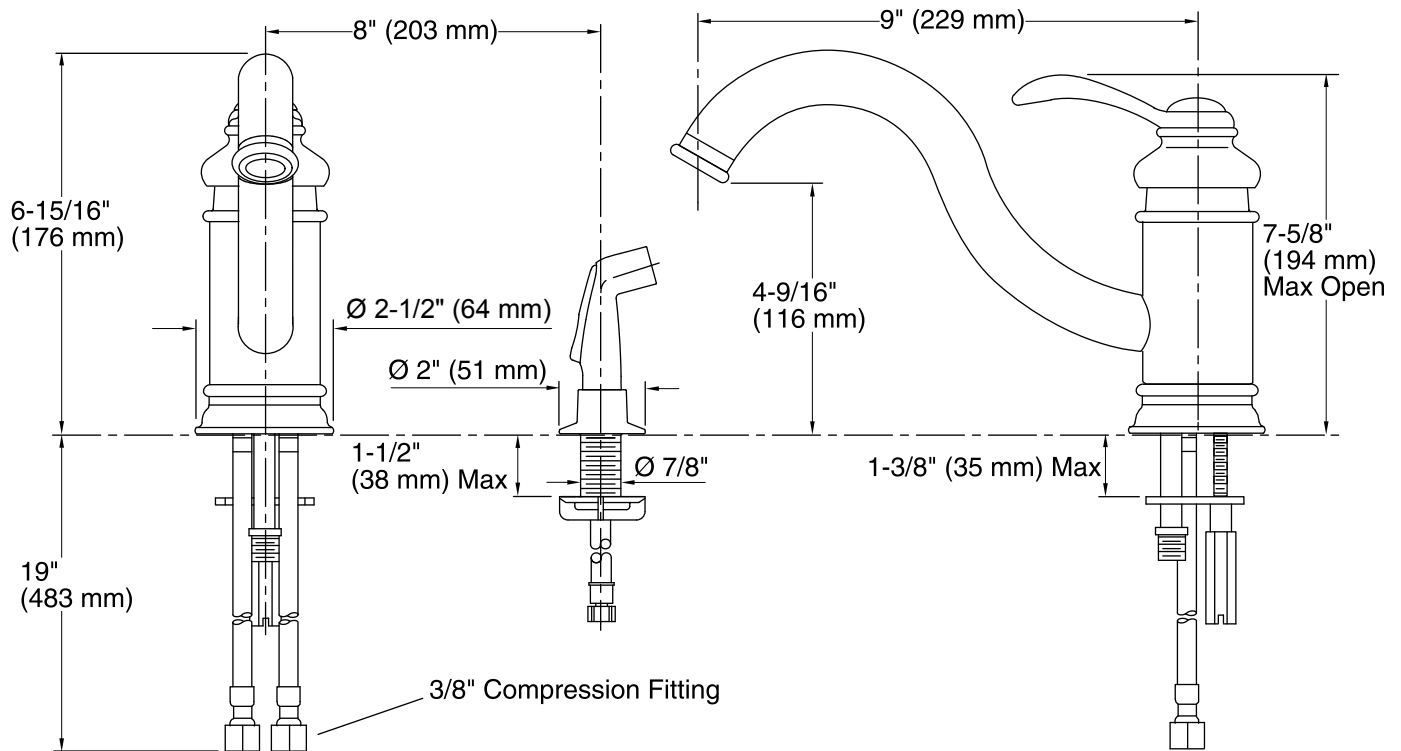
All applicable US Federal and State material regulations

KOHLER® Faucet Lifetime Limited Warranty

See website for detailed warranty information.

Product Specification

Kitchen sink faucet shall be 9" (229 mm) swing spout reach and 4-9/16" (116 mm) spout outlet height. Kitchen sink faucet shall be metal construction. Kitchen sink faucet shall be lever handle. Kitchen sink faucet shall be matching finish sidespray. Kitchen sink faucet shall be KOHLER Model K-12176.



Technical Information

All measurements are nominal.

Spout reach: 9" (229 mm)

Faucet:

Flow rate: 2.2 gal/min (8.3 l/min)

Pressure: 60 psi (4.1 bar)

Installation Notes

Install this product according to the installation guide.

ADA compliant when installed to the specific requirements of these regulations.