

Product Information

Mexico products have an M after the first sequence of numbers (such as K-12345 M).		
Fixture:	ADA compliant	
Weight	225 lbs. (102 kg)	
Configuration	1-piece	
Drain outlet	3-1/4" D. (8.3 cm)	
Accessories/hardware:		
Drain:	K-9132	recommended
Dome light	K-1665	optional

Installation Notes

Install this product according to the installation guide.

For optimum accessibility, specify faucets and fittings to install and operate within the control area shown.

For increased accessibility, utilize "pit" installation as detailed in instructions.

The fixture is not drilled for supply fittings.

Shimming may be required to level the fixture.

Stud opening tolerance + 1/4" (6 mm) - 0" (0 mm).

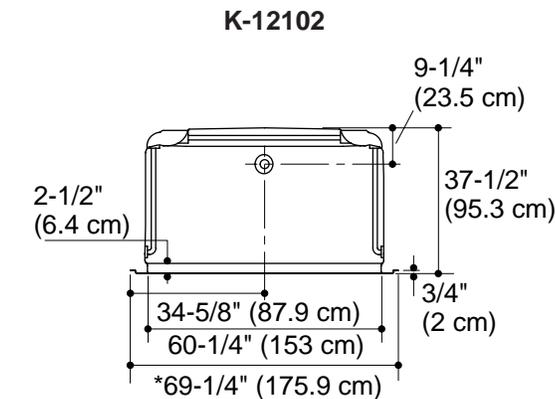
When fire rated construction is specified, dimensions are to the inside of the fire-rated wall.

Some shimming between stud frame and fixture may be required.

Provide clear floor space per ICC/ANSI A117.1 and as shown.

This unit will comply with the Americans with Disabilities Act when installed according to the requirements of the Accessibility Guidelines, Section 4.21 Shower Stalls, of the Act.

This fixture conforms to ANSI Standard Z124.2. All dimensions are nominal.



*Recess opening must be 69-1/2" (176.5 cm) x 84-1/4" (214 cm).	
	Represents control area for faucets
	Represents 24" (61 cm) wall mount slide bar.
	36" (91.4 cm) x 60" (152.4 cm) Represents clear floor space for 36" (91.4 cm) x 60" (152.4 cm) side entrance.
	48" (121.9 cm) x 60" (152.4 cm) Represents clear floor space for 48" (121.9 cm) x 60" (152.4 cm) front entrance.

