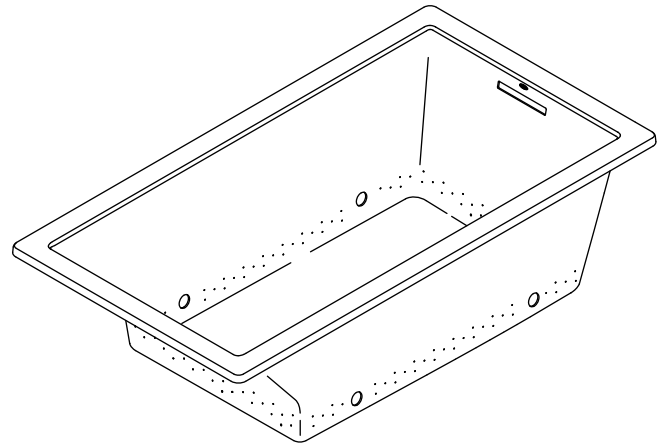


### Features

- Acrylic
- Blower motor with 300 W heater and electronic back-lit user control
- 122 BubbleMassage™ airjets
- Zones of Control™ concentrates massage at back, midsection, or feet
- 66" (1676 mm) x 36" (914 mm) x 22" (559 mm)

### 5.5' BUBBLEMASSAGE™ BATH K-1173-G ALSO K-1173-GCR



### Codes/Standards Applicable

Specified model meets or exceeds the following:

- CSA B45.5/IAPMO Z124
- ASME A112.19.7
- UL 1795
- ASTM E162
- ASTM E662

### Colors/Finishes

- 0: White
- Other: Refer to Price Book for additional colors/finishes

### Accessories

- 0: White
- CP: Polished Chrome
- Other: Refer to Price Book for additional colors/finishes
- NA: None applicable

### Specified Model

Model	Description	Colors/Finishes	
K-1173-G	5.5' BubbleMassage bath	<input type="checkbox"/> 0	<input type="checkbox"/> Other _____
K-1173-GCR	5.5' BubbleMassage bath with chromatherapy	<input type="checkbox"/> 0	<input type="checkbox"/> Other _____

#### Required Accessories

K-7271	Clearflo slotted overflow brass bath drain <b>OR</b>	<input type="checkbox"/> CP	<input type="checkbox"/> Other _____
K-7272	Clearflo slotted overflow bath drain – PVC pipe	<input type="checkbox"/> CP	<input type="checkbox"/> Other _____

#### Optional Accessories

K-591	Under-mount kit	N/A	
K-1491	Pillow		<input type="checkbox"/> 0 <input type="checkbox"/> Other _____
K-1601	Footstop		<input type="checkbox"/> 0 <input type="checkbox"/> Other _____

### Product Specification

The acrylic BubbleMassage bath shall be 66" (1676 mm) in length, 36" (914 mm) in width, and 22" (559 mm) in height. Bath shall have a blower motor with 300 W heater and electronic back-lit user control. Bath shall feature Zones of Control and 122 BubbleMassage airjets. Bath shall be Kohler Model K-1173-\_\_\_\_-\_\_\_\_

# UNDERScore®

## Optional Accessories (cont.)

K-1705	Remote control	N/A		
K-9498	3" (76 mm) whirlpool keypad trim		<input type="checkbox"/> CP	<input type="checkbox"/> Other_____

## Technical Information

Fixture*:	
Bathing well:	
Basin area, bottom	44-1/2" (1130 mm) x 26-1/2" (673 mm)
Basin area, top	60-1/4" (1530 mm) x 30-1/4" (768 mm)
Weight	105 lbs (47.6 kg)
To overflow:	
Water depth	17-3/4" (451 mm)
Capacity	102 gal (386 L)
* Approximate measurements for comparison only.	
Drop-in cut-out	65" (1651 mm) x 35" (889 mm)

Blower motor/control:	Heater	V	Hz	A
	300 W	220-240	50/60	3

## Required Electrical Service

Dedicated circuit required, protected with Class A Ground-Fault Circuit-Interrupter (GFCI) or Residual Current Device (RCD):

Blower motor/control	220-240 V, 15 A, 50/60 Hz
----------------------	---------------------------

## Installation Notes

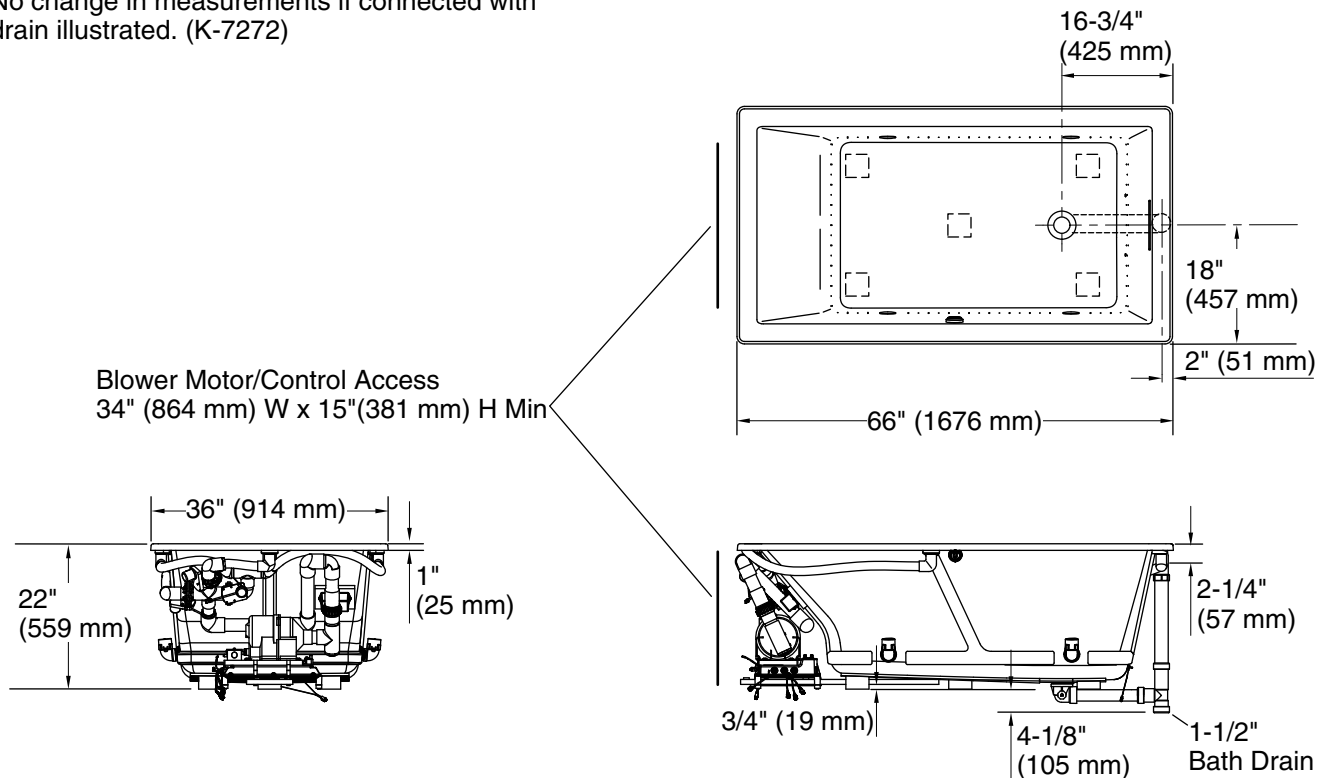
Install this product according to the installation guide.

Floor support under bath must provide for a minimum of 60 lbs/square foot (291 kg/square meter) loading.

Hot water supply should be 70% of capacity or greater. Installations will vary.

A blower motor/control access panel is required.

No change in measurements if connected with drain illustrated. (K-7272)



## Product Diagram