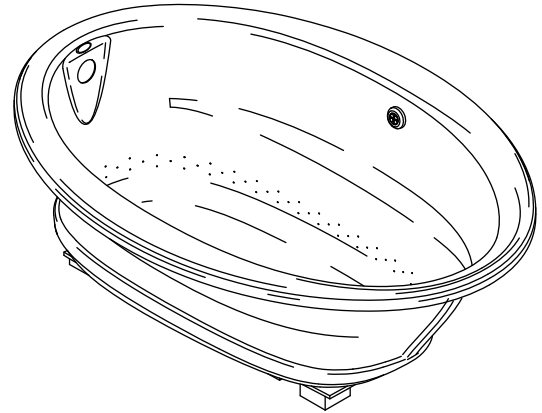


Features

- Acrylic
- Bask™ heated lumbar support with three temperature settings
- 120 BubbleMassage™ airjets
- Blower motor with 300 W heater and electronic user control
- Molded lumbar support and armrests for comfort
- Drop-in installation
- Reversible drain
- 60" (1524 mm) x 42" (1067 mm) x 21" (533 mm)

5' BUBBLEMASSAGE™ BATH WITH BASK™ K-1162-GW



Codes/Standards Applicable

Specified model meets or exceeds the following:

- CSA B45.5/IAPMO Z124
- UL 1795
- ASTM E162
- ASTM E662
- ASME A112.19.7/CSA B45.10

Colors/Finishes

- 0: White
- Other: Refer to Price Book for additional colors/finishes
- CP: Polished Chrome
- PB: Vibrant® Polished Brass

Specified Model

Model	Description	Colors/Finishes		
K-1162-GW	5' Bubblemassage bath with Bask	<input type="checkbox"/> 0	<input type="checkbox"/> Other_____	
Recommended Accessories				
K-576	Under-mount kit	<input type="checkbox"/> NA		
K-11677	Swiftflo™ adjustable trip lever drain		<input type="checkbox"/> CP	<input type="checkbox"/> PB

Product Specification

The acrylic bath shall be 60" (1524 mm) in length, 42" (1067 mm) in width, and 21" (533 mm) in height. Product shall feature Bask heated surface with three temperature settings. Bath shall have 120 BubbleMassage airjets and a blower motor with 300 W heater and electronic user control. Bath shall have molded lumbar supports and armrests for comfort. Bath shall be for drop-in installation. Bath shall have reversible drain. Bath shall be Kohler Model K-1162-GW-_____.

SUNWARD®

Technical Information

Fixture*:	
Bathing well:	
Basin area, bottom	43" (1092 mm) x 21-9/16" (548 mm)
Basin area, top	53-1/2" (1359 mm) x 32-1/8" (816 mm)
Weight	116 lbs (52.6 kg)
To overflow:	
Water depth	15" (381 mm)
Capacity	57 gal (215.9 L)
* Approximate measurements for comparison only.	

Included components:	
Cut-out template	1042556-7

	V	Hz	A
Blower motor	120	60	10
Heated surface	120	60	0.5

Required Electrical Service

Dedicated circuit required, protected with Class A Ground-Fault Circuit-Interrupter (GFCI) or Residual Current Device (RCD):

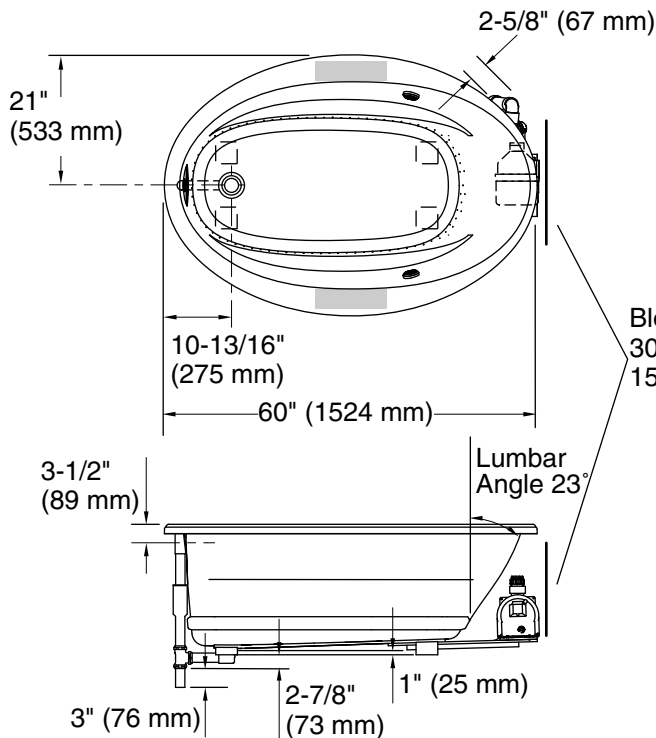
Blower motor/Heated surface	120 V, 15 A, 60 Hz
-----------------------------	--------------------

Installation Notes

Install this product according to the installation guide.

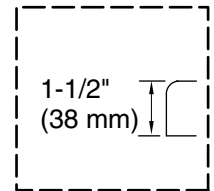
Floor support under bath must provide for a minimum of 35 lbs/square foot (171 kg/square meter) loading.

Locate a GFCI-protected 120 V, 15A, grounded duplex electrical outlet within 24" (610 mm) of the blower motor.



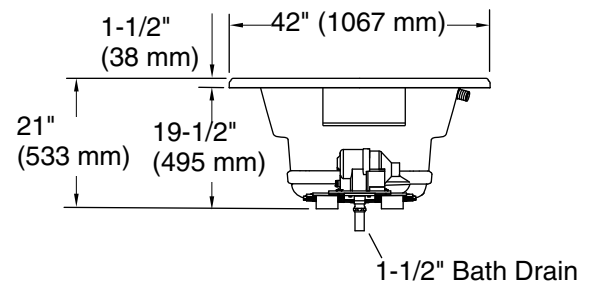
No change in measurements if connected with drain illustrated. (K-11677)

Recommended faucet area



Drop-In Rim Detail

Blower/Control Access
30" (762 mm) W x
15" (381 mm) H Min



Product Diagram