

KOHLER® Roughing-In

K-1157-H, K-1157-LH/-RH
PROFLEX® 7236

ACRYLIC BATH WHIRLPOOL WITH HEATER

Product Information

Applicable product:	
Bath whirlpool, drop-in	K-1157-H
Bath whirlpool, left drain hole, tile flange	K-1157-LH
Bath whirlpool, right drain hole, tile flange	K-1157-RH

Recommended accessories:	
Cable drain with PVC tubing OR	K-7213
Cable drain without PVC tubing OR	K-7214
Trip lever drain	K-11677

Fixture*:	
Basin area:	
Bathing well	55" (139.7 cm) x 21" (53.3 cm)
Top area	65" (165.1 cm) x 26" (66 cm)
To overflow:	
Water depth	15" (38.1 cm)
Capacity	72 gal (272.5 L)
Weight	71 lbs (32.2 kg)
Drop-in cut-out	70-1/2" (179.1 cm) x 34-1/2" (87.6 cm)
* Approximate measurements for comparison only.	

Pump:	Hp	V	Hz	A
1-speed	1.25	120	60	7.5
Heater:	kW	V	Hz	A
	1.5	120	60	12.5

Required Electrical Service

Two dedicated circuits required, each protected with Class A Ground-Fault Circuit-Interrupter (GFCI):

Pump/control 120 V, 15 A, 60 Hz

Heater: 120 V, 15 A, 60 Hz

Locate the outlets behind the whirlpool and within 24" (61 cm) of the pump.

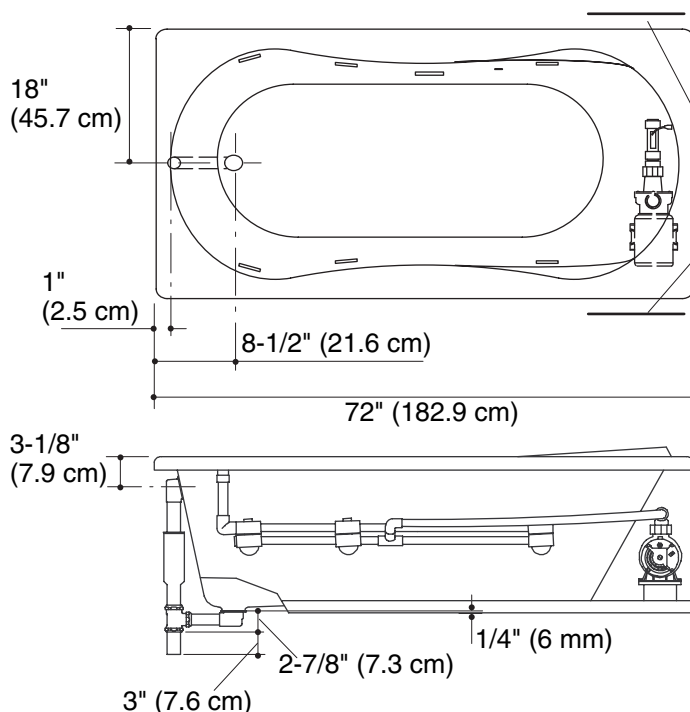
Installation Notes

Install this product according to the installation guide.

Floor support under whirlpool must provide for a minimum of 39 lbs/square foot (189 kg/square meter) loading.

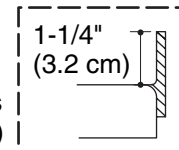
The apron must be installed before the finished floor and wall materials are installed.

Fixture conforms to ANSI Standard Z124.1.2. All dimensions are nominal.

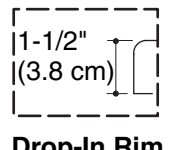


No change in measurements if connected with drain illustrated. (K-11677 or K-11677M)

Pump/Control Access
(If Apron Is Not Used)
20" (50.8 cm) W x
15" (38.1 cm) H



Tile Flange Detail



Drop-In Rim Detail

