

Features

- Metal construction
- Includes installation hardware
- ADA compliant when located and mounted into a structural support per ADA guidelines
- Available with traditional, transitional, or contemporary styling

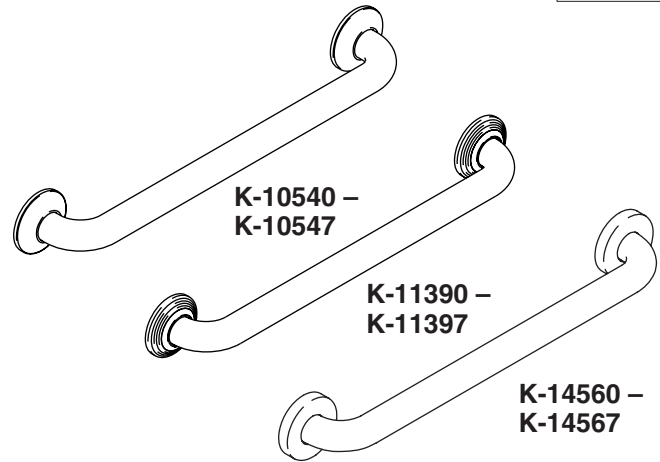
GRAB BAR K-10540

ADA

Codes/Standards Applicable

Specified model meets or exceeds the following:

- ADA



Colors/Finishes

- S: Polished Stainless Steel
- Other: Refer to Price Book for additional colors/finishes

Specified Model

Model	Description	Colors/Finishes	
Traditional Styling			
K-10540	12" (30.5 cm) grab bar	<input type="checkbox"/> S	<input type="checkbox"/> Other _____
K-10541	18" (45.7 cm) grab bar	<input type="checkbox"/> S	<input type="checkbox"/> Other _____
K-10542	24" (61 cm) grab bar	<input type="checkbox"/> S	<input type="checkbox"/> Other _____
K-10543	32" (81.3 cm) grab bar	<input type="checkbox"/> S	<input type="checkbox"/> Other _____
K-10544	36" (91.4 cm) grab bar	<input type="checkbox"/> S	<input type="checkbox"/> Other _____
K-10545	42" (106.7 cm) grab bar	<input type="checkbox"/> S	<input type="checkbox"/> Other _____
K-10546	48" (121.9 cm) grab bar	<input type="checkbox"/> S	<input type="checkbox"/> Other _____
K-10547	54" (137.2 cm) grab bar	<input type="checkbox"/> S	<input type="checkbox"/> Other _____
Transitional Styling			
K-11390	12" (30.5 cm) grab bar	<input type="checkbox"/> S	<input type="checkbox"/> Other _____
K-11391	18" (45.7 cm) grab bar	<input type="checkbox"/> S	<input type="checkbox"/> Other _____
K-11392	24" (61 cm) grab bar	<input type="checkbox"/> S	<input type="checkbox"/> Other _____
K-11393	32" (81.3 cm) grab bar	<input type="checkbox"/> S	<input type="checkbox"/> Other _____
K-11394	36" (91.4 cm) grab bar	<input type="checkbox"/> S	<input type="checkbox"/> Other _____
K-11395	42" (106.7 cm) grab bar	<input type="checkbox"/> S	<input type="checkbox"/> Other _____
Additional models listed on Page 2.			

Product Specification

Grab bar shall be of metal construction. Product shall include installation hardware. Product shall be ADA compliant when located and mounted into a structural support per ADA guidelines. Product shall be available with traditional, transitional, or contemporary styling. Product shall be Kohler Model K-_____-_____.



Transitional Styling (continued)			
K-11396	48" (121.9 cm) grab bar	<input type="checkbox"/> S	<input type="checkbox"/> Other _____
K-11397	54" (137.2 cm) grab bar	<input type="checkbox"/> S	<input type="checkbox"/> Other _____
Contemporary Styling			
K-14560	12" (30.5 cm) grab bar	<input type="checkbox"/> S	<input type="checkbox"/> Other _____
K-14561	18" (45.7 cm) grab bar	<input type="checkbox"/> S	<input type="checkbox"/> Other _____
K-14562	24" (61 cm) grab bar	<input type="checkbox"/> S	<input type="checkbox"/> Other _____
K-14563	32" (81.3 cm) grab bar	<input type="checkbox"/> S	<input type="checkbox"/> Other _____
K-14564	36" (91.4 cm) grab bar	<input type="checkbox"/> S	<input type="checkbox"/> Other _____
K-14565	42" (106.7 cm) grab bar	<input type="checkbox"/> S	<input type="checkbox"/> Other _____
K-14566	48" (121.9 cm) grab bar	<input type="checkbox"/> S	<input type="checkbox"/> Other _____
K-14567	54" (137.2 cm) grab bar	<input type="checkbox"/> S	<input type="checkbox"/> Other _____

Installation Notes

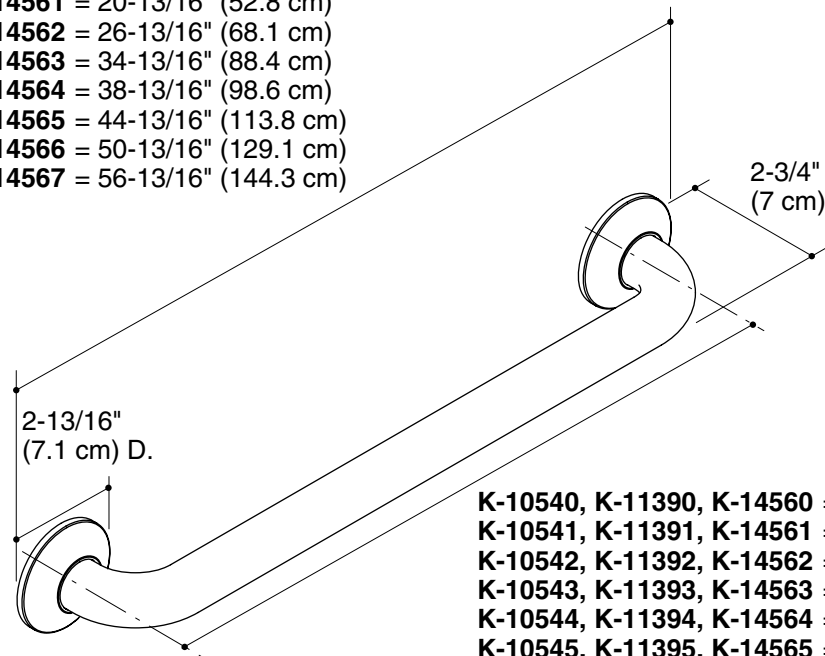


WARNING: Risk of personal injury. The wall plates on the grab bar must be mounted to a brace between the wall studs. Doing so will ensure that the weight of the user is adequately supported.

Install this product according to the installation guide.

The appearance of the product may differ from the product diagram. The dimensions still apply.

- K-10540, K-11390, K-14560 = 14-13/16" (37.6 cm)
- K-10541, K-11391, K-14561 = 20-13/16" (52.8 cm)
- K-10542, K-11392, K-14562 = 26-13/16" (68.1 cm)
- K-10543, K-11393, K-14563 = 34-13/16" (88.4 cm)
- K-10544, K-11394, K-14564 = 38-13/16" (98.6 cm)
- K-10545, K-11395, K-14565 = 44-13/16" (113.8 cm)
- K-10546, K-11396, K-14566 = 50-13/16" (129.1 cm)
- K-10547, K-11397, K-14567 = 56-13/16" (144.3 cm)



- K-10540, K-11390, K-14560 = 12" (30.5 cm)
- K-10541, K-11391, K-14561 = 18" (45.7 cm)
- K-10542, K-11392, K-14562 = 24" (61 cm)
- K-10543, K-11393, K-14563 = 32" (81.3 cm)
- K-10544, K-11394, K-14564 = 36" (91.4 cm)
- K-10545, K-11395, K-14565 = 42" (106.7 cm)
- K-10546, K-11396, K-14566 = 48" (121.9 cm)
- K-10547, K-11397, K-14567 = 54" (137.2 cm)

Product Diagram