

Features

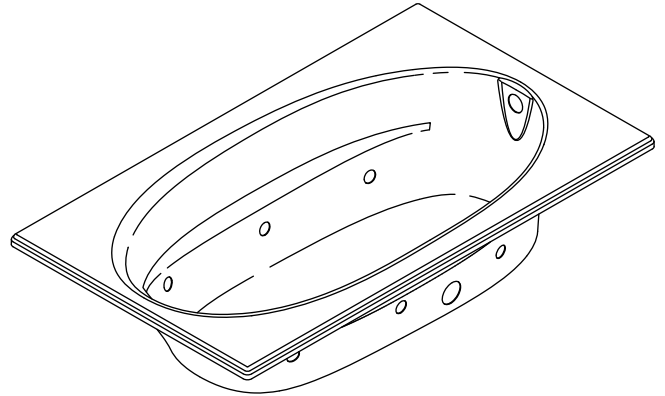
- Acrylic
- Rectangular shape
- Drop-in
- Pump with air switch and grounding-type plug-in cord
- 6 individually adjustable ProFlex® hydro-massage jets
- Molded lumbar supports and armrests
- In-line heater
- 60" (1524 mm) x 42" (1067 mm) x 21" (533 mm)

Codes/Standards Applicable

Specified model meets or exceeds the following:

- CSA B45.5/IAPMO Z124
- ASME A112.19.7
- ASTM E162
- ASTM E662
- UL 1795

BATH WHIRLPOOL WITH CUSTOM PUMP AND HEATER K-1112-HB



Colors/Finishes

- 0: White
- Other: Refer to Price Book for additional colors/finishes

Accessories

- CP: Polished Chrome
- Other: Refer to Price Book for additional colors/finishes

Specified Model

Model	Description	Colors/Finishes	
K-1112-HB	Bath whirlpool with custom pump and heater	<input type="checkbox"/> 0	<input type="checkbox"/> Other_____
Recommended Accessories			
K-7166	Adjustable pop-up drain – above or through-the-floor installation OR	<input type="checkbox"/> CP	<input type="checkbox"/> Other_____
K-11677	Adjustable trip lever drain – through-the-floor installation	<input type="checkbox"/> CP	<input type="checkbox"/> Other_____
Optional Accessories			
K-9696	Jet trim kit – metal finishes	<input type="checkbox"/> CP	<input type="checkbox"/> Other_____

Product Specification

The rectangular acrylic bath whirlpool shall be 60" (1524 mm) in length, 42" (1067 mm) in width, and 21" (533 mm) in height. Product shall have 6 individually adjustable ProFlex hydro-massage jets, pump with air switch and grounding-type plug-in cord, and an in-line heater. Product shall feature molded lumbar supports and armrests. Bath whirlpool shall be Kohler Model K-1112-HB-_____.

WINDWARD®

Technical Information

Fixture*:	
Bathing well:	
Basin area, bottom	43" (1092 mm) x 20-1/2" (521 mm)
Basin area, top	53-1/2" (1359 mm) x 32-1/8" (816 mm)
Weight	110 lbs (50 kg)
To overflow:	
Water depth	15" (381 mm)
Capacity	57 gal (215.9 L)
* Approximate measurements for comparison only.	

Drop-in cut-out dimensions:	
58-1/2" (1486 mm) x 40-1/2" (1029 mm)	

Pump:		V	Hz	A
1-speed		120	60	7.5
Heater	kW	V	Hz	A
	1.5	120	60	12.5

Required Electrical Service (2 required)

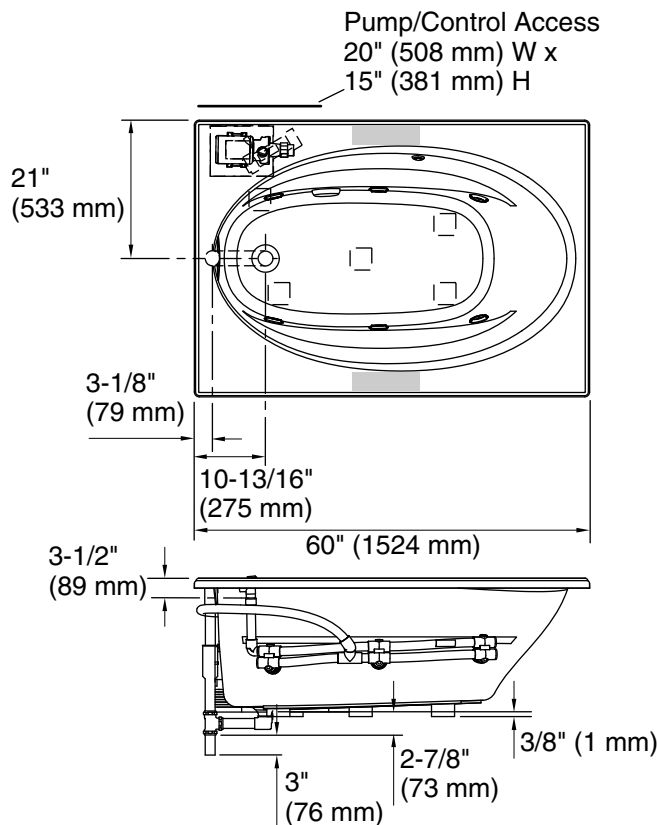
Two dedicated circuits required, both protected with a Class A Ground-Fault Circuit-Interrupter (GFCI):	
Pump/control	120 V, 15 A, 60 Hz
Heater	120 V, 15 A, 60 Hz
Locate the outlets behind the whirlpool and within 24" (610 mm) of the pump and, if supplied, heater.	

Installation Notes

Install this product according to the installation guide.

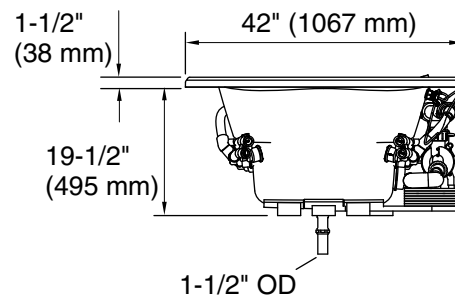
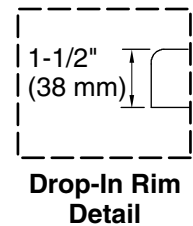
Floor support under the whirlpool must provide for a minimum of 35 lbs/square foot (170 kg/square meter) loading.

If installing a rim-mount faucet, make sure there is no interference with the drain overflow and circulating system before drilling any holes. Consult local and national codes for minimum air gap requirements if installing a spout on the faucet deck.



No change in measurements if connected with drain illustrated. (K-11677)

Recommended faucet area



Product Diagram