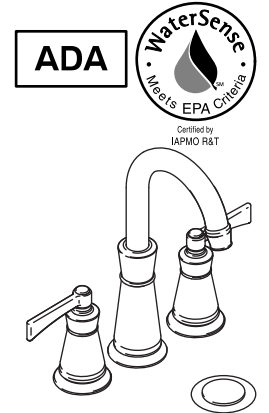


**Features**

- Metal construction
- Brass valve bodies
- Quarter-turn washerless ceramic disc valves
- Lever handles are ADA compliant
- Pop-up drain with tailpiece
- 4" (102 mm) spout reach
- Stationary spout
- For 8" (203 mm) or 16" (406 mm) centers
- 1.5 gallons (5.7 liters) per minute maximum flow rate

**WIDESPREAD BATHROOM SINK  
FAUCET  
K-11076**



**Codes/Standards Applicable**

Specified model meets or exceeds the following at date of manufacture:

- ADA
- ASME A112.18.1/CSA B125.1
- NSF 61
- Energy Policy Act of 2005
- EPA WaterSense®
- All applicable US Federal and State material regulations

**Colors/Finishes**

- CP: Polished Chrome
- Other: Refer to Price Book for additional colors/finishes

**Specified Model**

Model	Description	Color/Finish	
K-11076	Widespread bathroom sink faucet	<input type="checkbox"/> CP	<input type="checkbox"/> Other _____

<b>Optional Accessories</b>
Additional flow options are available (refer to the Kohler Price Book)

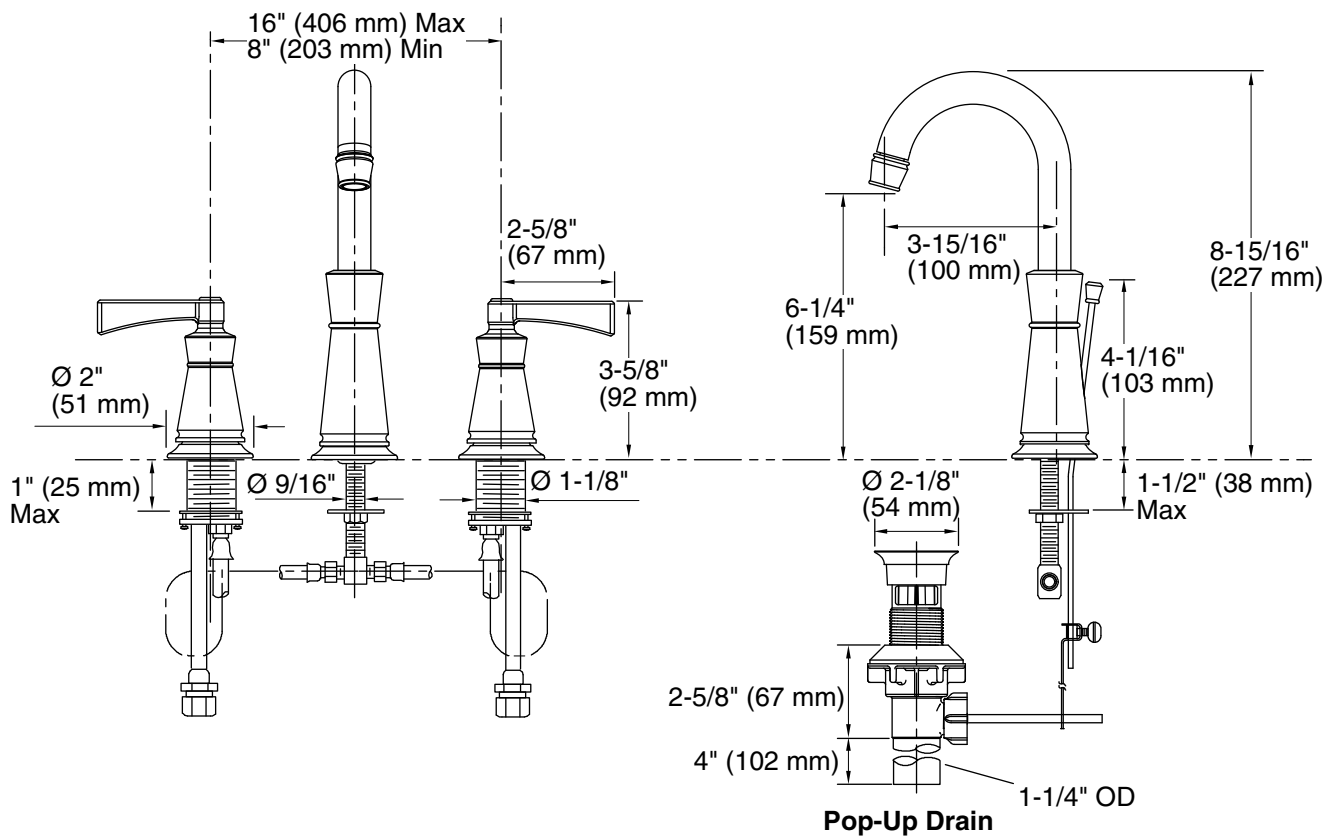
**PRODUCT SPECIFICATION**

The two-handle widespread bathroom sink faucet shall be of metal construction with brass valve bodies. Product shall have a maximum flow rate of 1.5 gallons (5.7 liters) per minute. Product shall feature quarter-turn washerless ceramic disc valves. Product shall be for 8" (203 mm) or 16" (406 mm) centers. Product shall feature a 4" (102 mm) spout reach, stationary spout, a pop-up drain with tailpiece, and lever handles which are ADA compliant. Faucet shall be Kohler Model K-11076-\_\_\_\_\_.

# ARCHER™

## Installation Notes

Install this faucet following the installation instructions provided.



## Product Diagram