

Features

- Brass construction
- Fixture-mount design
- Includes four 1.5 V AA batteries
- Electronic infrared sensor with TriPoint™ technology for accurate activation
- Intended for toilet installations with 1-1/2" spud coupling connection
- Retrofit models require a control stop and vacuum breaker
- 1.28 gpf (4.85 lpf) flush flow rate for low water consumption (K-10956 and K-10669)
- 1.6 gpf (6 lpf) flush flow rate (K-10957 and K-10962)
- Slow-closing piston technology

Codes/Standards Applicable

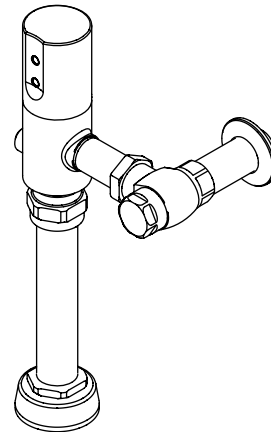
Specified model meets or exceeds the following:

- ADA
- ICC/ANSI A117.1
- CSA B651
- OBC
- CSA B125.3
- ASME A112.18.1/CSA B125.1
- ASSE 1037
- FCC 47, Part 15
- CAN/CSA-CEI/IEC CISPR 22:02
- EN 55022
- CSA B64

**EXPOSED FLUSH VALVE
K-10956**

ALSO K-10957, K-10962, K-10669

ADA **CSA B651** **OBC**



Colors/Finishes

- CP: Polished Chrome

Specified Model:

Model	Description	Colors/Finishes
K-10669	Exposed flush valve – 1.28 gpf (4.85 lpf) with TriPoint™ technology, retrofit	<input type="checkbox"/> CP
K-10956	Exposed flush valve – 1.28 gpf (4.85 lpf) with TriPoint technology	<input type="checkbox"/> CP
K-10957	Exposed flush valve – 1.6 gpf (6 lpf) with TriPoint technology	<input type="checkbox"/> CP
K-10962	Exposed flush valve – 1.6 gpf (6 lpf) with TriPoint technology, retrofit	<input type="checkbox"/> CP

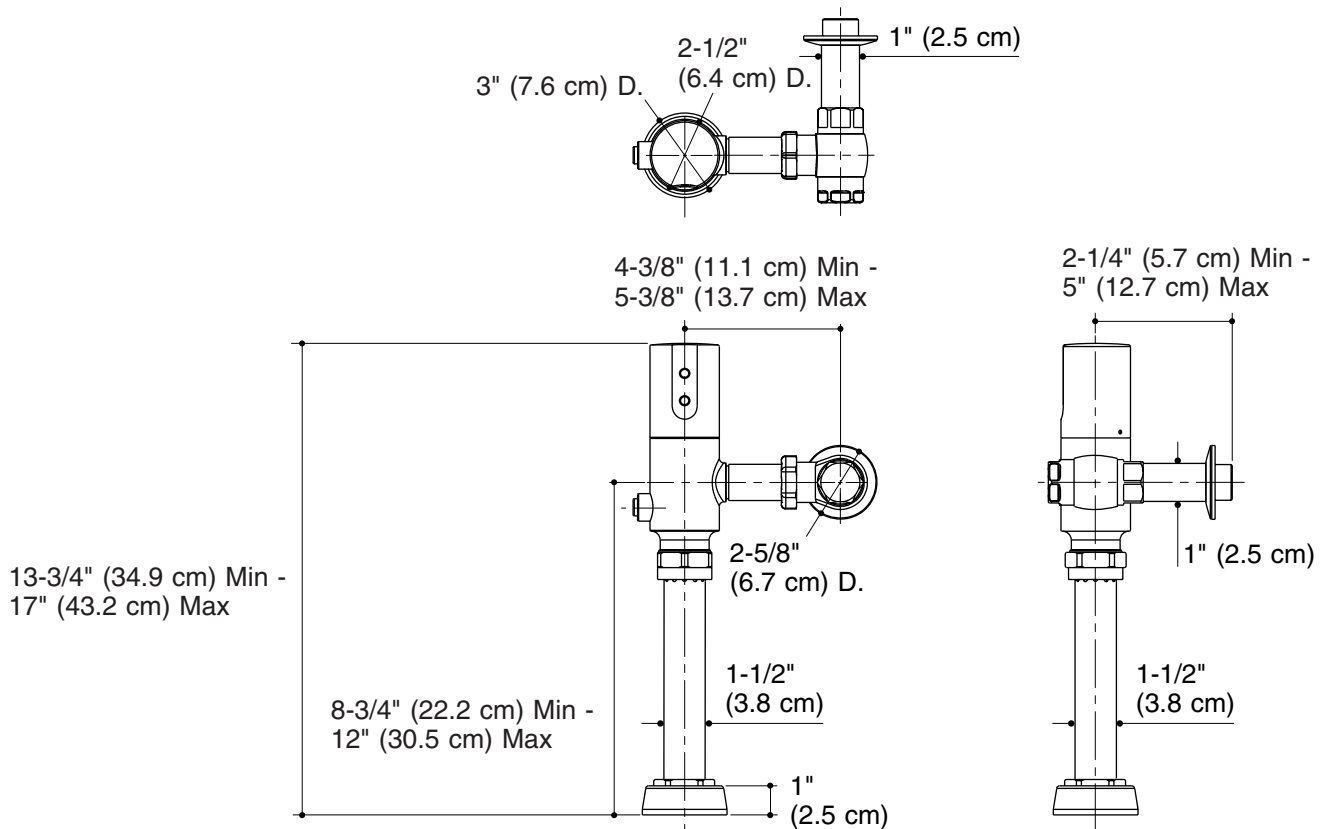
PRODUCT SPECIFICATION

Electronic flush valve shall be made of brass construction. Valve shall feature electronic infrared sensor with TriPoint technology for accurate activation. Valve shall have fixture-mount design. Product is intended for toilet installations with a 1-1/2" spud coupling connection and retrofit models require a control stop and vacuum breaker. Valve shall have a 1.28 gpf (4.85 lpf) flow rate for low water consumption or 1.6 gpf (6 lpf) flow rate. Valve includes four 1.5 V AA batteries. Valve shall have slow-closing piston technology. Product shall be Kohler Model K-_____-CP.

Installation Notes

Install this product according to the installation guide.

ADA, CSA B651, OBC compliant when installed to the specific requirements of these regulations.



Product Diagram