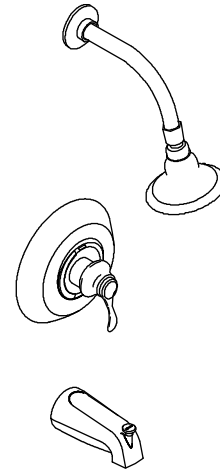


### Features

- Metal construction
- Brass valve bodies
- Rite-Temp® pressure-balancing diaphragm design
- High-temperature limit setting for added safety
- Pressure-balancing mechanism of one-piece diaphragm cartridge design for ease of maintenance
- Mixing valve cycles from "cold" to "hot"
- Lever handle
- Intended for use with Rite-Temp® or HiFlow Rite-Temp® valves

### BATH & SHOWER TRIM SET K-12007

ALSO K-T12007, K-12014, K-T12014



### Codes/Standards Applicable

Specified model meets or exceeds the following:

- ASME A112.18.1/CSA B125.1
- ASSE 1016

### Colors/Finishes

- CP: Polished Chrome
- PB: Polished Brass
- Other: Refer to Price Book for additional colors/finishes

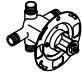

### Specified Model


COMPLETE FAUCET: Faucet trim and Rite-Temp valve included.				
Model	Description	Colors/Finishes		
K-12007-4S	Bath and shower faucet, with slip-fit diverter bath spout	<input type="checkbox"/> CP	<input type="checkbox"/> PB	<input type="checkbox"/> Other___
K-12014-4	Shower faucet	<input type="checkbox"/> CP	<input type="checkbox"/> PB	<input type="checkbox"/> Other___
SEPARATE TRIM AND RITE-TEMP VALVE: For complete faucet, both faucet trim and Rite-Temp valve must be specified.				
Model	Description	Colors/Finishes		
K-T12007-4	Bath and shower faucet trim, with NPT diverter bath spout	<input type="checkbox"/> CP	<input type="checkbox"/> PB	<input type="checkbox"/> Other___
K-T12007-4S	Bath and shower faucet trim, with slip-fit diverter bath spout	<input type="checkbox"/> CP	<input type="checkbox"/> PB	<input type="checkbox"/> Other___
K-T12014-4	Shower trim set	<input type="checkbox"/> CP	<input type="checkbox"/> PB	<input type="checkbox"/> Other___
K-T12021-4	Valve only trim	<input type="checkbox"/> CP	<input type="checkbox"/> PB	<input type="checkbox"/> Other___

### Product Specification

The Rite-Temp pressure-balancing single-handle bath & shower trim set shall be made of metal construction with a brass valve body. The valve shall mix the water from "cold" to the "hot", and includes a high-temperature limit setting for added safety. The pressure-balancing mechanism shall be of one-piece diaphragm cartridge design for ease of maintenance. Product shall include showerhead with arm and flange, faceplate with handle, and 4-7/8" (124 mm) diverter spout with NPT or slip-fit connection. Shower only faucet shall include showerhead with arm and flange, and faceplate with handle. Valve only trim shall include faceplate with handle. Complete faucet shall be Kohler Model K-\_\_\_\_-\_\_\_\_-\_\_\_\_ OR separate trim and valve shall be Kohler Model K-T\_\_\_\_-\_\_\_\_-\_\_\_\_ with K-304-\_\_\_\_-NA Rite-Temp valve OR K-2971-KS-NA HiFlow Rite-Temp valve.

# FAIRFAX®

<b>Required Accessories</b> (For K-T12007, K-T12014, and K-T12021 Only)			
K-304-*	Rite-Temp® valve <b>OR</b>	<input type="checkbox"/> NA	
K-2971-KS	HiFlow Rite-Temp valve with stops		<input type="checkbox"/> NA
* For a complete listing of all the Rite-Temp valves, refer to the K-304-* Specification Sheet or Roughing-In sheet.			

<b>Optional Accessories</b>					
K-12002	Plug Button Set	<input type="checkbox"/> Other _____			
88526	HiFlow Rite-Temp Thin Wall Installation Kit		<input type="checkbox"/> CP	<input type="checkbox"/> PB	<input type="checkbox"/> Other _____

## Installation Notes

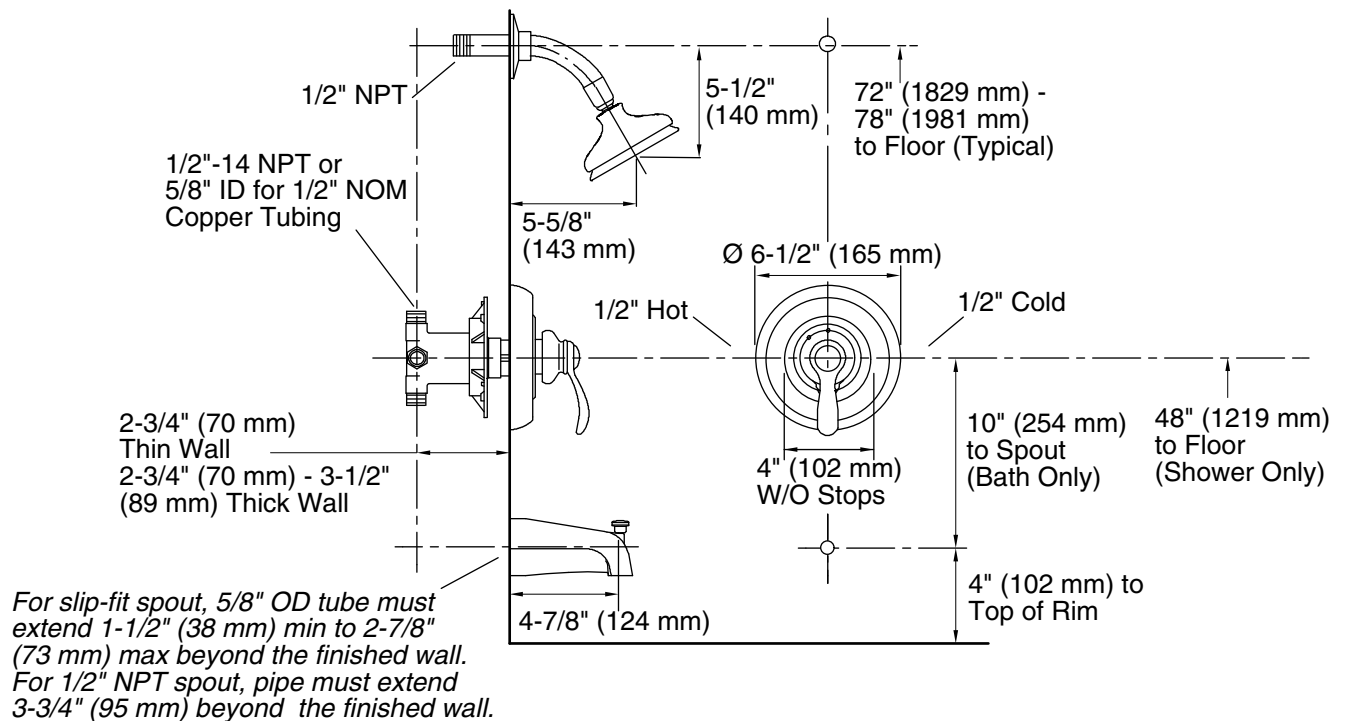
Install this product according to the installation guide.

**NOTICE: Risk of product damage.** Long screws, for installing trim, can damage the K-2971-KS valve. Consult the trim installation guide to verify if the thin wall installation kit (88526) is needed.

Avoid cross-flow conditions. Do not install shut-off device on either valve outlet.

Cap shower outlet if deck-mount spout, diverter, or handshower is connected to spout outlet.

Install straight pipe or tube drop of 7" (178 mm) to 18" (457 mm) with single elbow between valve and wall-mount spout.



## Product Diagram

**SHOWERHEAD  
K-12008  
ALSO K-12009**

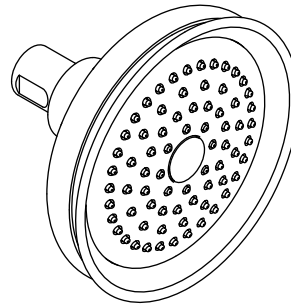
**Features**

- MasterClean™ spray nozzles prohibit mineral build-up
- 72 individual spray nozzles
- Multi-function showerhead delivers wide, full coverage spray, aerated spray and massage spray
- Complements Fairfax® Suite
- 1/2" - 14 NPT connection
- 2.5 gal (9.5 L) per minute flow rate

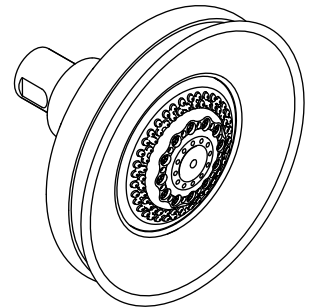
**Codes/Standards Applicable**

Specified model meets or exceeds the following:

- ASME A112.18.1/CSA B125.1
- Energy Policy Act of 2005



**K-12008**



**K-12009**

**Colors/Finishes**

- CP: Polished Chrome
- Other: Refer to Price Book for additional colors/finishes

**Specified Model**

Model	Description	<input type="checkbox"/> CP	<input type="checkbox"/> Other ____
K-12008	Single-function showerhead	<input type="checkbox"/> CP	<input type="checkbox"/> Other ____
K-12009	Multi-function showerhead	<input type="checkbox"/> CP	<input type="checkbox"/> Other ____

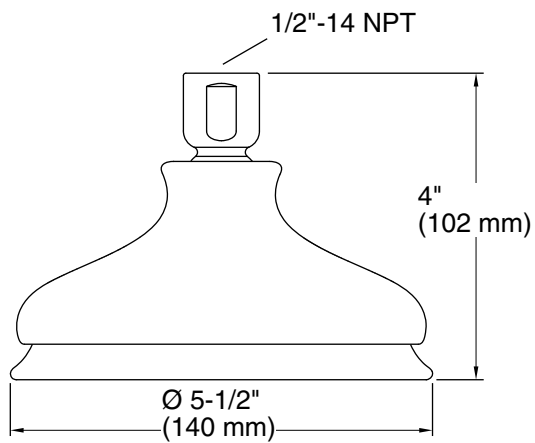
Recommended Accessory				
K-7397	7-1/2" (137 mm) shower arm and flange	<input type="checkbox"/> CP	<input type="checkbox"/> PB	<input type="checkbox"/> Other ____

**Product Specification**

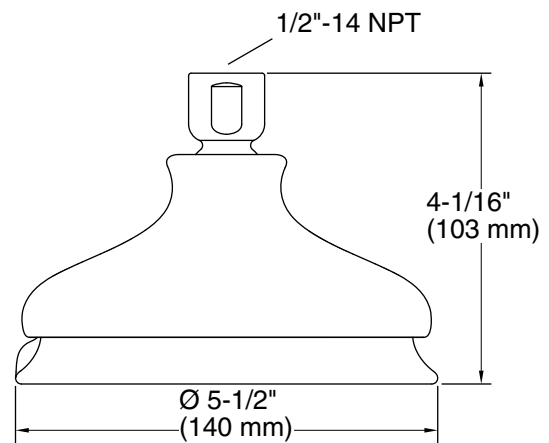
Showerhead shall include single or multi-function spray. Multi-function showerhead shall deliver wide, full coverage spray, soft aerated spray and therapeutic massage spray. Showerhead shall include MasterClean™ spray nozzles to prohibit mineral build-up. Showerhead shall include 72 individual spray nozzles. Showerhead shall have 1/2"-14 NPT connection. Showerhead shall be part of Fairfax® Suite. Showerhead shall feature 2.5 gal (9.5 L) per minute flow rate. Showerhead shall be Kohler Model K-\_\_\_\_-\_\_\_\_.

## Installation Notes

Install this product according to the installation guide.



**K-12008**



**K-12009**

## Product Diagram

## Features

- Metal construction
- 1/2"-14 NPT thread both ends
- Wall-mount flange

## Codes/Standards Applicable

Specified model meets or exceeds the following:

- ASME A112.18.1/CSA B125.1

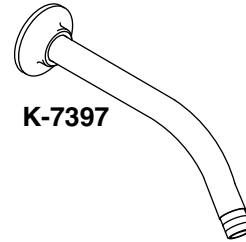
## SHOWER ARM AND FLANGE

# K-7395

ALSO K-7397



K-7395



K-7397

## Colors/Finishes

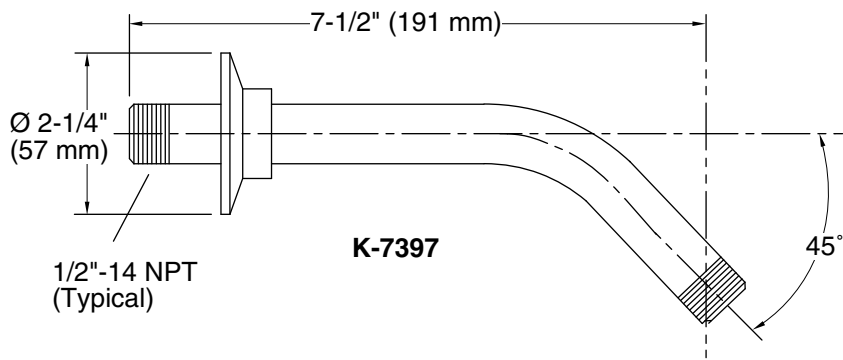
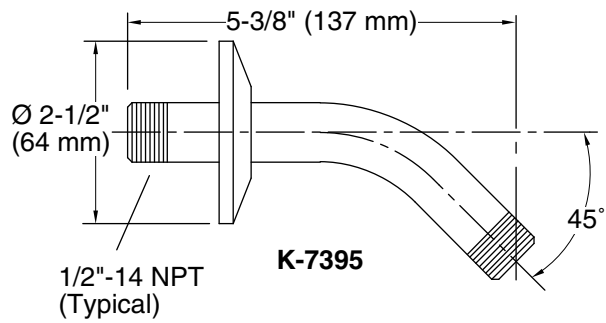
- CP: Polished Chrome
- PB: Vibrant® Polished Brass
- Other: Refer to Price Book for additional colors/finishes

## Specified Model

Model	Description	Colors/Finishes		
K-7395	Shower arm and flange - 5-3/8" (137 mm)	<input type="checkbox"/> CP	<input type="checkbox"/> PB	
K-7397	Shower arm and flange - 7-1/2" (191 mm)	<input type="checkbox"/> CP	<input type="checkbox"/> PB	<input type="checkbox"/> Other_____

## Product Specification

Shower arm and flange shall be of metal construction. Product shall have 1/2"-14 NPT thread both ends. Product shall have wall-mount flange. Shower arm shall be Kohler Model K-\_\_\_\_\_-\_\_\_\_\_.



### Product Diagram

**Features**

- Brass construction
- Available with lever handle
- Front seal plate assembly
- Handle assembly
- Complements Fairfax® Suite

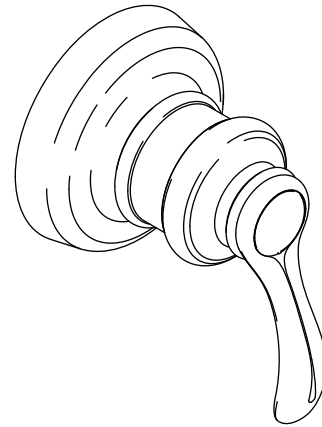
**TRANSFER VALVE TRIM  
K-T12189**

- |     |          |     |
|-----|----------|-----|
| ADA | CSA B651 | OBC |
|-----|----------|-----|

**Codes/Standards Applicable**

Specified model meets or exceeds the following:

- ADA
- ICC/ANSI A117.1
- CSA B651
- OBC
- ASME A112.18.1/CSA B125.1



**Colors/Finishes**

- CP: Polished Chrome
- PB: Vibrant® Polished Brass
- Other: Refer to Price Book for additional colors/finishes

**Accessories**

- NA: None applicable

**Specified Model**

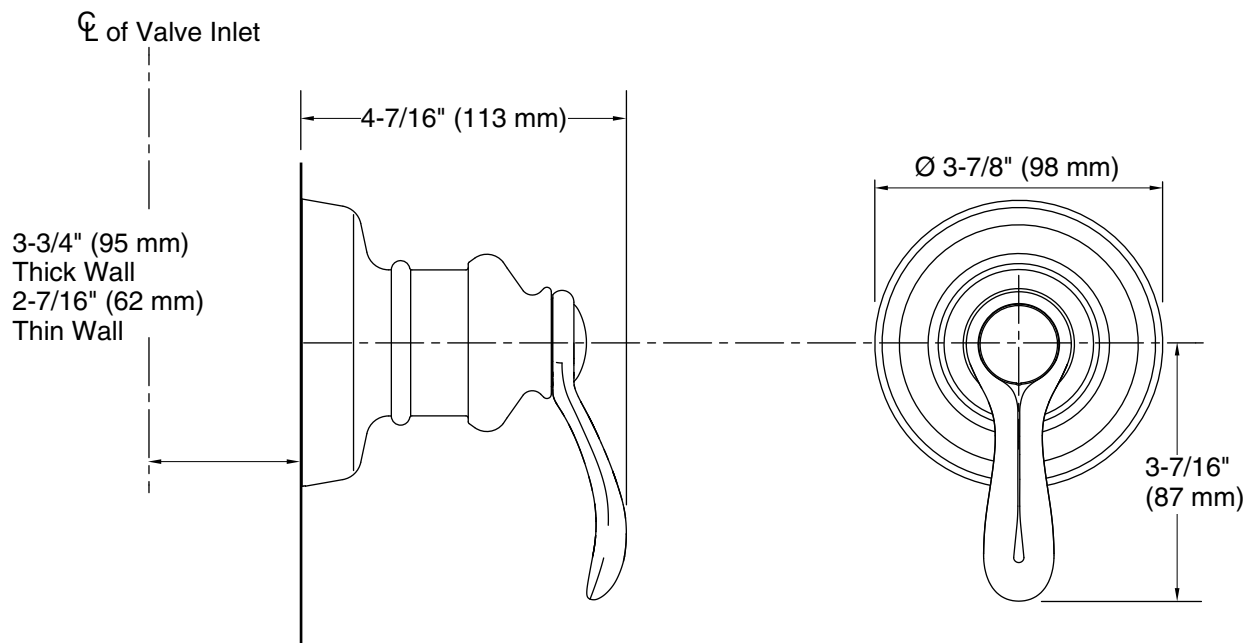
For complete faucet, both faucet trim and valving must be specified.			
Model	Description	Colors/Finishes	
K-T12189-4	Transfer valve trim	<input type="checkbox"/> CP	<input type="checkbox"/> Other _____
Required Accessory			
K-728-K	3/4" Transfer valve	<input type="checkbox"/> NA	
K-737-K	3/4" Diverter valve	<input type="checkbox"/> NA	

**Product Specification**

Transfer valve trim shall be of brass construction. Trim shall include front seal plate assembly and handle assembly. Product shall be available with lever handle. Trim shall complement the Fairfax® Suite. Transfer valve trim shall be Kohler Model K-T12189-\_\_\_\_ and transfer valve shall be K-672-K-NA.

## Installation Notes

Install this product according to the installation guide.



K-T12189

## Product Diagram



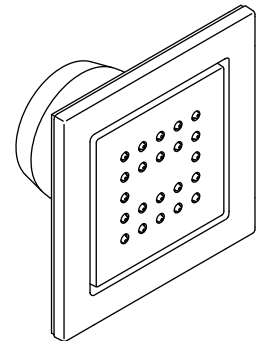
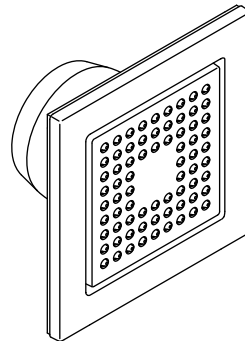
**Features**

- 1/2" NPT connections
- 2.5 gallons (9.5 L) per minute maximum flow rate [at 80 psi (552 kPa)]
- Available as a 54-nozzle with soothing spray [K-8002] or a 22-nozzle with stimulating spray [K-8003]
- Low profile design complements any décor
- Fully adjustable, pivoting MasterClean™ sprayface

**BODYSPRAY**  
**K-8002**  
**ALSO K-8003**

**K-8002**

**K-8003**



**Codes/Standards Applicable**

Specified model meets or exceeds the following:

- ASME A112.18.1/CSA B125.1
- Energy Policy Act of 2005

**Colors/Finishes**

- CP: Polished Chrome
- Other: Refer to Price Book for additional colors/finishes

**Specified Model**

Model	Description	Colors/Finishes	
K-8002	54-nozzle bodyspray with soothing spray	<input type="checkbox"/> CP	<input type="checkbox"/> Other_____
K-8003	22-nozzle bodyspray with stimulating spray	<input type="checkbox"/> CP	<input type="checkbox"/> Other_____

**Product Specification**

Bodyspray shall be for 1/2" NPT connections. Product shall have a flow rate of 2.5 gallons (9.5 L) per minute maximum at 80 psi (552 kPa). Product shall be available as a 54-nozzle soothing spray [K-8002] or a 22-nozzle stimulating spray [K-8003]. Product shall feature a low profile design which complements any décor. Product shall feature a fully adjustable, pivoting MasterClean sprayface which resists mineral buildup for years of reliable performance. Bodyspray shall be Kohler Model K-\_\_\_\_-\_\_\_\_\_.

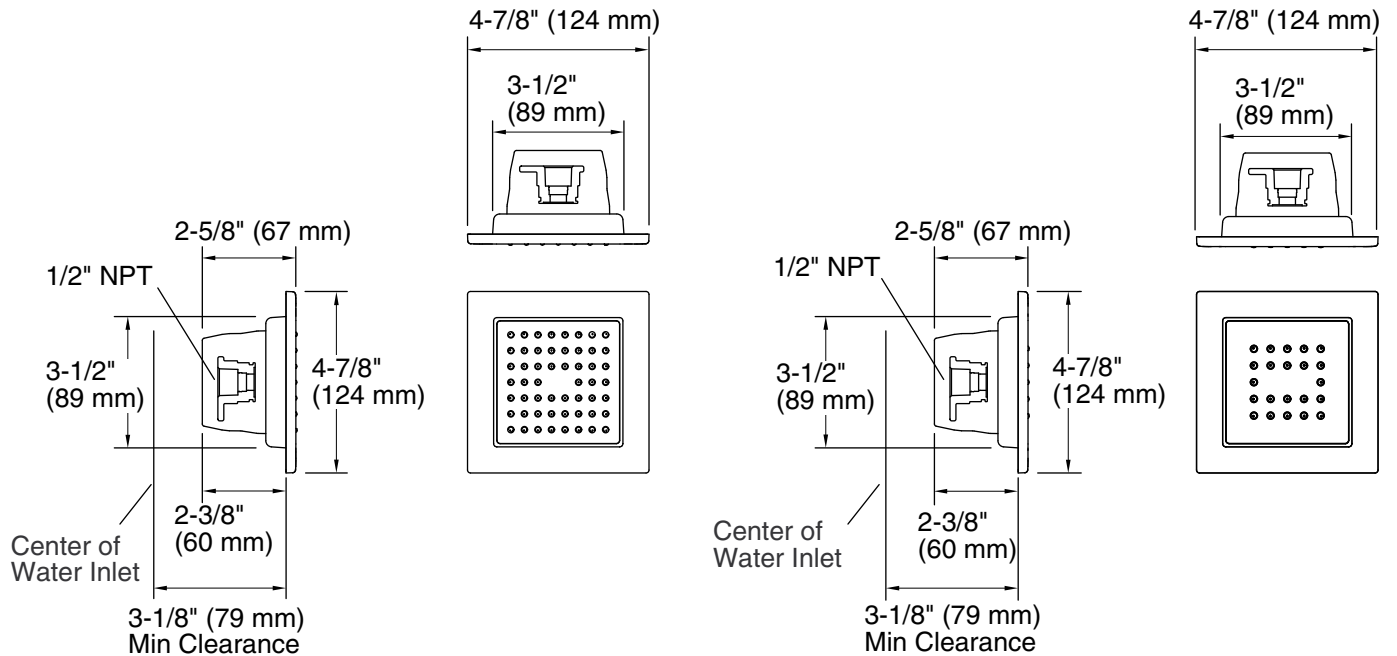
# WATERTILE®

## Installation Notes

Install this product according to the installation guide.

K-8002

K-8003



## Product Diagram

### Features

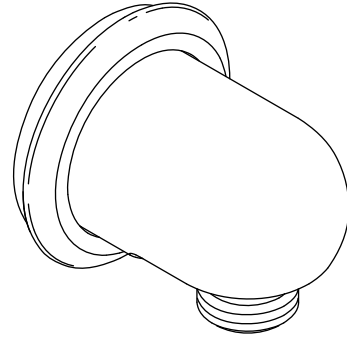
- Brass construction

### WALL-MOUNT SUPPLY ELBOW K-355

### Codes/Standards Applicable

Specified model meets or exceeds the following:

- ASME A112.18.1/CSA B125.1



### Colors/Finishes

- CP: Polished Chrome
- Other: Refer to Price Book for additional colors/finishes

### Specified Model

Model	Description	Colors/Finishes	
K-355	Wall-mount supply elbow	<input type="checkbox"/> CP	<input type="checkbox"/> Other_____

### Product Specification:

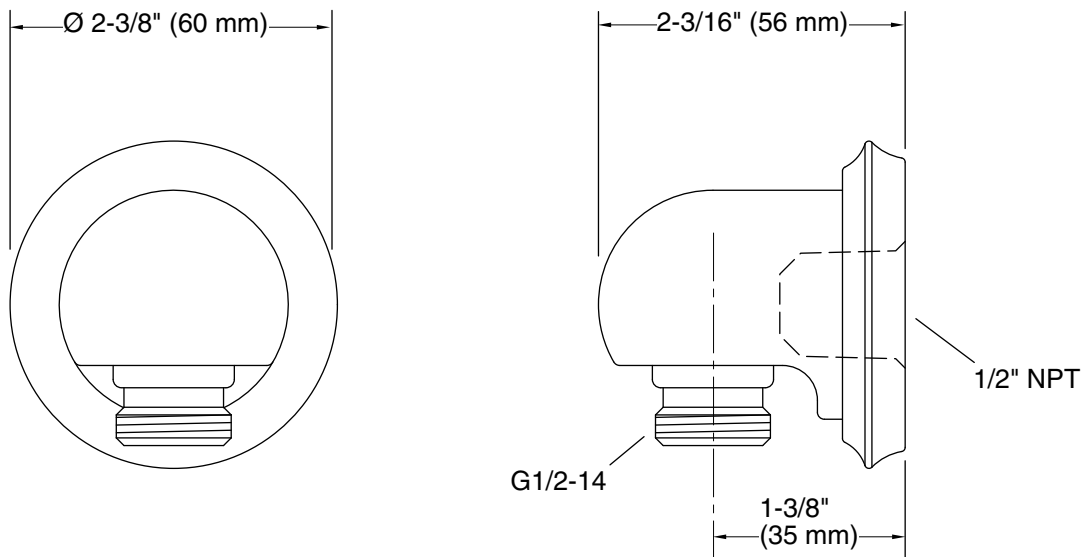
Supply elbow shall be of brass construction. Product is intended for wall-mount installations. Supply elbow shall be Kohler Model K-355-\_\_\_\_\_.

## Technical Information

Applicable product:	
Wall-mount supply elbow	K-355

## Installation Notes

Install this product according to the installation guide.



## Product Diagram