

**SHOWERHEAD
K-10282
ALSO K-10284**

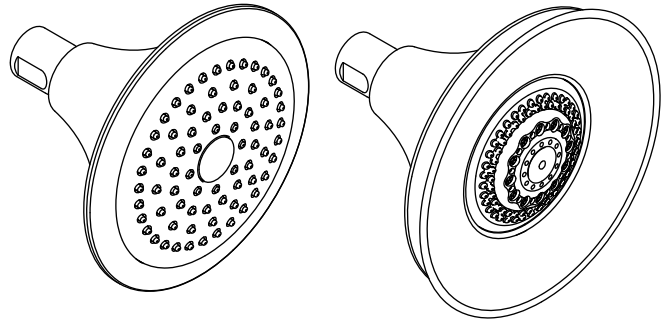
Features

- MasterClean™ spray nozzles prohibit mineral build-up
- Complements Forté® faucet line
- 1/2" - 14 NPT connection
- 2.5 gallons (9.5 L) per minute flow rate
- Single-function spray with 72 individual MasterClean spray nozzles
- Full-coverage, therapeutic massage, soft-aerated spray, and water-saving eco spray options

Codes/Standards Applicable

Specified model meets or exceeds the following:

- ASME A112.18.1/CSA B125.1
- Energy Policy Act of 2005



K-10282

K-10284

Colors/Finishes

- CP: Polished Chrome
- Other: Refer to Price Book for additional colors/finishes

Accessories

- CP: Polished Chrome
- PB: Vibrant® Polished Brass
- Other: Refer to Price Book for additional colors/finishes

Specified Model

Model	Description	Colors/Finishes	
K-10282	Single-function showerhead	<input type="checkbox"/> CP	<input type="checkbox"/> Other _____
K-10284	Multi-function showerhead	<input type="checkbox"/> CP	<input type="checkbox"/> Other _____

Recommended Accessories				
K-7397	Shower arm and flange – 7-1/2" (137 mm) length, 1/2" NPT	<input type="checkbox"/> CP	<input type="checkbox"/> PB	<input type="checkbox"/> Other _____
K-16133	Shower arm	<input type="checkbox"/> CP	<input type="checkbox"/> PB	<input type="checkbox"/> Other _____

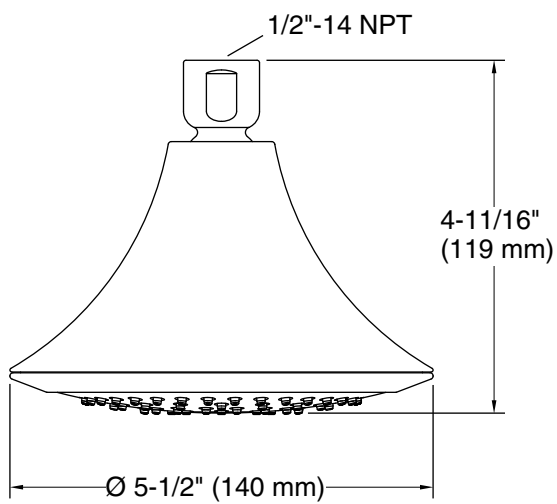
Product Specification

Showerhead shall feature a 1/2" - 14 NPT connection. Showerhead shall feature MasterClean spray nozzles to prohibit mineral build-up. Showerhead shall have a 2.5 gallon (9.5 L) per minute flow rate. Showerhead shall be available as a single-function spray with 72 individual MasterClean spray nozzles [K-10282]. Showerhead shall be available with a multi-function spray featuring full-coverage, therapeutic massage, soft-aerated spray, and water-saving eco spray options [K-10284]. Showerhead complements the Forté faucet line. Showerhead shall be Kohler Model K-_____-_____.

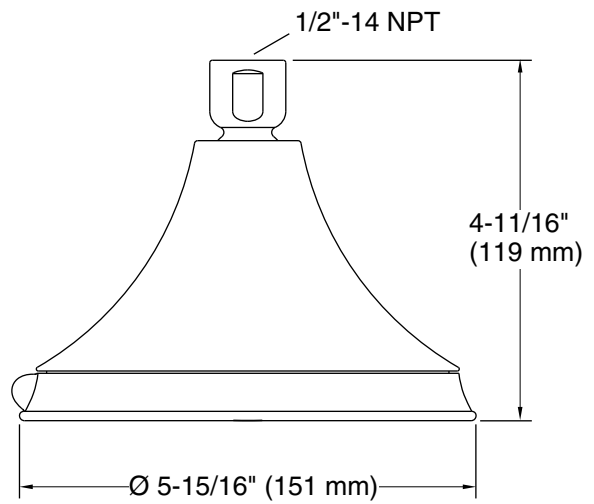
FORTÉ®

Installation Notes

Install this product according to the installation guide.



K-10282



K-10284

Product Diagram

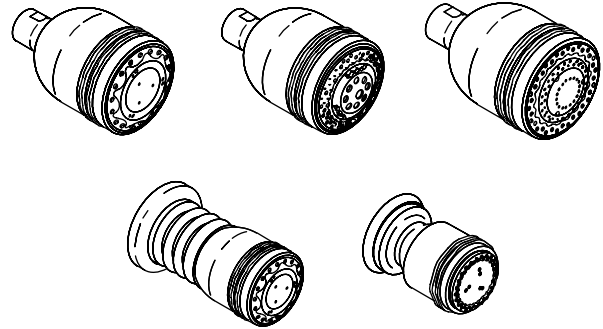
Features

- *Invigorating and relaxing spray options*
- *2.5 gallons (9 L) per minute (ultra-low flow bodyspray is 1.6 gallons (6.1 L) per minute)*
- *Eco showerheads are 2.0 gallons (7.5 L) per minute*

Codes/Standards Applicable

Specified model meets or exceeds the following:

- *ASME A112.18.1*
- *IAPMO/UPC*
- *CSA International*
- *CSA B125*



Colors/Finishes

- CP: Polished Chrome
- PB: Vibrant® Polished Brass
- Other: Refer to Price Book for additional colors/finishes

Specified Model

Model	Description	Colors/Finishes		
K-8506	Invigorating showerhead	<input type="checkbox"/> CP	<input type="checkbox"/> PB	<input type="checkbox"/> Other _____
K-8507	Relaxing showerhead	<input type="checkbox"/> CP	<input type="checkbox"/> PB	<input type="checkbox"/> Other _____
K-8509	Three-way bodyspray	<input type="checkbox"/> CP	<input type="checkbox"/> PB	<input type="checkbox"/> Other _____
K-8510	Two-way ultra-low flow bodyspray	<input type="checkbox"/> CP	<input type="checkbox"/> PB	<input type="checkbox"/> Other _____
K-8544	Relaxing Eco showerhead	<input type="checkbox"/> CP	<input type="checkbox"/> PB	<input type="checkbox"/> Other _____
K-9511	Shower arm with diverter	<input type="checkbox"/> CP	<input type="checkbox"/> PB	<input type="checkbox"/> Other _____
K-9512	Shower arm less diverter	<input type="checkbox"/> CP	<input type="checkbox"/> PB	<input type="checkbox"/> Other _____

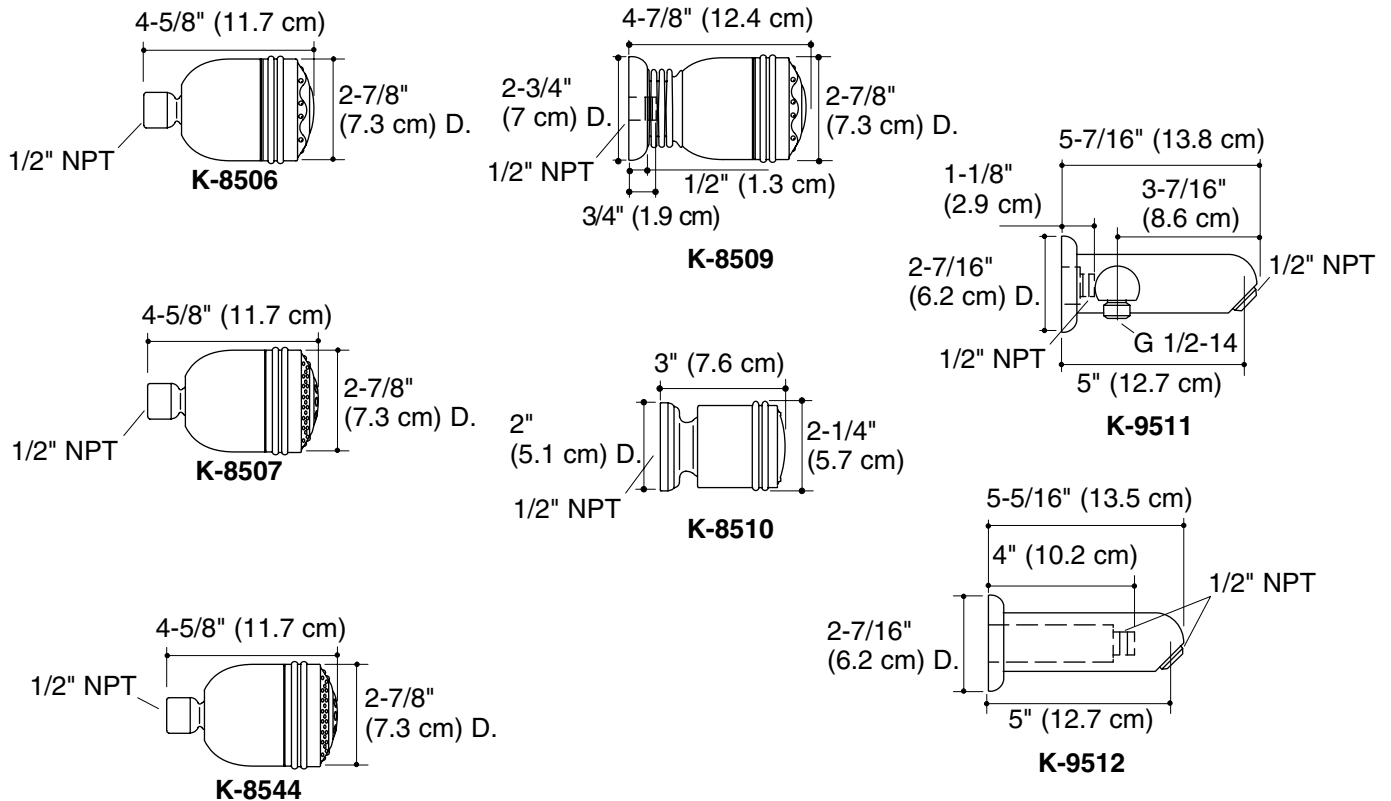
Product Specification

Product shall have either invigorating or relaxing spray options. Product shall have a flow rate 2.5 gallons (9 L) per minute, is rated at 1.6 gallons (6.1 L) per minute for ultra-low flow bodyspray, and 2.0 gallons (7.5 L) per minute for Eco showerheads. Product shall be Kohler Model K-_____-_____.

MASTERSHOWER®

Installation Notes

Install this product according to the installation guide.



Product Diagram

DEVONSHIRE® RITE-TEMP®

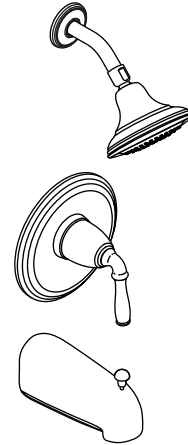
Features

- Metal construction
- Brass valve bodies
- Rite-Temp® pressure-balancing diaphragm design
- High-temperature limit setting for added safety
- Pressure-balancing mechanism of one-piece diaphragm cartridge design for ease of maintenance
- Mixing valve cycles from "cold" to "hot"
- Intended for use with Rite-Temp® or HiFlow Rite-Temp® valves
- Includes showerhead with arm and flange, faceplate with handle, and 5-1/4" (133 mm) diverter spout with NPT or slip-fit connection

**PRESSURE-BALANCING
BATH/SHOWER VALVE TRIM**

K-T395

ALSO K-T396, K-T397



Codes/Standards Applicable

Specified model meets or exceeds the following:

- ASME A112.18.1/CSA B125.1

Colors/Finishes

- CP: Polished Chrome
- PB: Vibrant® Polished Brass
- Other: Refer to Price Book for additional colors/finishes

Specified Model

Separate Trim and Rite-Temp® Valve: For complete valve, both valve trim and Rite-Temp® valve must be specified.				
Model	Description	Colors/Finishes		
K-T395-4	Shower and valve trim with NPT diverter spout	<input type="checkbox"/> CP	<input type="checkbox"/> PB	<input type="checkbox"/> Other ____
K-T395-4S	Shower and valve trim with slip-fit diverter spout (shown)	<input type="checkbox"/> CP	<input type="checkbox"/> PB	<input type="checkbox"/> Other ____
K-T396-4	Shower and valve trim	<input type="checkbox"/> CP		<input type="checkbox"/> Other ____
K-T397-4	Valve trim	<input type="checkbox"/> CP	<input type="checkbox"/> PB	<input type="checkbox"/> Other ____

Rite-Temp® valve must be ordered to complete faucet.

Applicable Bath Spout				
K-373	Non-diverter bath spout	<input type="checkbox"/> CP	<input type="checkbox"/> PB	<input type="checkbox"/> Other ____
K-373-S	Slip-fit non-diverter bath spout	<input type="checkbox"/> CP	<input type="checkbox"/> PB	<input type="checkbox"/> Other ____
K-389	Diverter bath spout	<input type="checkbox"/> CP	<input type="checkbox"/> PB	<input type="checkbox"/> Other ____
K-389-S	Slip-fit diverter bath spout	<input type="checkbox"/> CP	<input type="checkbox"/> PB	<input type="checkbox"/> Other ____

Product Specification

The Rite-Temp® pressure-balancing single-control bath and shower valve shall be made of metal construction with brass valve bodies. Valve shall mix the water from the "off" position, through the "cold" to the "hot", and include a high-temperature limit setting for added safety. Product shall feature pressure-balancing mechanism of one-piece diaphragm cartridge design for ease of maintenance and be intended for use with Rite-Temp or HiFlow Rite-Temp valves. Bath and shower valve shall include showerhead with arm and flange, faceplate with handle, and 5-1/4" (133 mm) diverter spout with NPT or slip-fit connection. Valve shall be Kohler Model K-____-____-____ with K-____-____-NA Rite-Temp® valve.

DEVONSHIRE® RITE-TEMP®

Technical Information

Required Accessories		
K-304-*	Rite-Temp® valve OR	<input type="checkbox"/> NA
K-2971-KS	HiFlow Rite-Temp valve with stops	<input type="checkbox"/> NA

For a complete listing of all the Rite-Temp valves, refer to the K-304- Specification sheet or Roughing-In sheet.

Optional Accessories			
88526	HiFlow Rite-Temp® thin wall installation kit	<input type="checkbox"/> CP	<input type="checkbox"/> Other
1030932	Deep roughing-in kit for Rite-Temp® valve (lever handles)	<input type="checkbox"/> NA	

Installation Notes

Install this product according to the installation guide.

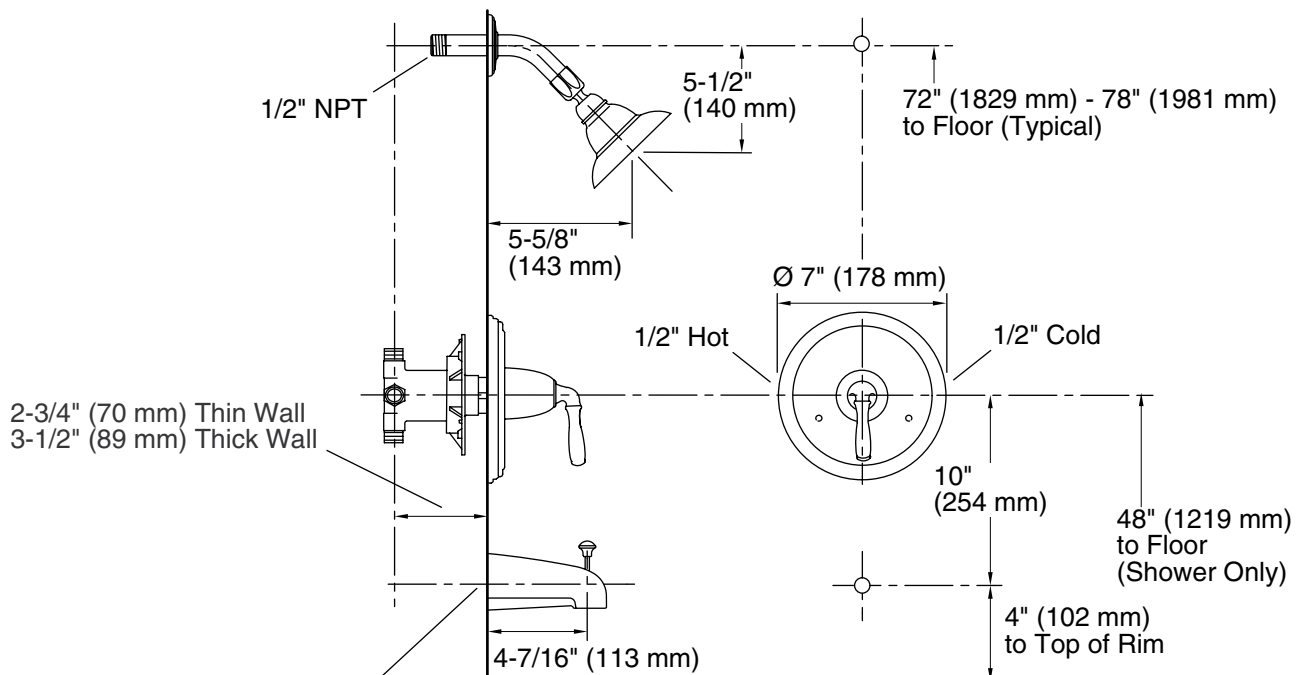
Install the Rite-Temp® valve according to the valve installation guide.

NOTICE: Risk of product damage. Long screws, for installing trim, can damage the K-2971-KS valve. Consult the trim installation guide to verify if the thin wall installation kit (88526) is needed.

Avoid cross-flow conditions. Do not install shut-off device on either valve outlet.

Cap shower outlet if deck-mounted spout, diverter, or handshower is connected to the spout outlet.

Install straight pipe or tube drop of 7" (178 mm) to 18" (457 mm) with single elbow between valve and wall-mount spout.



For slip-fit spout, 5/8" OD tube must extend 1-1/2" (38 mm) min to 2-7/8" (73 mm) max beyond the finished wall. For 1/2" NPT spout, pipe must extend 3-3/4" (95 mm) beyond the finished wall.

Complete bath and shower faucet with Rite-Temp valve and slip-fit diverter spout shown.

Product Diagram