

Features

- Adjustable oversized sprayface
- MasterClean™ sprayface resists hard water buildup and is easy to clean
- Complements Forté® faucet line
- Ergonomic sprayhead pivots
- 1.75 gpm (6.6 L) per minute maximum flow rate
- Wide Coverage, medium coverage, forceful utility spray, and water-saving spray option
- Water-saving spray meets ADA requirement for non-positive shutoff

Optional Accessories

- K-8593 72" Shower Hose
- K-9514 60" Shower Hose
- K-45981 Shower Hose
- K-45982 Shower Hose



ADA **CSA B651** **OBC**

Codes/Standards

ASME A112.18.1/CSA B125.1
DOE - Energy Policy Act 1992
EPA WaterSense®
ADA
ICC/ANSI A117.1
CSA B651
OBC

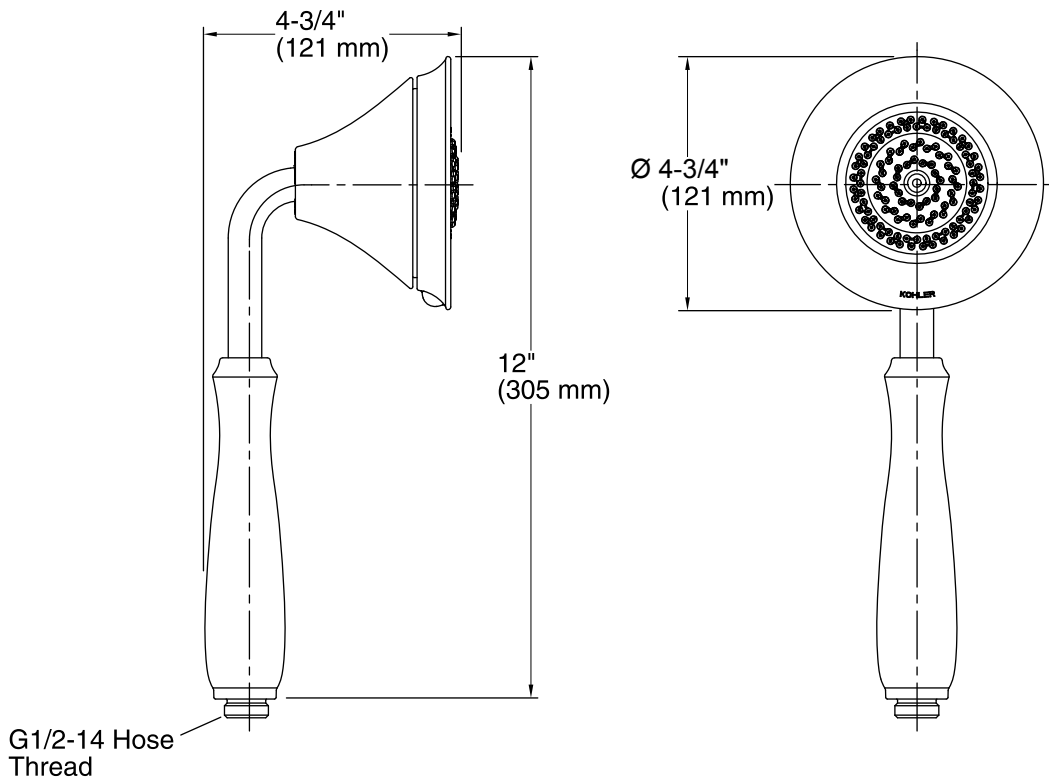
KOHLER® Faucet Lifetime Limited Warranty

See website for detailed warranty information.

Available Color/Finishes

Color tiles intended for reference only.

Color	Code	Description
	CP	Polished Chrome
	G	Brushed Chrome
	BN	Vibrant® Brushed Nickel
	2BZ	Oil-Rubbed Bronze



Technical Information

All product dimensions are nominal.

Handshower:

Rated maximum flow: 1.75 gal/min (6.6 l/min)

Notes

Install this product according to the installation guide.

Plumbing codes require approved backflow prevention devices to be installed in-line to handshowers. Please consult with local plumbing officials.

ADA, OBC, CSA B651 compliant when installed to the specific requirements of these regulations.