

### Features

- Metal construction.
- Brass valve bodies.
- Reversible quarter-turn washerless ceramic disc valves.
- Sculpted lever handles .
- Metal pop-up drain with tailpiece.
- 5-1/8" (130 mm) spout reach.
- For 4" (102 mm) centers.
- Stationary spout.
- 1.5 gal/min (5.7 l/min) maximum flow rate [max at 60 psi (4.14 bar)].



For complete listing of available colors, go to [kohler.com](http://kohler.com).



### Codes/Standards

ASME A112.18.1/CSA B125.1

NSF 61

NSF 372

ADA

ICC/ANSI A117.1

DOE - Energy Policy Act 1992

EPA WaterSense®

All applicable US Federal and State material regulations

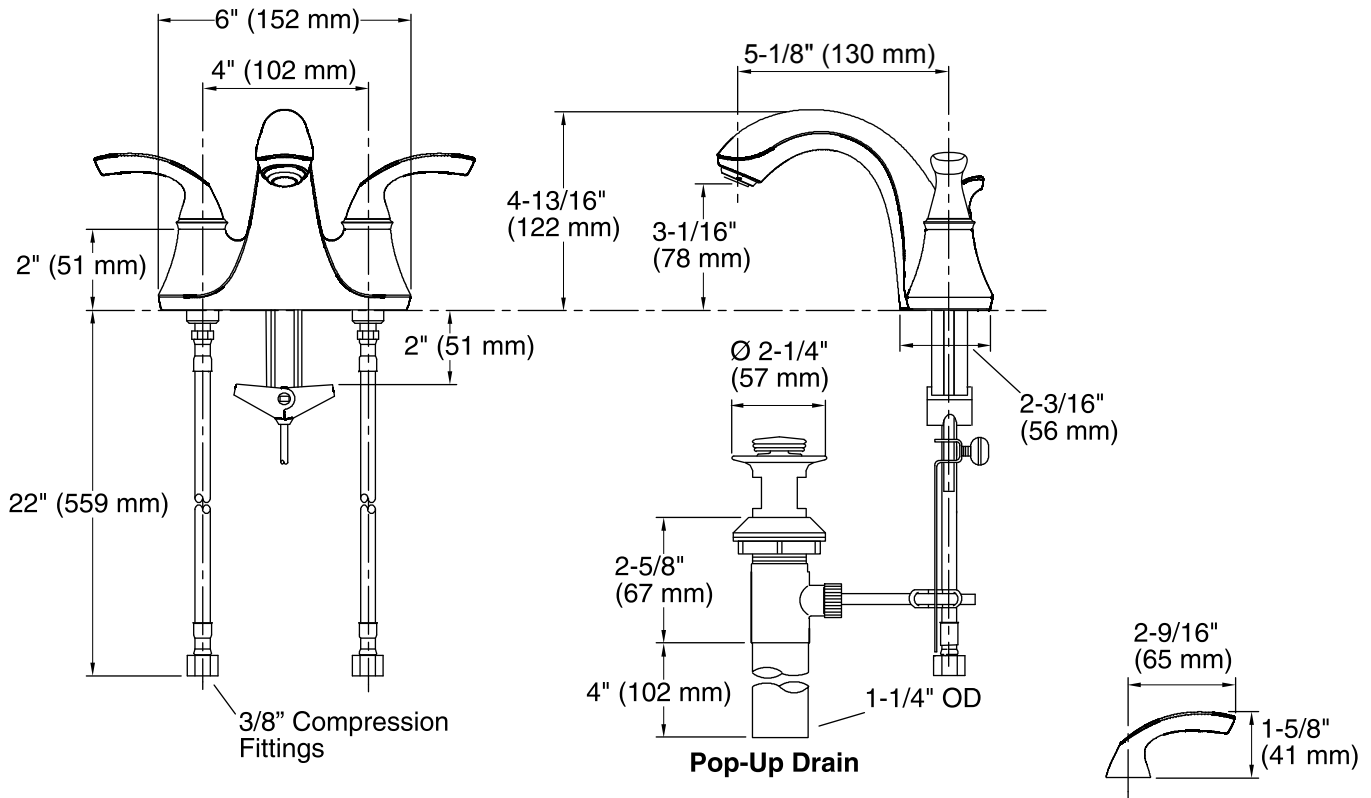
TAS

### KOHLER® Faucet Lifetime Limited Warranty

See website for detailed warranty information.

### Product Specification

Bathroom sink faucet shall be 5-1/8" (130 mm) spout reach and 3-1/16" (78 mm) spout outlet height. Bathroom sink faucet shall be metal construction with brass valve bodies. Bathroom sink faucet shall be lever handles. Bathroom sink faucet shall be pop-up drain with tailpiece. Bathroom sink faucet shall be 4" (102 mm) centers. Bathroom sink faucet shall be KOHLER Model K-10270-4.



## Technical Information

All measurements are nominal.

Spout reach: 5-1/8" (130 mm)

Drain included: YES

Drain tailpiece included: YES

### Faucet:

Flow rate: 1.5 gal/min (5.7 l/min)

Pressure: 60 psi (4.1 bar)

## Installation Notes

Install this product according to the installation guide.

ADA, TAS compliant when installed to the specific requirements of these regulations.