

**MONOBLOCK LAVATORY FAUCET  
K-10085**



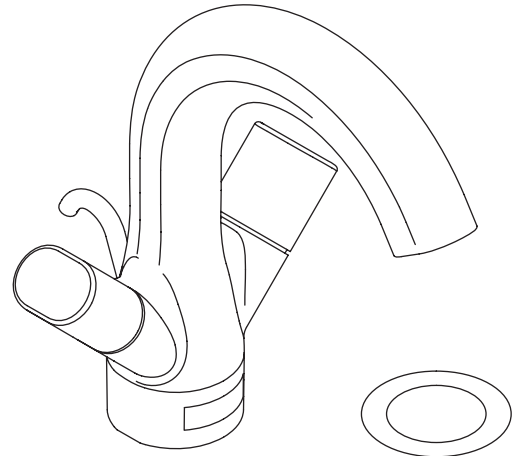
**Features**

- Brass construction
- Brass valve bodies
- Cast brass waterway
- Quarter-turn washerless ceramic disc valves
- Flexible supplies
- Pop-up drain with lift rod and tailpiece
- Oval handles
- Stationary spout
- Single-hole mounting
- 3-3/4" (9.5 cm) spout reach
- 1.5 gallons (5.7 liters) per minute maximum flow rate

**Codes/Standards Applicable**

Specified model meets or exceeds the following at date of manufacture:

- ASME A112.18.1/CSA B125.1
- NSF 61
- All applicable US Federal and State material regulations
- EPA WaterSense®



**Colors/Finishes**

- CP: Polished Chrome
- Other: Refer to Price Book for additional colors/finishes

**Specified Model**

Model	Description	Colors/Finishes	
K-10085-9	Monoblock lavatory faucet	<input type="checkbox"/> CP	<input type="checkbox"/> Other____
Optional Accessories			
_____	Additional flow options are available (refer to the Kohler Price Book)		<input type="checkbox"/> NA

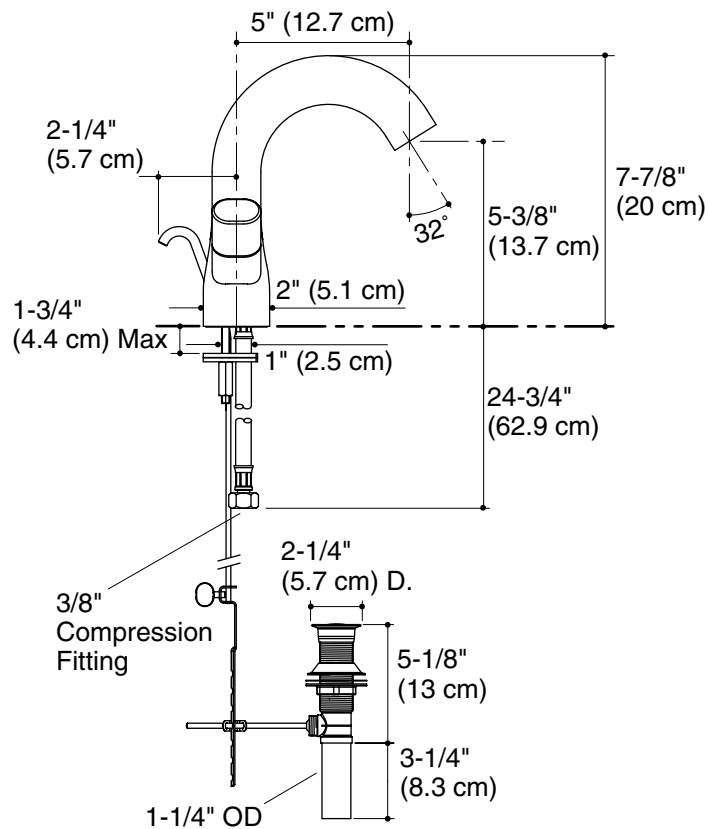
**Product Specification**

The two-handle monoblock lavatory faucet shall be made of brass construction with brass valve bodies and a cast brass waterway. Product shall feature a 1.5 gpm (5.7 lpm) maximum flow rate. Product shall feature quarter-turn washerless ceramic disc valves, a 3-3/4" (9.5 cm) spout reach, stationary spout, and a pop-up drain with lift rod and tailpiece. Product shall feature oval handles and flexible supplies. Product shall be for single-hole mounting. Faucet shall be Kohler Model K-10085-9-\_\_\_\_\_.

# OBLO®

## Installation Notes

Install this product according to the installation guide.



**Product Diagram**