



STYLIST GROUP

SPECIFICATION

Seamless die-drawn construction of type 304, 18-8 stainless steel. Interior and top surfaces polished to a non-porous Hand-Blended Just Finish with highlighted bowl rim. Fully coated underside insulates for sound, and reduces condensation. Straight-sided compartment with $1\frac{3}{4}$ " radius corners provides greater capacity. Self-rimming top mount Grip-Rim Plus with 300 series stainless steel mounting channels. Conforms to ASME/ANSI A112.19.3M. Drain punch #35 centered for Just J-35 unless otherwise specified.

TYPE 316 STAINLESS STEEL (check if applicable)

To be specified :

■ Faucet hole punching:

- | | |
|--|--|
| <input type="checkbox"/> (1) Hole Centered | <input type="checkbox"/> Over each bowl |
| <input type="checkbox"/> (2) Holes - 4" centers | <input type="checkbox"/> Over each partition |
| <input type="checkbox"/> (3) Holes - 4" centers | <input type="checkbox"/> Over center bowl only |
| <input type="checkbox"/> (4) Holes - 4" centers | |
| <input type="checkbox"/> (6) Holes (illustrated - 3-3 over partitions) | |

Alternate Punching:

Faucet Model: _____
Punching required: _____

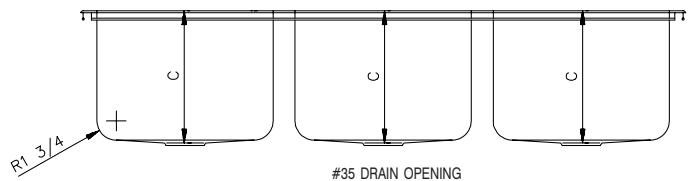
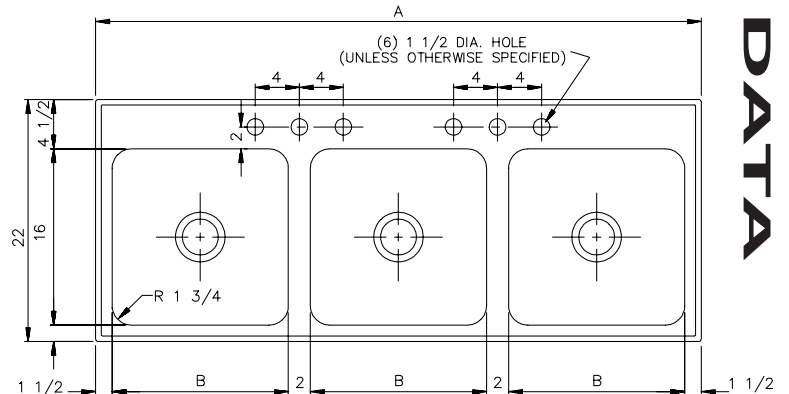
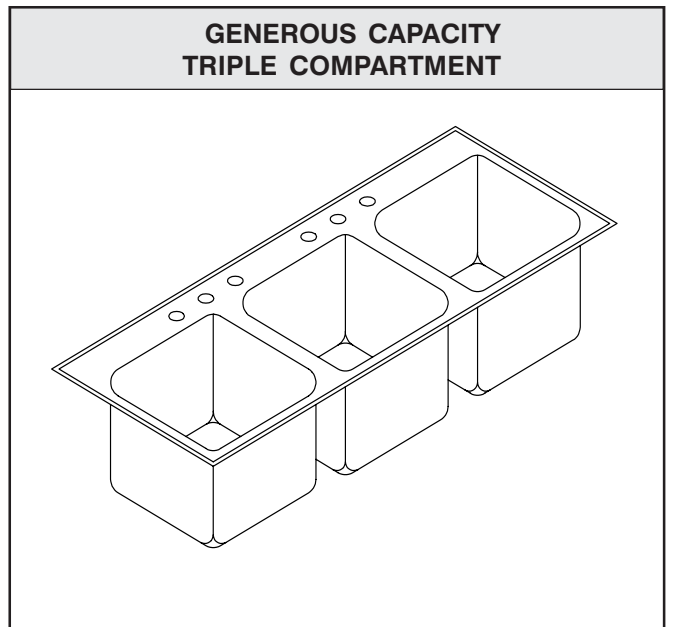
MODEL NO.	A	B	C	CUTOUT*
TL-2249-A-GR	49	14	7-1/2	21-1/4 x 48-1/4
TL-2255-A-GR	55	16	7-1/2	21-1/4 x 54-1/4
TLX-2249-A-GR	49	14	10-1/2	21-1/4 x 48-1/4
TLX-2255-A-GR	55	16	10-1/2	21-1/4 x 54-1/4
TLXD-2255-A-GF	55	16	12	21-1/4 x 54-1/4

* Cutout dimensions shown (Front-to-Back) x (Left-to-Right)
Corners of cutout may be square or up to 1/2" radius.

FUNCTIONAL DESIGN, QUALITY, AND SPECIFICATIONS LISTED DESCRIBE THE JUST STANDARD OF QUALITY. WHEN MAKING COMPARISONS WITH OTHER OFFERINGS, INSIST ON THE JUST QUALITY OF CONSTRUCTION. FOR ADDITIONAL INFORMATION REGARDING THE COMPLETE LINE OF **JUST** SINKS, FAUCETS AND DRAINS, VISIT OUR WEB SITE AT www.justmfg.com

Job Name _____
Customer _____
Architect/Engineer _____

TL - TLX - TLXD - SERIES - A - 18 GA.



SUBMITTAL

DATA

APPROVED FOR MANUFACTURING	
MODEL NO. _____	QTY. _____
COMPANY _____	
TITLE _____	DATE _____
SIGNATURE _____	

REVISED-5/2004