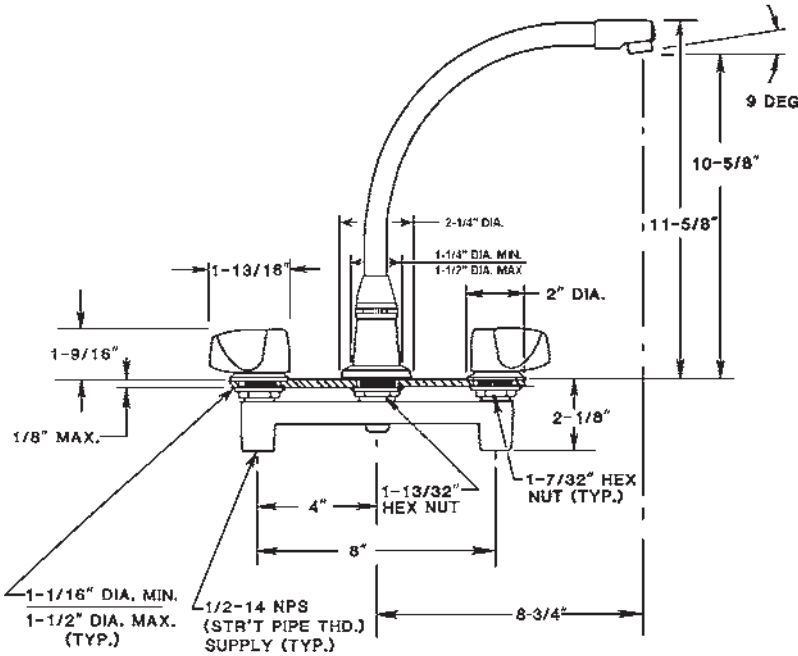




JWF-200

FAUCET GROUP CONCEALED MOUNT FAUCET

SUBMITTAL DATA



TECHNICAL DATA CONSTRUCTION:

Concealed ledgement on 8 inch centers
Cast brass body
High rise swing spout with 10-5/8" clearance
Replaceable seats
Brass quarter turn stem units
Chrome plated die cast teardrop handles
Equipped with water saving aerator
Certified by IAPMO R&T to:

- * NSF/ANSI 61- 2010a
- * NSF/ANSI 61- Annex G
- * Low Lead
- * ANSI A112.18.1 / CSA B125.1
- * UPC
- * IPC
- * ADA Compliant



OPTIONS HANDLES

- 4" Wrist Blades "W4"
- 6" Wrist Blades "W6"
- Canopy Type "C" (not ADA)
- Acrylic "P" (not ADA)

AERATOR

- Duo Stream Swivel "B"
- Rose Spray "J-RS"

VANDAL RESISTANT

- Aerator "VR-A"
- Handles "VR-H"

FINISH

Polished chrome plate

FLOW RATE

2.2 GPM flow restricting aerator

A.D.A. COMPLIANCE

Yes

VARIANTS

- JWF-200-R70° - Restricted swing high rise spout
- JWF-201 = JWF-200 w/ hose & spray

JUST MFG. COMPANY CONTINUES TO MAKE QUALITY AND FUNCTIONALITY A MARK OF THE JUST PRODUCT LINE. TO DO SO REQUIRES THAT WE RESERVE THE RIGHT TO CHANGE PRODUCT INFORMATION WITHOUT NOTICE. DIMENSIONS MAY VARY AND ARE SUBJECT TO CHANGE WITHOUT NOTICE. NO RESPONSIBILITY IS ASSUMED FOR USE OF SUPERCEDED OR VOIDED DATA. FOR THE MOST CURRENT AND ACCURATE INFORMATION REGARDING THE COMPLETE LINE OF JUST SINKS, FAUCETS AND DRAINS, CLICK ON THE **SPEC LINE DRAWINGS** LINK ON OUR WEB SITE AT www.justmfg.com

APPROVED FOR MANUFACTURING	
MODEL NO.:	JWF-200
QTY:	_____
JOB NAME:	_____
TAG/ITEM:	_____
CUSTOMER:	_____
SIGNATURE:	_____

JUST MANUFACTURING COMPANY

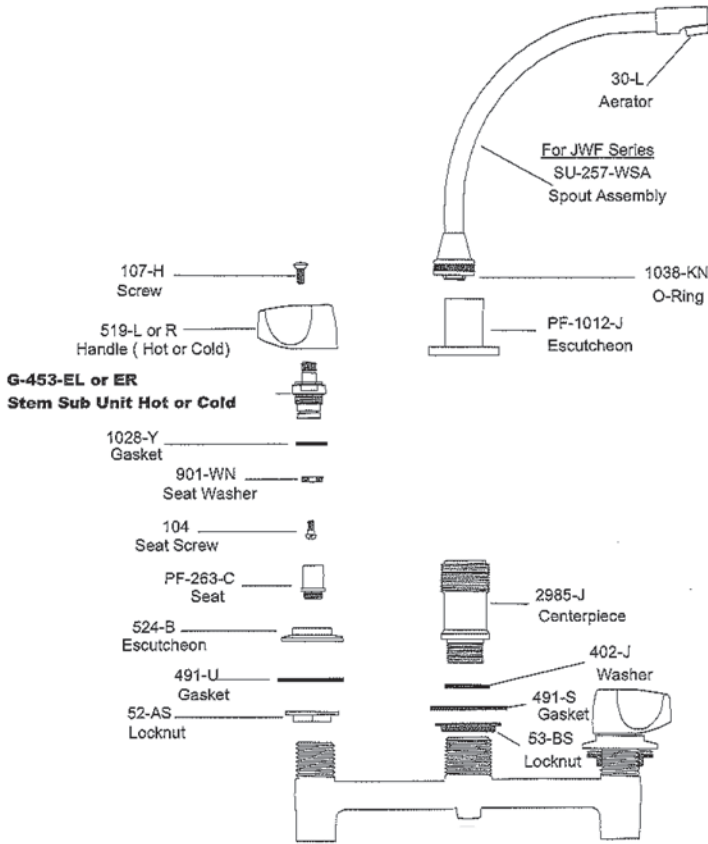
9233 KING STREET . FRANKLIN PARK . ILLINOIS . 60131-2111

PH: 847-678-5150 . FAX: 847-678-6817 . E-MAIL: custserv@justmfg.com . www.justmfg.com



FAUCET GROUP

CONCEALED MOUNT FAUCET



JUST MFG. COMPANY CONTINUES TO MAKE QUALITY AND FUNCTIONALITY A MARK OF THE JUST PRODUCT LINE. TO DO SO REQUIRES THAT WE RESERVE THE RIGHT TO CHANGE PRODUCT INFORMATION WITHOUT NOTICE. DIMENSIONS MAY VARY AND ARE SUBJET TO CHANGE WITHOUT NOTICE. NO RESPONSIBILITY IS ASSUMED FOR USE OF SUPERCEDED OR VOIDED DATA. FOR THE MOST CURRENT AND ACCURATE INFORMATION REGARDING THE COMPLETE LINE OF JUST SINKS, FAUCETS AND DRAINS, CLICK ON THE *SPEC LINE DRAWINGS* LINK ON OUR WEB SITE AT www.justmfg.com

JUST MANUFACTURING COMPANY	
9233 KING STREET . FRANKLIN PARK . ILLINOIS . 60131-2111	
PH: 847-678-5150	FAX: 847-678-6817
E-MAIL: custserv@justmfg.com . www.justmfg.com	