



JKS-770-1-NP

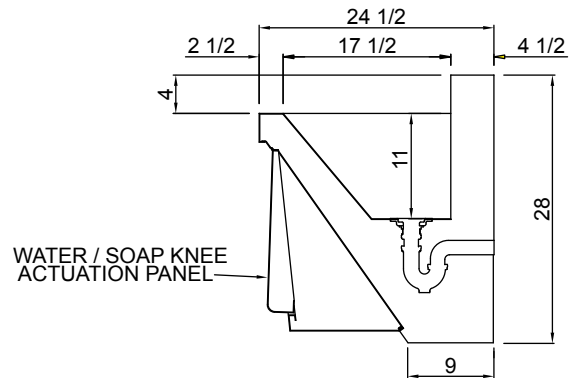
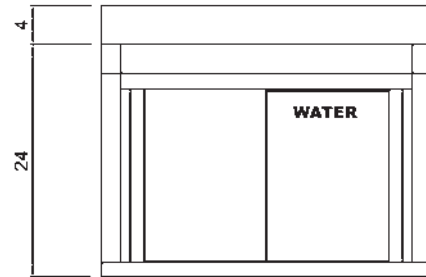
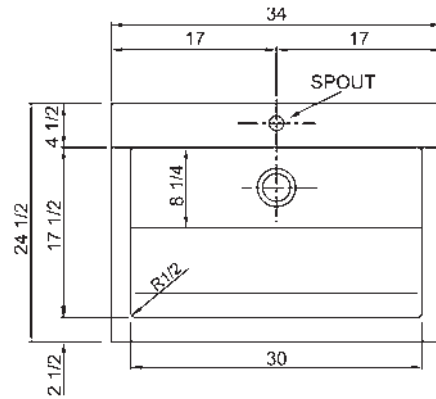
SURGEON'S SCRUB SINK
KNEE ACTIVATED - PRE-PIPED
WATER CONTROLS

SUBMITTAL DATA



SPECIFICATION

Seamless welded construction of 16 gauge type 304 stainless steel. Interior surfaces polished to a Hand-Blended Just Finish. Exposed exterior surfaces to have a standard brush finish. Underside of compartment to be sound deadened. Water activation with push-on/push-off hinged knee panel. Chrome plated spout with laminar flow control. JTM-47LF thermostatic mixing valve. Just J-35-SSF stainless steel flat grid drain installed. Unit is pre-piped for final hot and cold water connections. Wall support brackets integral to finished end panels. Stainless steel wall clips and chrome plated P-trap included



APPROVED FOR MANUFACTURING

MODEL NO.: **JKS-770-1-NP** QTY: _____

JOB NAME: _____

TAG/ITEM: _____

CUSTOMER: _____

SIGNATURE: _____



JUST MFG. COMPANY CONTINUES TO MAKE QUALITY AND FUNCTIONALITY A MARK OF THE JUST PRODUCT LINE. TO DO SO REQUIRES THAT WE RESERVE THE RIGHT TO CHANGE PRODUCT INFORMATION WITHOUT NOTICE. DIMENSIONS MAY VARY AND ARE SUBJECT TO CHANGE WITHOUT NOTICE. NO RESPONSIBILITY IS ASSUMED FOR USE OF SUPERCEDED OR VOIDED DATA. FOR THE MOST CURRENT AND ACCURATE INFORMATION REGARDING THE COMPLETE LINE OF JUST SINKS, FAUCETS AND DRAINS, CLICK ON THE **SPEC LINE DRAWINGS** LINK ON OUR WEB SITE AT www.justmfg.com

JUST MANUFACTURING COMPANY

9233 KING STREET . FRANKLIN PARK . ILLINOIS . 60131-2111

PH: 847-678-5150 . FAX: 847-678-6817 . E-MAIL: custserv@justmfg.com . www.justmfg.com



JKS-770-1-NP

SURGEON'S SCRUB SINK

KNEE ACTIVATED - PRE-PIPED WATER CONTROLS

Water Control Valve and Spout

Chrome plated deck mounted goose-neck faucet with laminar flow control.

Easy operation single push on / push off water control valve.



JTM-47LF Thermostatic Mixing Valve

Anti-scald mixing valve with bronze body with integral check valves and adjustment cap with locking feature. 1/2" sweat union inlet and outlet connections. Temperature range 60° to 120° F (16° C to 49° C). ASSE Standard 1016 Listed. Low Lead Certified to NSF 372.

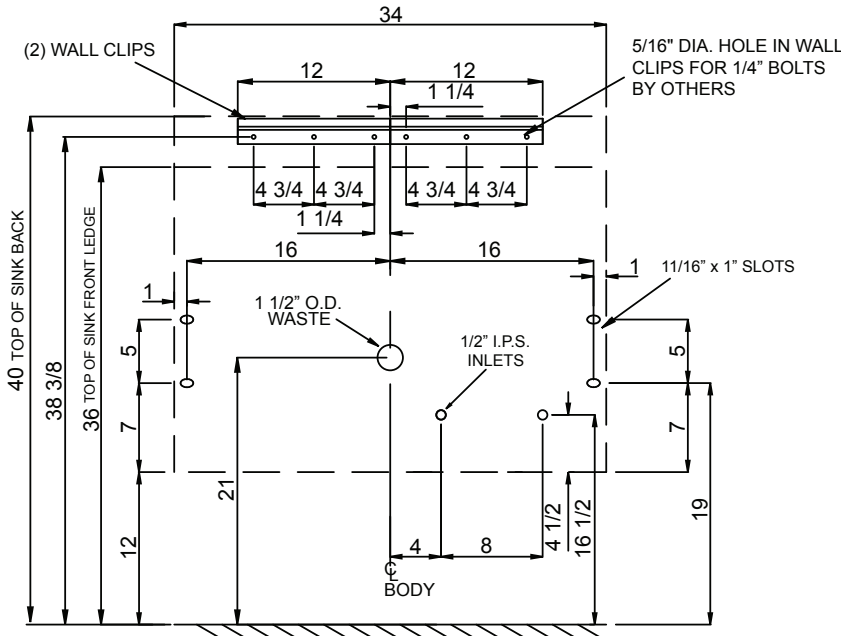
J-35-SSF Drain

Type 304 stainless steel drain body, stainless steel flat grid strainer and 1-1/2" O.D. stainless steel tailpiece, 4" long.

JT-150 P-Trap

Chrome plated cast brass 1-1/2" P-trap with cleanout. Drain pipe of 17 ga. chrome plated brass.

JKS-770-1 ROUGH-IN DATA



JUST MFG. COMPANY CONTINUES TO MAKE QUALITY AND FUNCTIONALITY A MARK OF THE JUST PRODUCT LINE. TO DO SO REQUIRES THAT WE RESERVE THE RIGHT TO CHANGE PRODUCT INFORMATION WITHOUT NOTICE. FOR THE MOST CURRENT AND ACCURATE INFORMATION REGARDING THE COMPLETE LINE OF JUST SINKS, FAUCETS AND DRAINS, CLICK ON THE SPEC LINE DRAWINGS LINK ON OUR WEB SITE AT www.justmfg.com

JUST MANUFACTURING COMPANY

9233 KING STREET . FRANKLIN PARK . ILLINOIS . 60131-2111

PH: 847-678-5150 . FAX: 847-678-6817 . E-MAIL: custserv@justmfg.com . www.justmfg.com