

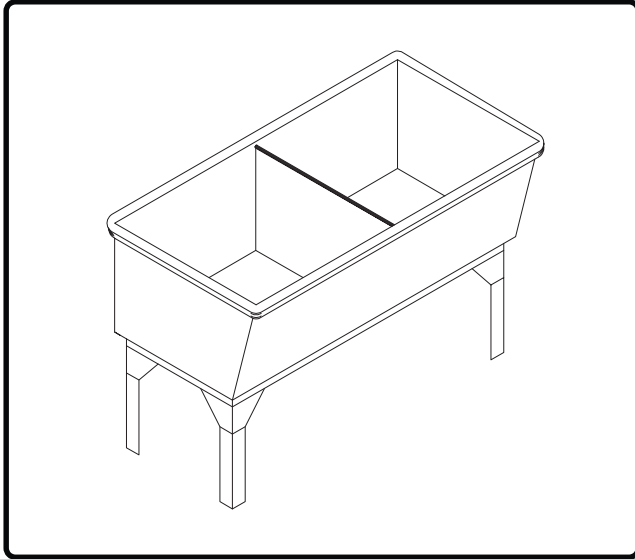


UNDERMOUNT GROUP

J-251

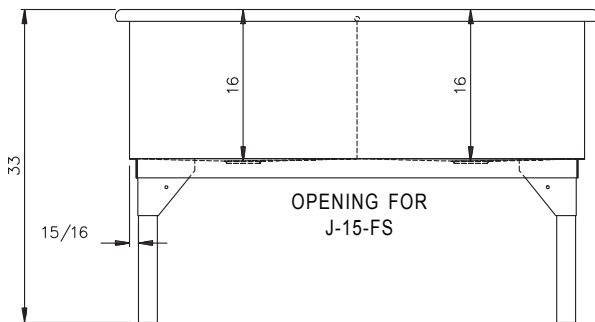
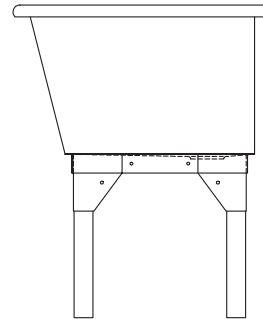
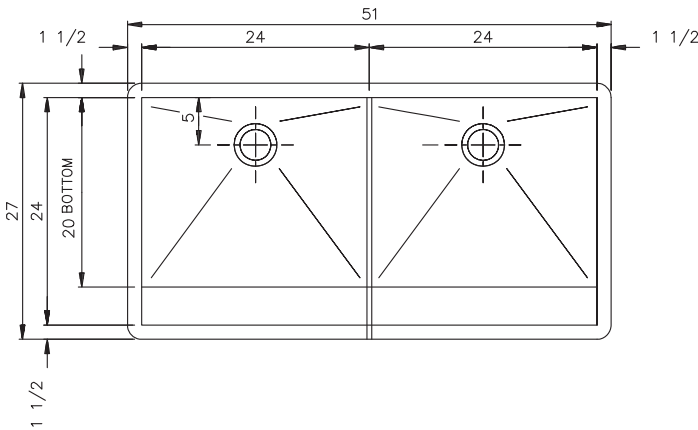
**LAUNDRY TUB
DOUBLE COMPARTMENT**

SUBMITTAL DATA



SPECIFICATION

Seamless welded construction, fabricated of 14 gauge type 304 stainless steel. 1-1/2" dia. roll rim on four sides. Interior surfaces polished to a Hand-Blended Just Finish. Exposed exterior surfaces polished with a standard brush finish. Includes four 14 gauge type 304 stainless steel legs with angle leg frame. Drain punched for J-15-FS drain unless otherwise specified.



FUNCTIONAL DESIGN, QUALITY, AND SPECIFICATIONS LISTED DESCRIBE THE JUST STANDARD OF QUALITY. WHEN MAKING COMPARISONS WITH OTHER OFFERINGS, INSIST ON THE JUST QUALITY OF CONSTRUCTION. FOR ADDITIONAL INFORMATION REGARDING THE COMPLETE LINE OF **JUST** SINKS, FAUCETS AND DRAINS, VISIT OUR WEB SITE AT www.justmfg.com

| |
|-----------------------------------|
| Job Name _____ |
| Customer _____ |
| Architect/Engineer _____ |
| APPROVED FOR MANUFACTURING |
| MODEL NO. <u>J-251</u> QTY. _____ |
| COMPANY _____ |
| TITLE _____ DATE _____ |
| SIGNATURE _____ |

REVISED-5/2004