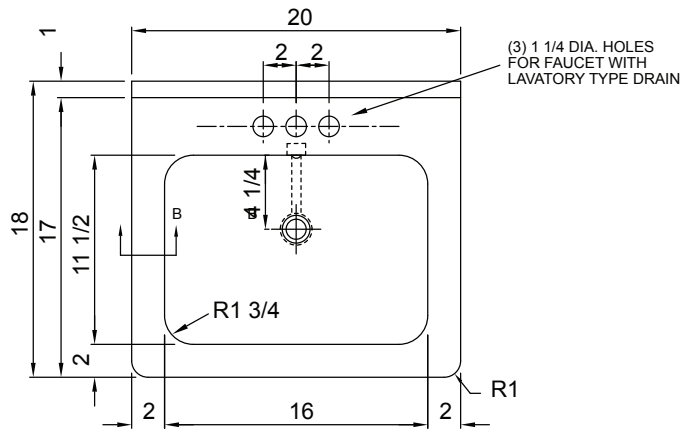




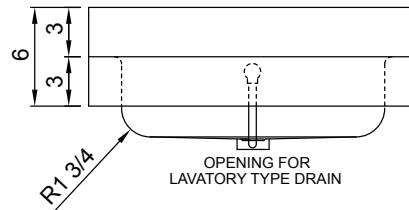
A-33338

**INSTITUTIONAL GROUP
WALL HUNG - LAVATORY**

SUBMITTAL DATA



WATER LEVEL IS 3 1/8"



**ADA
COMPLIANT**

SPECIFICATION

Seamless welded construction, fabricated of 18 gauge type 304 stainless steel, with integral-formed apron and backsplash. Exposed surfaces polished with Hand-Blended Just Finish. Underside coated to insulate for sound and reduce condensation. Drain punch for standard lavatory drain for Just J-115-FS drain with overflow. Furnished with one stainless steel wall clip and integral flange for wall mounting.

To Be Specified:	
<input checked="" type="checkbox"/>	Faucet Hole Punching:
<input type="checkbox"/>	(1) Hole Centered
<input type="checkbox"/>	(2) Holes on 4" centers
<input type="checkbox"/>	(3) Holes on 2" centers (illustrated)
<input type="checkbox"/>	Alternate Punching: Faucet Model: _____ Punching required: _____

APPROVED FOR MANUFACTURING

MODEL NO.: A-33338 QTY: _____

JOB NAME: _____

TAG/ITEM: _____

CUSTOMER: _____

SIGNATURE: _____



JUST MFG. COMPANY CONTINUES TO MAKE QUALITY AND FUNCTIONALITY A MARK OF THE JUST PRODUCT LINE. TO DO SO REQUIRES THAT WE RESERVE THE RIGHT TO CHANGE PRODUCT INFORMATION WITHOUT NOTICE. DIMENSIONS MAY VARY AND ARE SUBJECT TO CHANGE WITHOUT NOTICE. NO RESPONSIBILITY IS ASSUMED FOR USE OF SUPERCEDED OR VOIDED DATA. FOR THE MOST CURRENT AND ACCURATE INFORMATION REGARDING THE COMPLETE LINE OF JUST SINKS, FAUCETS AND DRAINS, CLICK ON THE **SPEC LINE DRAWINGS** LINK ON OUR WEB SITE AT www.justmfg.com

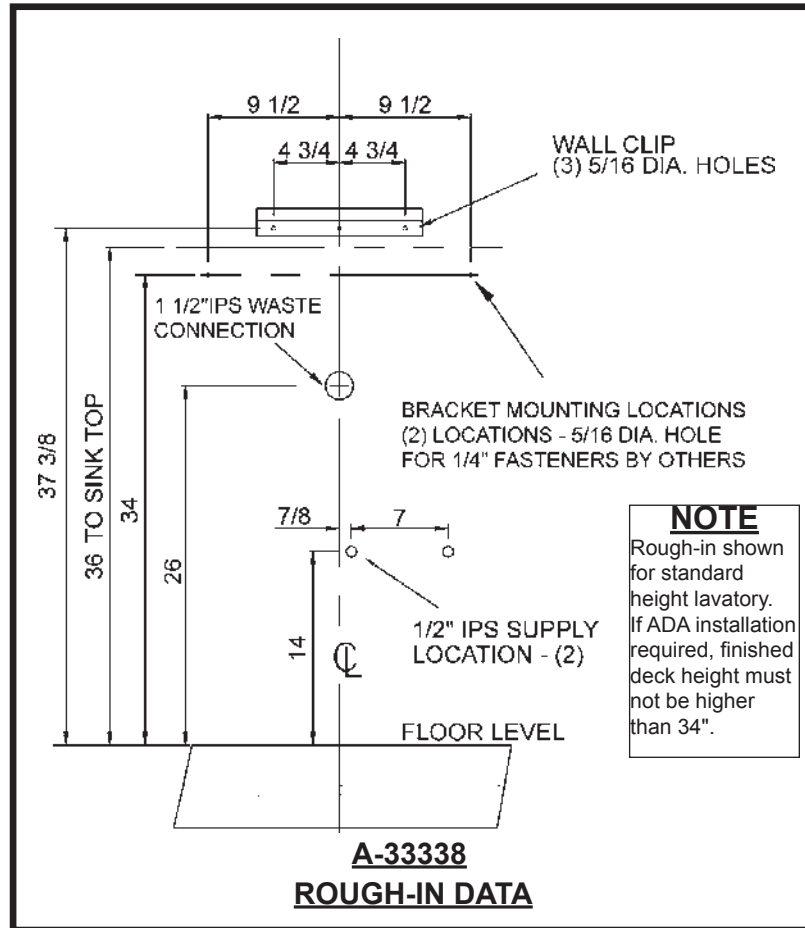
JUST MANUFACTURING COMPANY 9233 KING STREET . FRANKLIN PARK . ILLINOIS . 60131-2111
 PH: 847-678-5150 . FAX: 847-678-6817 . E-MAIL: custserv@justmfg.com . www.justmfg.com



A-33338

INSTITUTIONAL GROUP WALL-MOUNT LAVATORY

SUBMITTAL DATA



NOTE
Rough-in shown for standard height lavatory. If ADA installation required, finished deck height must not be higher than 34".