

**58680 SERIES ACCESS COVER**

**APPLICATION**

For use in finished or unfinished floors, inside or outdoors, subject to heavy wheel traffic, such as parking lots, warehouses or industrial areas. To provide access to cleanout plugs, valves, controls or other equipment.

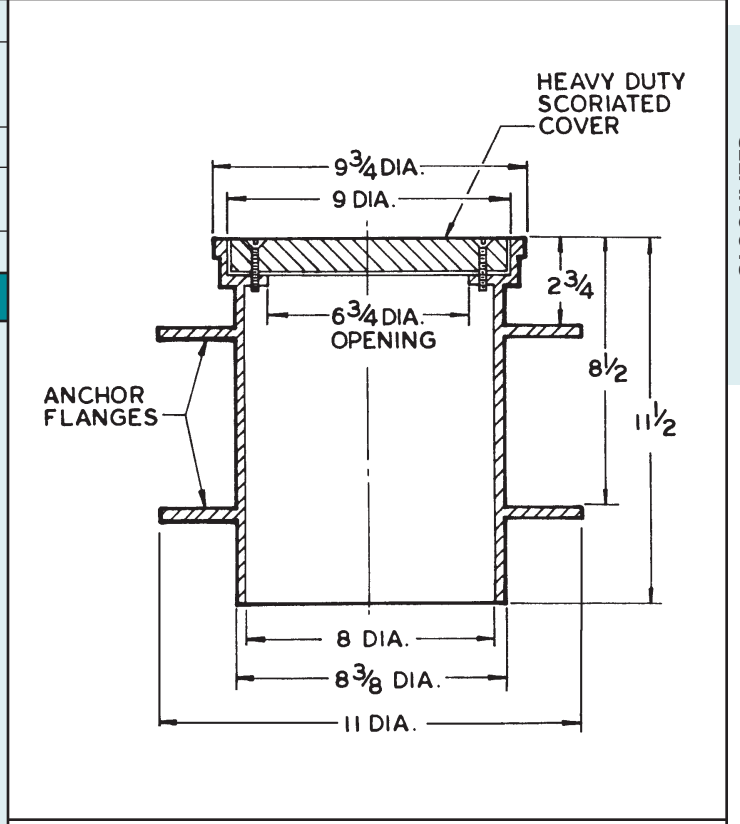
**SPECIFICATION**

JOSAM 58680 Series round coated cast iron Access Frame with anchor flanges and heavy-duty scoriated secured cover.

**Available Options**

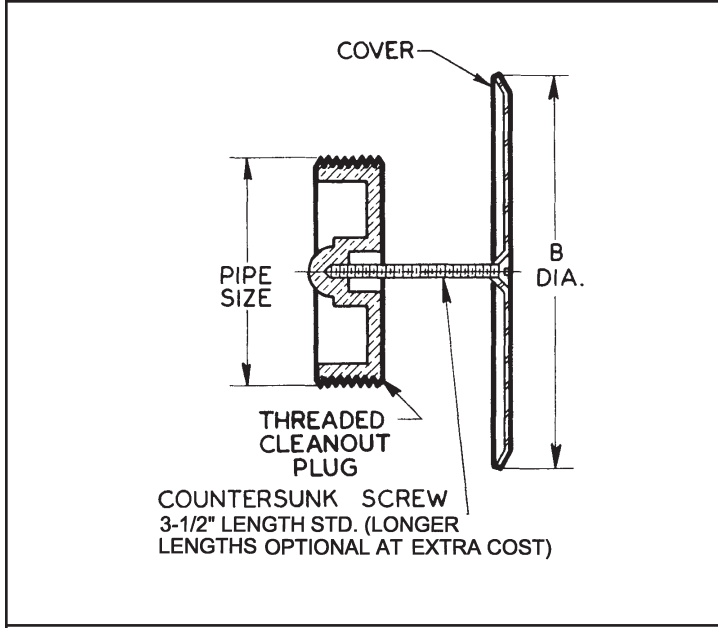
- 5 Ductile Iron Cover
- VP Secured Cover, Vandal-Proof Screws
- 26 Gasketed Cover
- 31 Galvanized Cast Iron Parts
- CO2 No-Hub Cleanout, 2"
- CO3 No-Hub Cleanout, 3"
- CO4 No-Hub Cleanout, 4"
- CO6 No-Hub Cleanout, 6"
- 20 Raised Head Bronze Plug

*Special Wording on Cover, SAN. or STORM, (Specify On Order)*



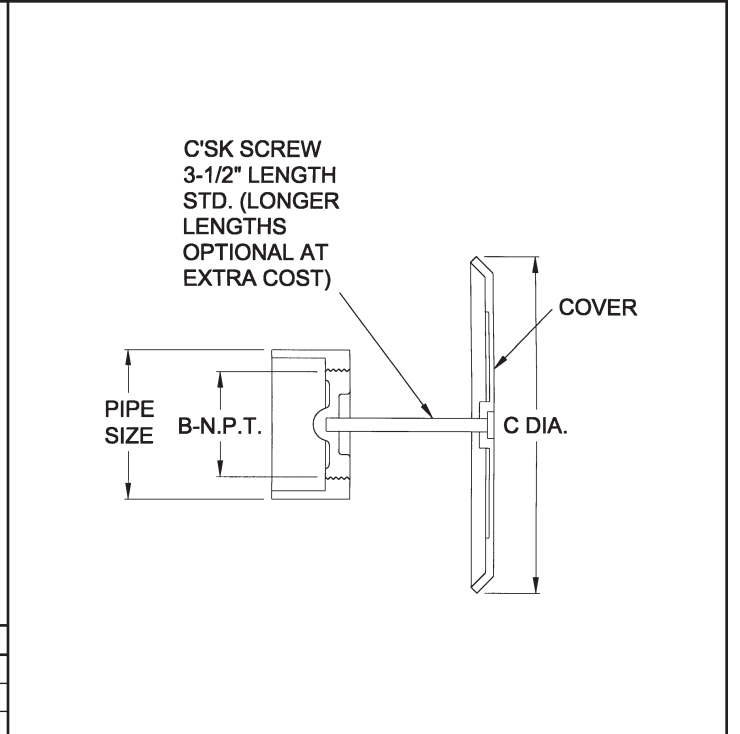
TYPE NO.	LBS.
58680	37

**58600-PLG SERIES**



TYPE NO	PIPE SIZE	B	LBS.
58604-PLG1-1/2	1-1/2	5-3/8	1
58604-PLG2	2	5-3/8	1
58604-PLG2-1/2	2-1/2	5-3/8	1
58604-PLG3	3	5-3/8	1
58604-PLG3-1/2	3-1/2	5-3/8	1
58606-PLG4	4	7-5/8	2
58606-PLG5	5	7-5/8	3
58606-PLG6	6	7-5/8	4

**58600-CO SERIES**



TYPE NO.	PIPE SIZE	B	C	LBS.
58604-CO2	2	1-1/2	5-3/8	6
58604-CO3	3	2-1/2	5-3/8	7
58604-CO4	4	3-1/2	5-3/8	9
58606-CO6	6	5-1/2	7-5/8	26