

## 38040 SERIES

## ROUND TOP & CLEANOUT

### APPLICATION

For use in moderate traffic areas, such as boiler rooms on or below grade where a deep seal trap protects against sewer gas and vermin and a floor level cleanout facilitates access to the drain line should blockage occur. The shallow side outlet roughs in where limited space is available. A flapper type backwater valve is optional for areas where backflow is anticipated.

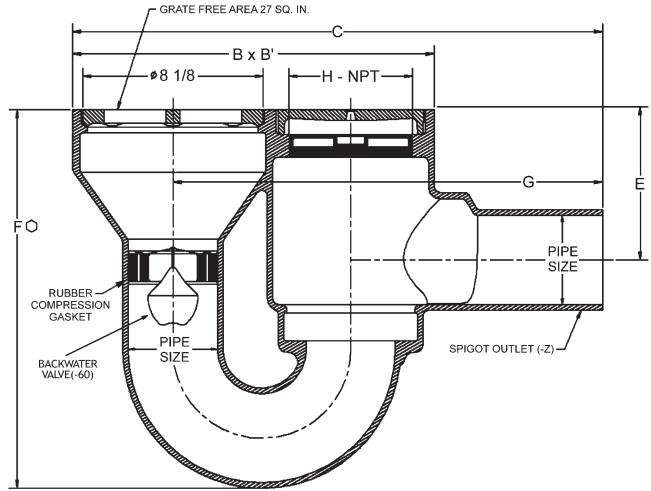
### SPECIFICATION

JOSAM 38040 Series coated cast iron combination Floor Drain and integral deep seal trap, side outlet spigot connection, round top, medium-duty, loose-set, SUPER-FLO® grate and cleanout protected by a tractor cover.

### Available Options

-1	Satin Finish Nikaloy Top	-84	Stainless Steel Mesh Bucket Liner
-2	Satin Finish Bronze Top	-88	Supplementary Strainer
-7	Ductile Iron Grate	-92	Galvanized Cast Iron Parts
-11	Extra-Heavy Grate, Cast Iron		
-15	Chained Grate	<b>OUTLET:</b>	
-VP	Secured Grate, Vandal-Proof Screws	-Z	No-Hub Outlet
-49	3/4" Primer Tap		
-50	1/2" Primer Tap		
-51	1-1/2" Auxiliary Threaded Inlet		
-52	2" Auxiliary Threaded Inlet		
-60	Backwater Valve		
-81	Slotted Cast Iron Bucket		
-81-92	Slotted Cast Iron Bucket, Galvanized		

- 38040 SLOT WIDTH 3/8"
- 38040-1 SLOT WIDTH 3/16"
- 38040-2 SLOT WIDTH 3/16"



- ADD 1/4" WHEN FURNISHED WITH NIKALOY OR BRONZE TOP.
- ▲ NOTE: THE 38043 USES A 38044 BODY WITH A 4 X 3 REDUCING COUPLING.

FOR OUTLET TYPE SPECIFY -Z

TYPE NO.	PIPE SIZE	B x B'	C	E	F	G	H	J	LBS.
38042	2	14-1/8 x 9	21-1/8	5-3/4	13-1/2	16-5/8	4	4-1/2	63
38043	3▲	16-1/4 x 9	23-7/8	6-3/4	17	19-3/8	5	4	67
38044	4	16-1/4 x 9	23-7/8	6-3/4	17	19-3/8	5	4	70

## 38250A SERIES

## ROUND TOP WITH CLEANOUT & BWV

### APPLICATION

For use in moderate traffic areas, such as basement storage rooms or any areas on or below grade where a deep seal trap protects against sewer gas and vermin and a floor level cleanout facilitates access to the drain line should blockage occur. The ball type backwater valve protects against backflow and the shallow side outlet roughs in where limited space is available.

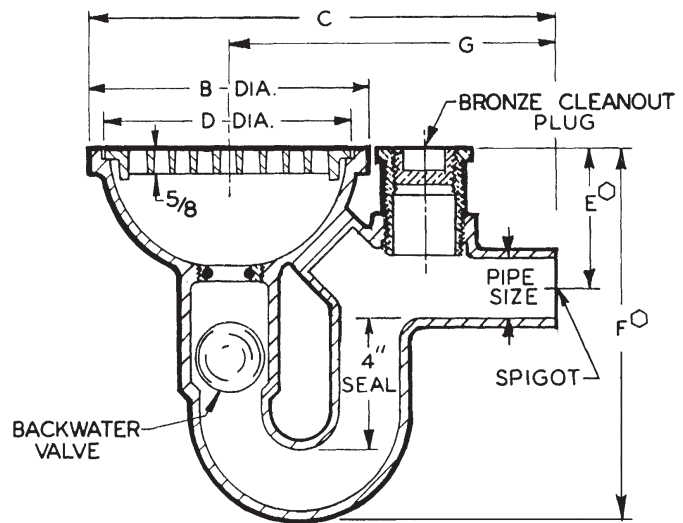
### SPECIFICATION

JOSAM 38250A Series coated cast iron combination Floor Drain and integral deep seal trap, side outlet spigot connection, round top, medium-duty, loose-set grate, flush-with-floor cleanout and ball type backwater valve.

### Available Options

-1	Satin Finish Nikaloy Top	<b>OUTLET:</b>	
-2	Satin Finish Bronze Top	-Z	No-Hub Outlet
-15	Chained Grate		
-VP	Secured Grate, Vandal-Proof Screws		
-61	Less Backwater Valve		
-92	Galvanized Cast Iron Parts		

SLOT WIDTH 7/16"



- ADD 1/4" WHEN FURNISHED WITH NIKALOY OR BRONZE TOP, TYPES 38252A & 38253A.
- ADD 1/2" WHEN FURNISHED WITH NIKALOY OR BRONZE TOP, TYPE 38254A.

FOR OUTLET TYPE SPECIFY -Z

TYPE NO.	PIPE SIZE	B	C	D	E	F	G	FREE AREA	LBS.
38252A	2	9	15	8	4-1/2	11-7/8	10-1/2	17.7	19
38253A	3	10	18	9	3-7/8	12-3/4	13	18.3	37
38254A	4	12-1/4	21	11	5-3/8	15-5/8	15	29.4	56