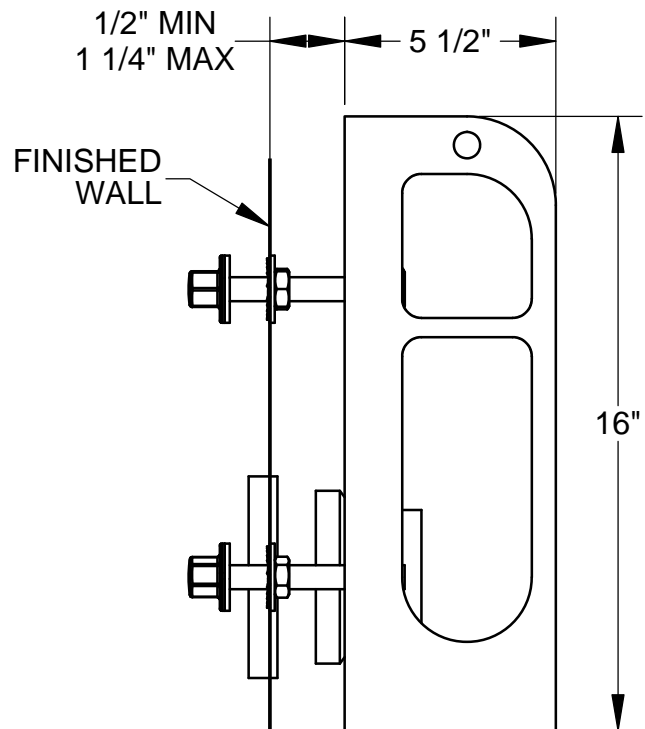
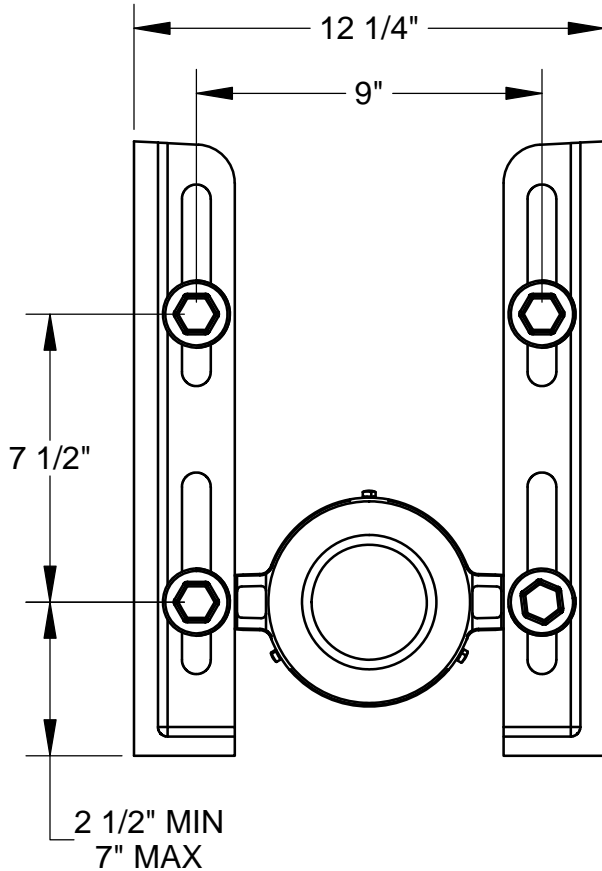
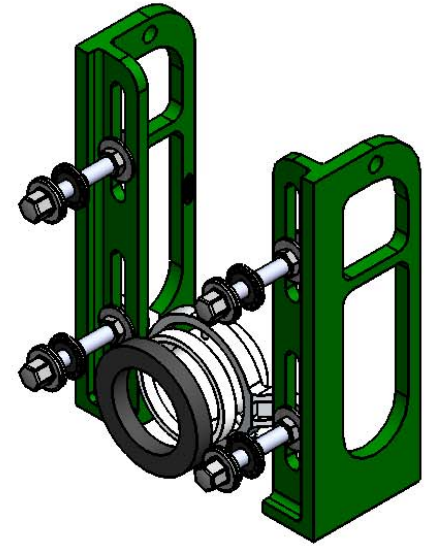
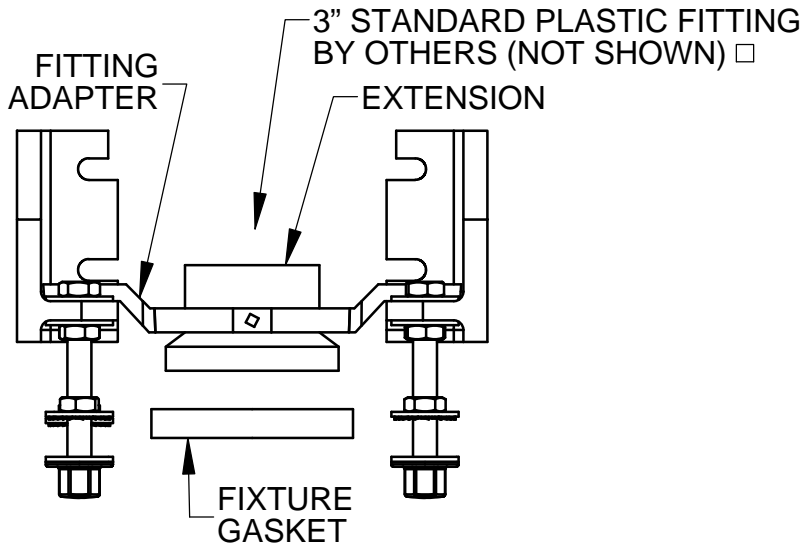


SPECIFICATION:

JOSAM 16123 SERIES COATED CAST IRON SINGLE COMMERCIAL CLOSET CARRIER AND 3" PVC PLASTIC FITTING ADAPTER WITH EXTENSION AND CHROME PLATED TRIM.

CLOSET CARRIER
FLOOR MOUNT, PVC ADAPTER TYPE

SERIES **16123**



-VP	VANDAL-PROOF TRIM
-1	POSITIONING FRAME
-6	SUPPLY PIPE SUPPORT (SPECIFY TYPE OF PIPE)
-13	ABS EXTENSION
-21	HANGER TYPE CLOSET ADAPTER

□ THIS CARRIER CAN ALSO BE USED WITH A 4X4X3 TEE.

JOSAM RECOMMENDS FEET BE SECURED TO FLOOR WITH 1/2" BOLTS AND ANCHORS (BY OTHERS).

DATE OF LAST CHANGE: 10/11/12

DIMENSIONS ARE SUBJECT TO MANUFACTURERS TOLERANCES AND CHANGE WITHOUT NOTICE. WE CAN ASSUME NO RESPONSIBILITY FOR USE OF SUPERSEDED OR VOID DATA.

JOSAM COMPANY
MICHIGAN CITY, INDIANA

NOTES