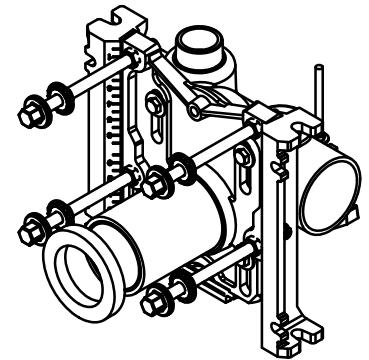
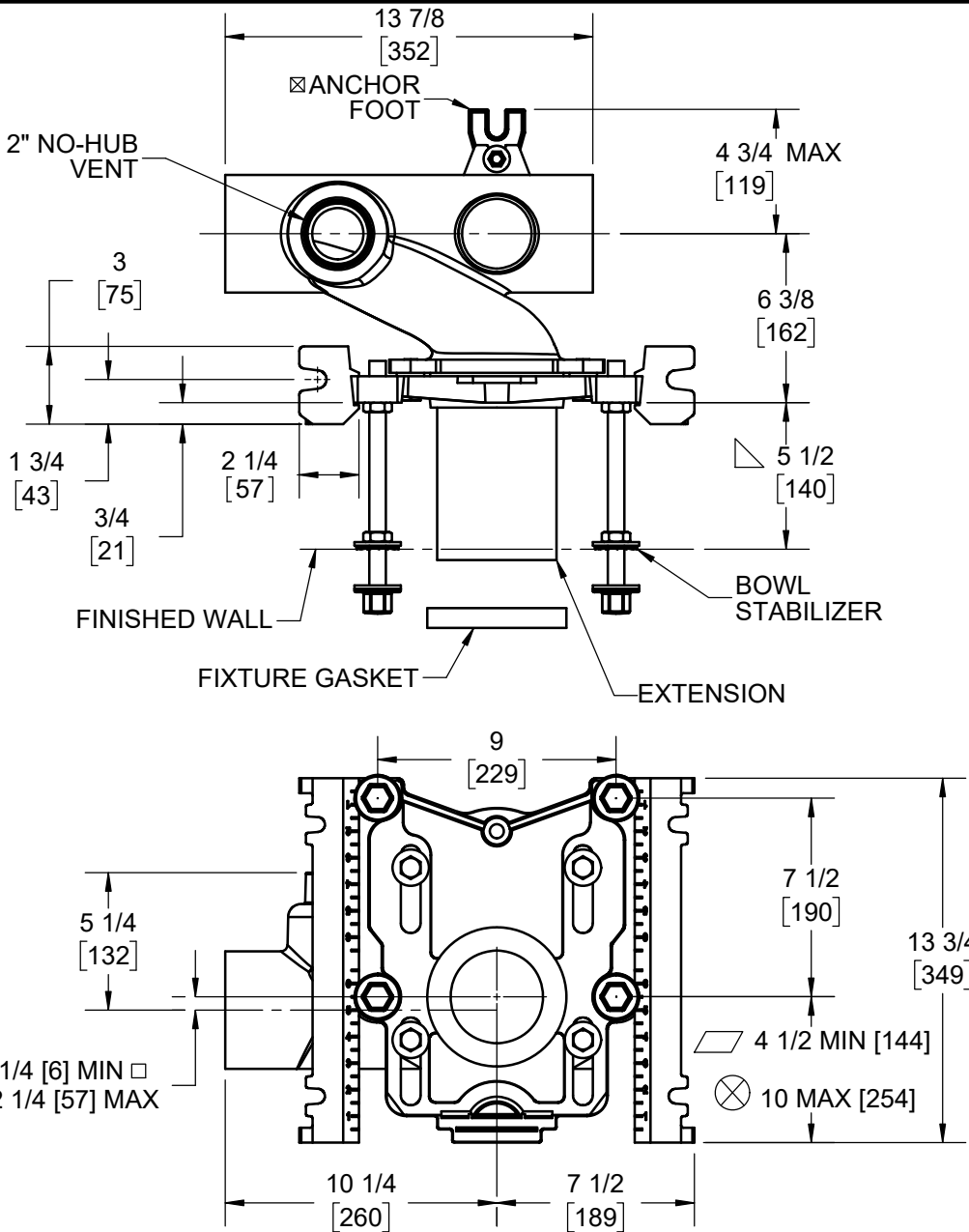


SPECIFICATION:

JOSAM 12684 SERIES COATED CAST IRON SINGLE HORIZONTAL 4" NO-HUB RIGHT-HAND OFFSET FITTING WITH 2" NO-HUB VENT AND ADJUSTABLE CARRIER BODY, INVERTIBLE FOR SIPHON JET OR BLOWOUT CLOSETS, WITH ABS EXTENSION WITH INTEGRAL TEST CAP, PYLON FEET, ANCHOR FOOT, PLATED HARDWARE AND NEOPRENE FIXTURE GASKET.

**CLOSET CARRIER
RIGHT HAND**

SERIES **12684**



▽ FOR DIMENSION SHORTER THAN 5-1/2" (1" MIN) CUT EXTENSION. FOR LONGER EXTENSION (10-1/2" MAX) SPECIFY (-10)

☒ RECOMMEND FEET BE SECURED TO FLOOR WITH 1/2" BOLTS AND ANCHORS (BY OTHERS).

⊗ FOR SIPHON JET ROUGHING OVER 6" OR BLOWOUT ROUGHING OVER 12-1/2" SPECIFY ON ORDER.

SIPHON JET DIMS SHOWN. FOR BLOWOUT DIMS, USE:

□ MIN 2" & MAX 4"

▱ MIN 11" & MAX 16 1/2"

⊙ AUX INLET IS 6" OFFSET FROM VENT

| | |
|----------|-------------------------------------|
| -XSD | EXTRA SPECIAL DUTY 1,000 LB CARRIER |
| -PF | NPT FCPLT AND EXT - STD |
| -OR | O-RING FCPLT AND EXT |
| -CR | COMP. RING FCPLT AND EXT |
| -PAF | PREFAB ADJUSTABLE FOOT |
| -SD | SPECIAL-DUTY 500 LB. CARRIER |
| -HS | HUB & SPIGOT |
| -AUX | AUXILIARY INLET (2" NO-HUB) |
| -HUB AUX | AUXILIARY INLET (2" HUB) |
| -VP | VANDAL-PROOF TRIM |

| | |
|-------|--------------------------------------------------|
| -6 | SUPPLY PIPE SUPPORT (SPECIFY TYPE OF PIPE) |
| -10 | ABS EXTENSION THROUGH 10-1/2" WALL |
| -24 | FLOOR MOUNTED BACK OUTLET CHINA BOWL |
| -30 | CAST IRON ADJ. EXTENSION W/ CONNECTOR |
| -30-2 | CAST IRON ADJ. EXTENSION W/ CONNECTOR & TEST CAP |
| -32 | CARRIER FOR WIDE CHASE INSTALLATIONS |
| -35 | CARRIER FOR WHEELCHAIR HIGH ROUGH |
| -58 | HORIZONTAL NO-HUB CAST LONG BARREL |
| -1 | POSITIONING FRAME |

DATE OF LAST CHANGE: 08/08/19

DIMENSIONS ARE SUBJECT TO MANUFACTURERS TOLERANCES AND CHANGE WITHOUT NOTICE. WE CAN ASSUME NO RESPONSIBILITY FOR USE OF SUPERSEDED OR VOID DATA.

JOSAM

MICHIGAN CITY, INDIANA

NOTES