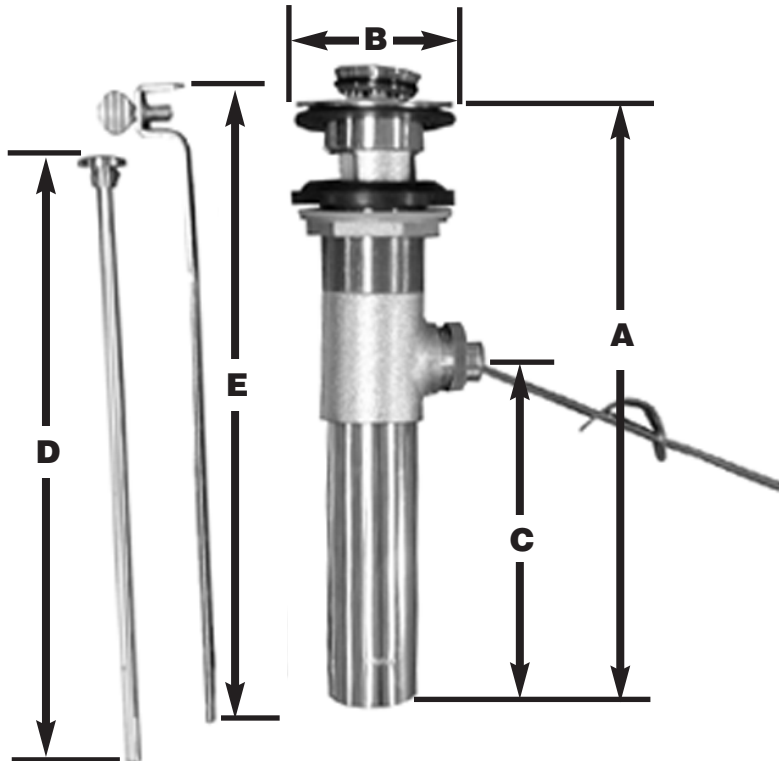


SPECIFICATION SUBMITTAL SHEET

j o n e s s t e p h e n s c o r p o r a t i o n

POLISHED BRASS POP-UP ASSEMBLY



PART NO: P35-002

features and benefits:

- PVD durable finish
- 1¹/₄" tubular
- All metal construction
- Tool free locknut and ballrod nut
- Boxed

This product and others like it can be found in the Jones Stephens catalog. Call today to order your catalog or download it from our website: www.plumbest.com

PART NO.	DESCRIPTION	A	B	C	D	E
<input type="checkbox"/> P35-002	PB Pop-Up Assembly	8"	2 1/8"	4 5/8"	8 3/16"	8 9/16"

jones stephens corporation
 3249 moody parkway • moody, alabama 35004
 toll free phone: 1-800-355-6637 • toll free fax: 1-800-462-6991
www.plumbest.com