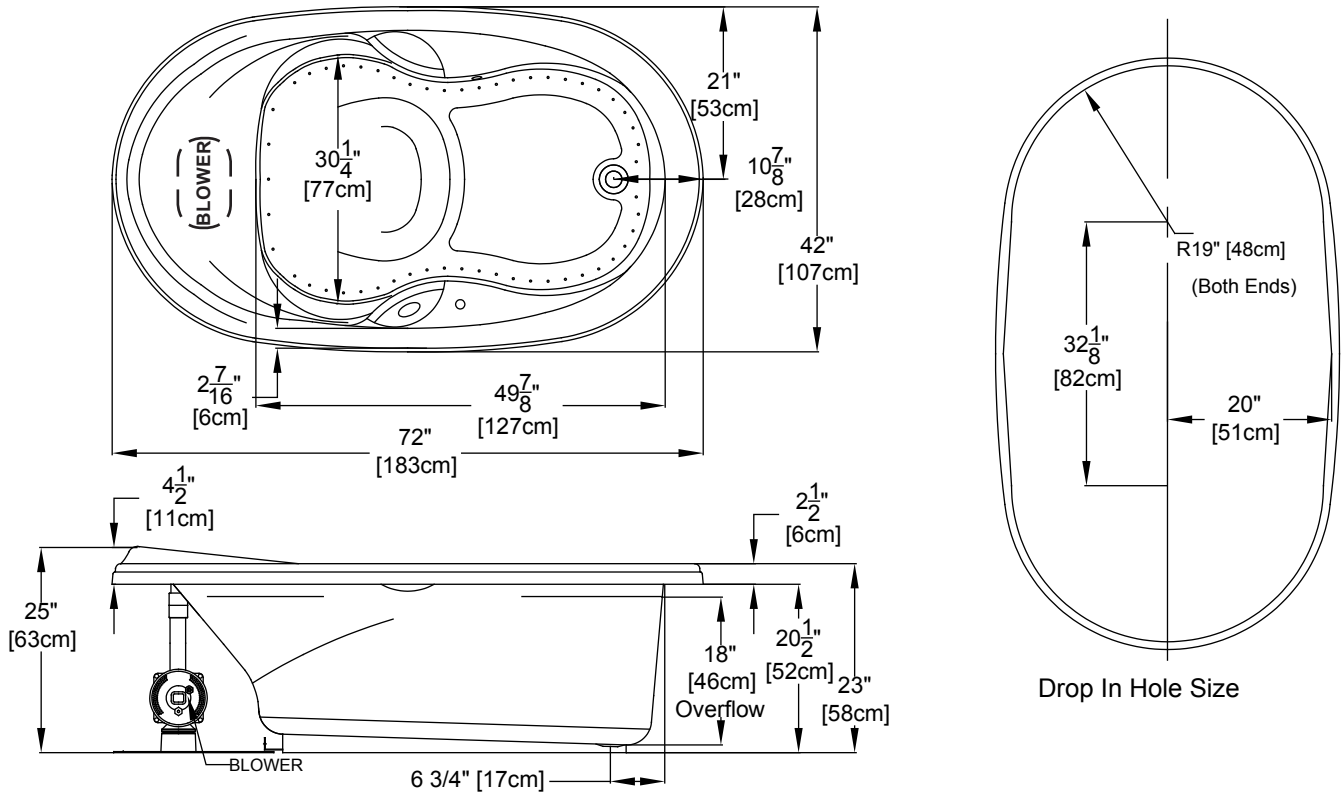


Designer Collection Specifications

AirMasseur[®] & Soaking- LX635



Patents received or pending.




Note: Dimensional Tolerances: ±1/4"

Note: The pump and blower extend approximately 1" past the end radius of the bath. This requires angling the bath into the drop-in hole.

- Drop-in-Hole Size:** See Diagram
- Operating Capacity:** 66 Gal.
- Overflow Capacity:** 86 Gal.
- Floor Loading / sq.ft. (A/S):** 55.6/ 54.5 lbs.
- Carton Wt. (Air/Soaking):** 150/ 133 lbs.
- Cube:** 51.8 ft.³

Construction: Fiberglass reinforced acrylic bath with Level Form™ full-support base.

We provide products listed with Intertek ETL SEMKO (Edison Testing Laboratories) U.S. and Canadian and with International Association of Plumbing and Mechanical Officials (IAPMO). Consult factory with your listing requirements.

Standard		A 120V system that includes a 1HP, variable speed air blower with integral air heater; automatic purge cycle; an electronic control that operates blower and blower speed for continuous, pulse or wave massage modes; and a 20-minute timer. The keypad also operates the optional LED Chromotherapy mood light.
Premier		A 120V system that includes a 1HP, variable speed air blower with integral air heater, Chromotherapy mood light, Automatic Ozone System; an electronic control that operates blower and blower speed for continuous, pulse or wave massage modes; automatic purge cycle; and a 20-minute timer. The keypad also operates the LED Chromotherapy mood light.
Signature		A 240V system that includes a 1HP, variable speed air blower with integral air heater, Chromotherapy mood light, Automatic Ozone System; a digital control with LCD display window; automatic purge cycle; and a 20-minute timer. Control keypad operates the blower and blower speed for continuous, pulse or wave massage modes, LED Chromotherapy mood light and shows blower speed, water temperature and time remaining. Includes a floating Universal Remote Control that operates all functions of blower and LED Chromotherapy mood light plus TV, DVD, CD, etc.