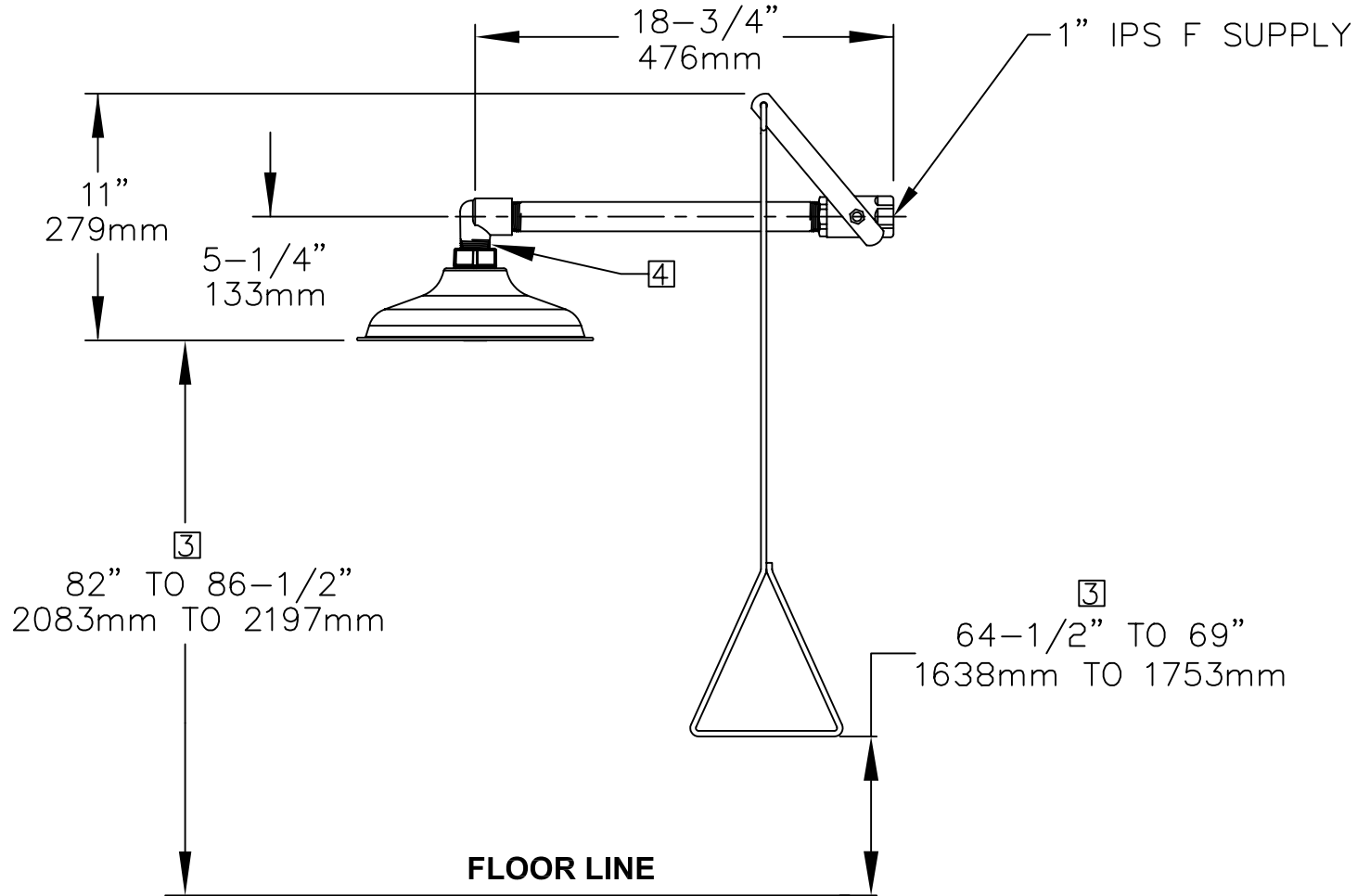


# HORIZONTAL SUPPLY (STANDARD)



**NOTES:**

1. DIMENSIONS MAY VARY BY ± 1/2 INCH [13mm].
2. TO COMPLY WITH ANSI Z358.1-2009 FOR EMERGENCY EYEWASH OR EYE/FACE WASH AND SHOWER EQUIPMENT:
  - UNIT SHALL BE INSTALLED IN ACCORDANCE WITH MANUFACTURER'S INSTRUCTIONS AND ACCEPTABLE PLUMBING PRACTICES.
  - SHOWER SHALL BE POSITIONED SO THAT SHOWER HEAD IS NOT LESS THAN 208.3 CM (82 IN.) NOR MORE THAN 243.8 CM (96 IN.) FROM SURFACE ON WHICH USER STANDS.
  - SHOWER SPRAY PATTERN SHALL HAVE A MINIMUM DIAMETER OF 50.8 CM (20 IN.) AT 152.4 CM (60 IN.) ABOVE SURFACE ON WHICH USER STANDS, AND CENTER OF SPRAY PATTERN SHALL BE LOCATED AT LEAST 40.6 CM (16 IN.) FROM ANY OBSTRUCTION.

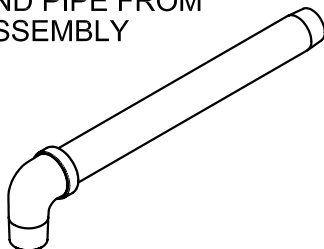
3] FOLLOWING THESE DIMENSIONS WILL AUTOMATICALLY PROVIDE ADHERENCE TO ANSI REQUIREMENTS STATED ABOVE.

4] DO NOT USE REGULAR PIPE SEALANT. IF NECESSARY USE DOW CORNING 832 SEALANT PLACING 5 SMALL BEADS ON THE MALE THREADS, JUST ABOVE THE FIRST THREAD.

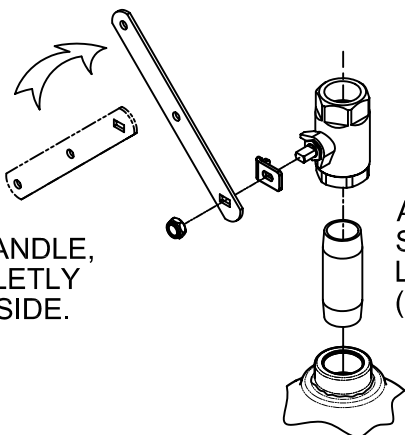
		1455 KLEPPE LANE SPARKS, NEVADA 89431 (775) 359-4712 FAX (775) 359-7424 E-MAIL: HAWS@HAWS.CO.COM WEBSITE: WWW.HAWS.CO.COM	
		PART NUMBER: <b>0002080129.D</b>	
ECN NO.: TRF	REVISED PER: ECN: 4367	BY: IR	MODEL(S): <b>8130 DRENCH SHOWER</b>
DRAWN: TRF	DATE: 5/21/09	CHKD: IR	INFO FAX DOC #: 281304
APPROVED:	DATE:	SCALE: 3:1	DRAWING TYPE: INSTALLATION/FAXBACK
		DRAWING NUMBER: <b>09426A00</b>	REV: <b>14</b>
		SIZE: A	SHEET 1 OF 2

### FOR VERTICAL SUPPLY (RECONFIGURE AS SHOWN)

REMOVE ELBOW AND PIPE FROM ASSEMBLY

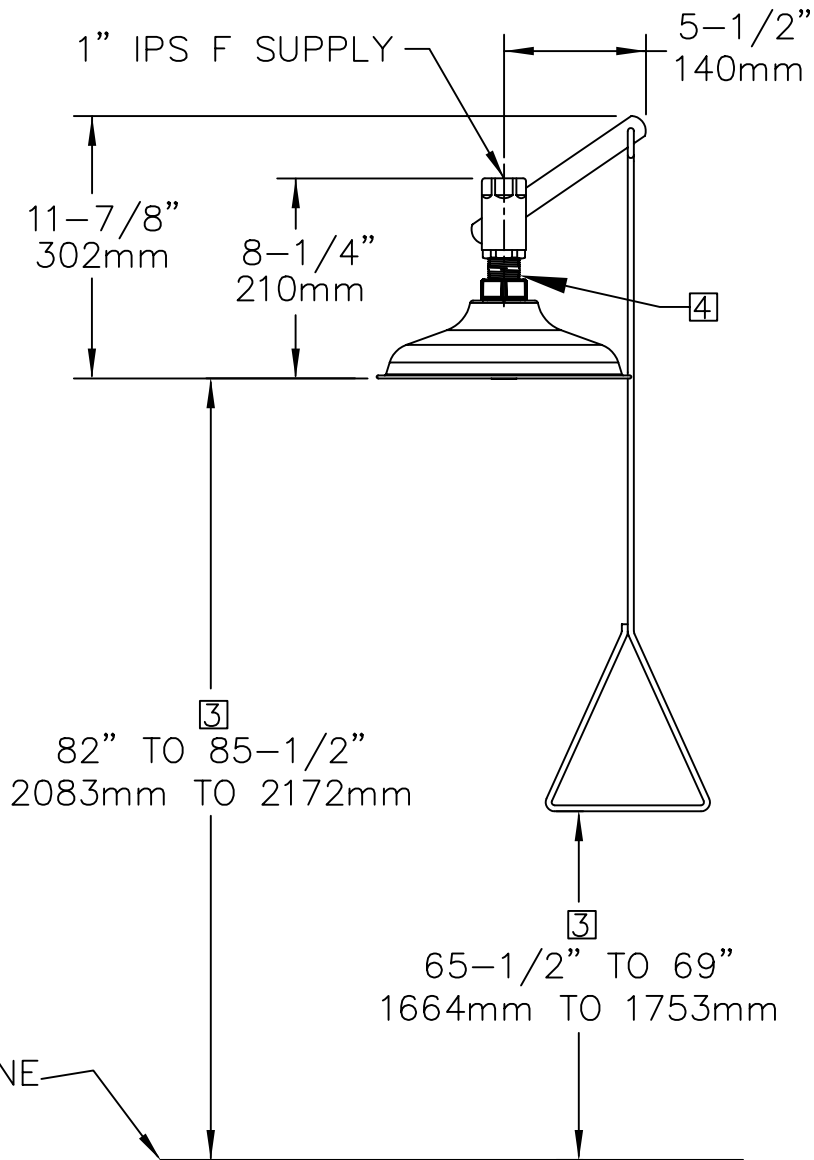


REMOVE HANDLE, FLIP COMPLETELY TO OTHER SIDE. REATTACH.



ASSEMBLE SHORTER 2" LONG NIPPLE (SUPPLIED)

SHOWER HEAD



NOTES:

1. DIMENSIONS MAY VARY BY ± 1/2 INCH [13mm].
2. TO COMPLY WITH ANSI Z358.1-2009 FOR EMERGENCY EYEWASH OR EYE/FACE WASH AND SHOWER EQUIPMENT:
  - UNIT SHALL BE INSTALLED IN ACCORDANCE WITH MANUFACTURER'S INSTRUCTIONS AND ACCEPTABLE PLUMBING PRACTICES.
  - SHOWER SHALL BE POSITIONED SO THAT SHOWER HEAD IS NOT LESS THAN 208.3 CM (82 IN.) NOR MORE THAN 243.8 CM (96 IN.) FROM SURFACE ON WHICH USER STANDS.
  - SHOWER SPRAY PATTERN SHALL HAVE A MINIMUM DIAMETER OF 50.8 CM (20 IN.) AT 152.4 CM (60 IN.) ABOVE SURFACE ON WHICH USER STANDS, AND CENTER OF SPRAY PATTERN SHALL BE LOCATED AT LEAST 40.6 CM (16 IN.) FROM ANY OBSTRUCTION.

3 FOLLOWING THESE DIMENSIONS WILL AUTOMATICALLY PROVIDE ADHERENCE TO ANSI REQUIREMENTS STATED ABOVE.

4 DO NOT USE REGULAR PIPE SEALANT. IF NECESSARY USE DOW CORNING 832 SEALANT PLACING 5 SMALL BEADS ON THE MALE THREADS, JUST ABOVE THE FIRST THREAD.

		1455 KLEPPE LANE SPARKS, NEVADA 89431 (775) 359-4712 FAX (775) 359-7424 E-MAIL: HAWS@HAWSCO.COM WEBSITE: WWW.HAWSCO.COM	
		PART NUMBER: <b>0002080129.D</b>	
ECN NO. TRF	REVISED PER ECN: 4367	BY IR	MODEL(S): <b>8130 DRENCH SHOWER</b>
DRAWN DATE: 5/21/01	CHECKED DATE:	INFO FAX DOC #: 281304	DRAWING NUMBER: <b>09426A00</b>
APPROVED:	DATE:	SCALE: 8:1	DRAWING TYPE: INSTALLATION/FAXBACK
		SIZE: A	SHEET 2 OF 2