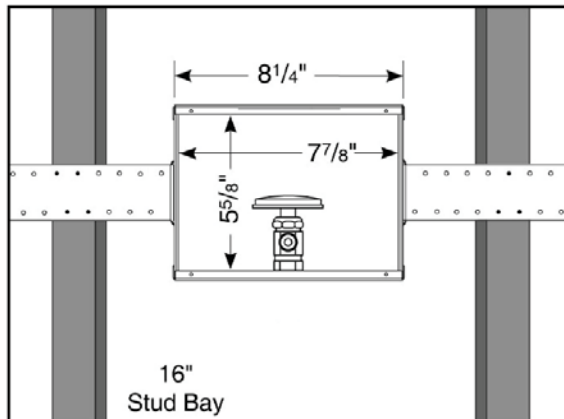
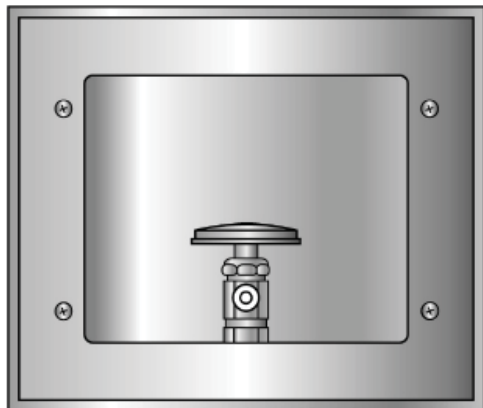


SPECIFICATION SUBMITTAL SHEET



GALVANIZED ICE MAKER OUTLET BOX with Lead Free Domestic Valve



Specifications:

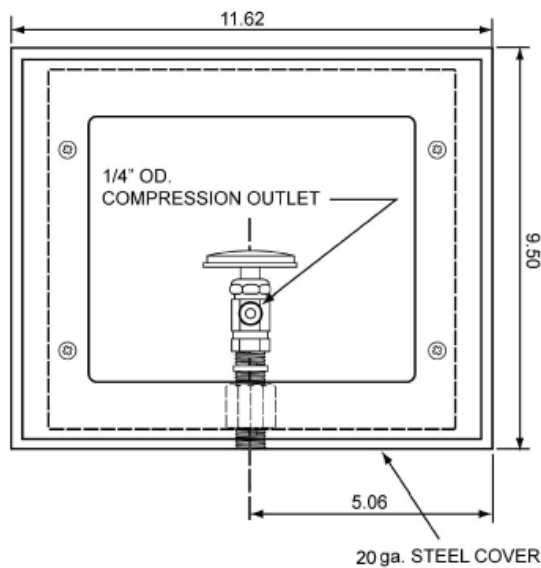
Furnish and install galvanized ice maker box. Unit shall be Guy Gray product code checked below as manufactured by IPS Corporation.

Box Material:

G90 Hot Dipped Galvanized Steel (unpainted)
20 gauge box with 20 gauge faceplate

Valve & Drain Options:

Lead free Domestic Valve with 1/2" MIP/Sweat, CPVC or PEX connection. Valves comply with ASME A112.18.1.



Item #	Product Description	Model #	Quantity
88158	Lead Free Domestic Valve - 1/2" Sweat Conx.	BIM875AB	5
96997	Tamper resistant cover for Models B, BB, WB, FB, & BIM	BTRC	6

