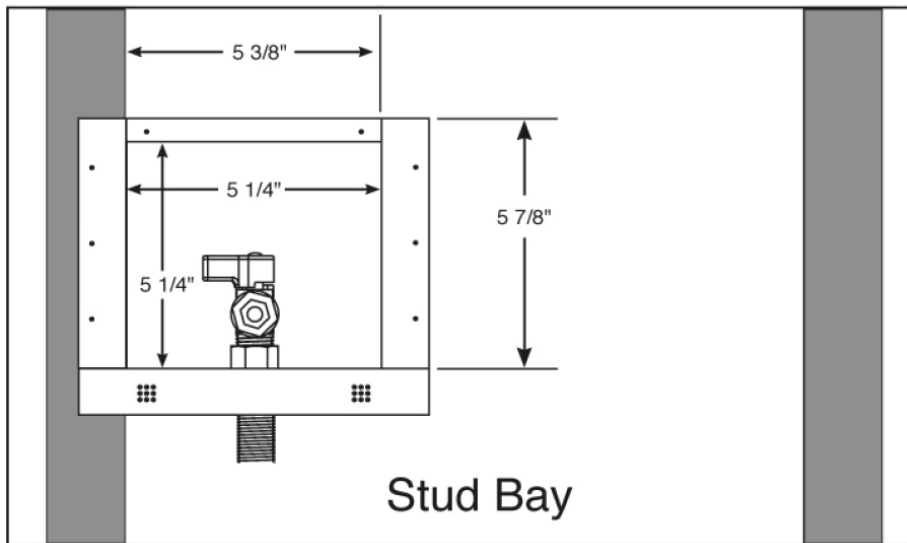


SPECIFICATION SUBMITTAL SHEET



“FR-12” METAL FIRE RATED ICE MAKER OUTLET BOX with Lead Free Quarter Turn Valve



Specifications:

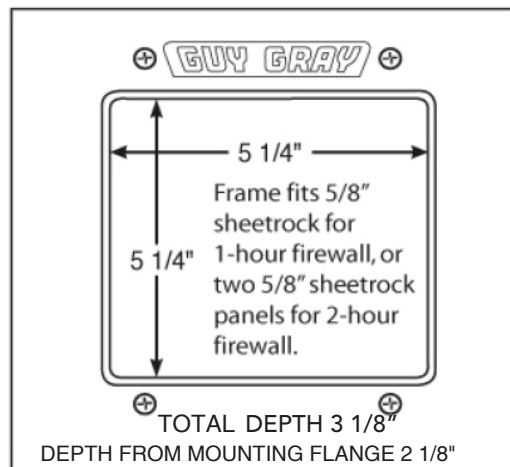
Furnish and install recessed fire rated ice maker outlet box. Unit shall have a lead free quarter-turn ball valve. Unit shall be Guy Gray product code checked below as manufactured by IPS Corporation.

Box Material:

White Powder Coat on Cold Rolled Steel Finish & Intumescent Pad

Valve & Drain Options:

Qtr. Turn Valve kit with 1/2" MIP/Sweat, CPVC, PEX or Wirsbo connection furnished. Kit includes valves, locknuts and o-rings.



Item #	Product Description	Model #	Quantity
82390	Lead Free Qtr Turn Valve, 1/2" Sweat Connection	FRMIB12ABS	5
82393	Lead Free Qtr Turn Valve, 1/2" CPVC Connection	FRMIB12ABC	5
82395	Lead Free Qtr Turn Valve, 1/2" PEX® Connection	FRMIB12ABP	5
82397	Lead Free Qtr Turn Valve, 1/2" Wirsbo® Connection	FRMIB12ABW	5

