
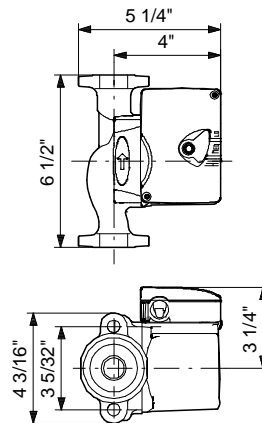
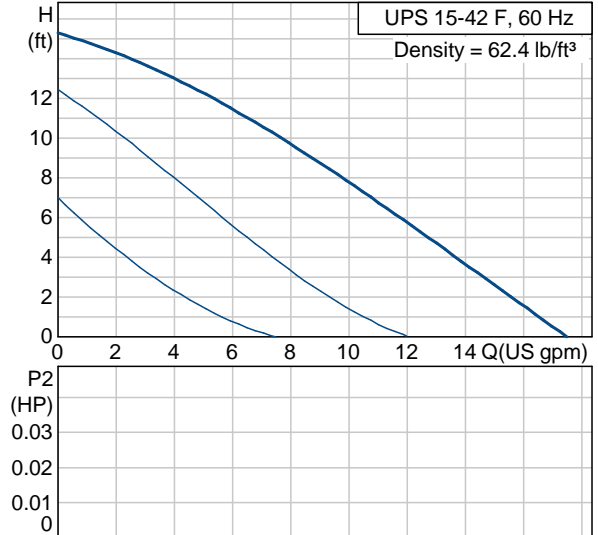




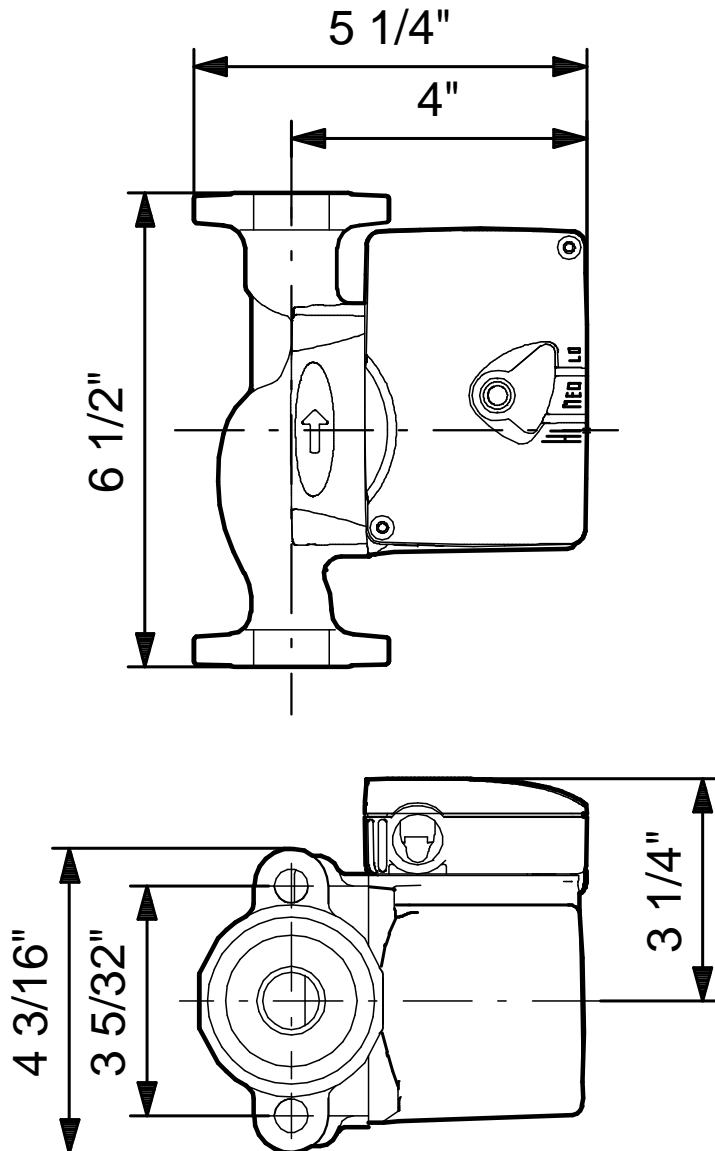
Position	Count	Description	Unit price
	-1	<p><b>UPS 15-42</b></p>  <p>Product photo could vary from the actual product</p> <p>Product No.: 59896180                      The pump is of the canned rotor type, i.e. pump and motor form an integral unit without shaft seal and with only two gaskets for sealing. The bearings are lubricated by the pumped liquid. The pump is characterized by:</p> <ul style="list-style-type: none"> <li>* Ceramic shaft and radial bearings.</li> <li>* Carbon axial bearing.</li> <li>* Stainless steel rotor can and bearing plate.</li> <li>* Corrosion-resistant impeller, Composite, PES.</li> <li>* Cast iron pump housing.</li> </ul> <p>The motor is a 1-phase motor.                      No additional motor protection is required.</p> <p><b>Liquid:</b>                      Liquid temperature range: 35.6 .. 230 °F                      Density: 62.4 lb/ft³</p> <p><b>Technical:</b>                      Maximum operating pressure: 145 psi                      Approvals on nameplate: UL, CSA</p> <p><b>Materials:</b>                      Pump housing: Cast iron                      EN-JL1030                      ASTM 30 B                      Impeller: Composite, PES</p> <p><b>Installation:</b>                      Maximum ambient temperature: 104 °F                      Ambient max at 176°F liquid: 176 °F                      Maximum operating pressure: 145 psi                      Flange standard: USA Oval                      Type of connection: C.I. Flange                      Pipe connection: 2 - Bolt Flange                      Pressure stage: 10                      Port-to-port length: 6 1/2 in</p>	On request

Position	Count	Description	Unit price
		<p><b>Electrical data:</b></p> <p>Number of poles: 2</p> <p>Power input in speed 1: 30 W</p> <p>Power input in speed 2: 40 W</p> <p>Max. power input: 92 W</p> <p>Rated power - P2: 0.04 HP</p> <p>Main frequency: 60 Hz</p> <p>Rated voltage: 1 x 230 V</p> <p>Current in speed 1: 0.14 A</p> <p>Current in speed 2: 0.19 A</p> <p>Current in speed 3: 0.41 A</p> <p>Capacitor size - run: 2 µF/400 V</p> <p>Insulation class (IEC 85): F</p> <p><b>Others:</b></p> <p>Gross weight: 7.25 lb</p>	

Description	Value
Product name:	UPS 15-42 F
Product Number:	59896180
EAN number:	5700391413896
<b>Technical:</b>	
Speed Number:	3
Max flow:	17.6 US gpm
Head max:	15.4 ft
Maximum operating pressure:	145 psi
Approvals on nameplate:	UL, CSA
<b>Materials:</b>	
Pump housing:	Cast iron EN-JL1030 ASTM 30 B
Impeller:	Composite, PES
<b>Installation:</b>	
Maximum ambient temperature:	104 °F
Ambient max at 176°F liquid:	176 °F
Maximum operating pressure:	145 psi
Flange standard:	USA Oval
Type of connection:	C.I. Flange
Pipe connection:	2 - Bolt Flange
Pressure stage:	10
Port-to-port length:	6 1/2 in
<b>Liquid:</b>	
Liquid temperature range:	35.6 .. 230 °F
Density:	62.4 lb/ft <sup>3</sup>
<b>Electrical data:</b>	
Number of poles:	2
Power input in speed 1:	30 W
Power input in speed 2:	40 W
Max. power input:	92 W
Rated power - P2:	0.04 HP
Main frequency:	60 Hz
Rated voltage:	1 x 230 V
Current in speed 1:	0.14 A
Current in speed 2:	0.19 A
Current in speed 3:	0.41 A
Capacitor size - run:	2 µF/400 V
Insulation class (IEC 85):	F
Motor protection:	CONTACT
Thermal protec:	internal
<b>Controls:</b>	
Pos term box:	9H
<b>Others:</b>	
Gross weight:	7.25 lb



59896180 UPS 15-42 F 60 Hz



Note! All units are in [mm] unless others are stated.  
Disclaimer: This simplified dimensional drawing does not show all details.