

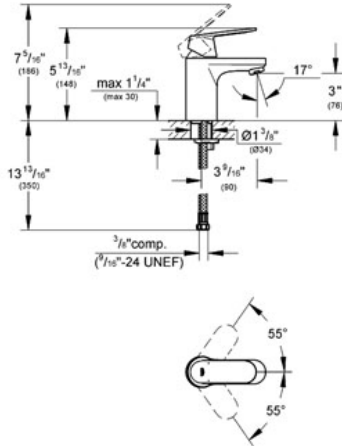
# EUROSMART COSMOPOLITAN Lavatory Centerset S-Size

MODEL # 32877

GROHE America, Inc | 200 North Gary Avenue, Suite G, Roselle, IL 60172  
Phone: +1 (800) 444-7643 | Fax: +1 (800) 225-2778 | us-customerservice@grohe.com

Pure Freude an Wasser

**GROHE**



## Product Description: Lavatory Centerset S-Size

### Standard Specification:

- GROHE StarLight® finish
- GROHE SilkMove® ceramic cartridge
- GROHE QuickFix™ installation system with centering support
- Single hole installation
- Metal lever
- Adjustable flow rate limiter
- Adjustable minimum flow rate approx. 1.0 gpm
- Flow control
- Smooth body
- Stainless Steel Braided Flexible Supplies
- Optional temperature limiter ref. no. 46 375
- Noise classification 1 in accordance with DIN4109 incl. certificate
- **DVGW Reg. No. ordered**
- Max Flow Rate 1.5 gpm (5.7 L/min)

### Applicable Codes & Standards:

- Energy Policy Act of 1992
- NSF 61
- ASME A112.18.1/CSA B125.1
- US Federal and State material regulations
- EPA WaterSense®
- ICC/ANSI A117.1

### Color:

□ 32877