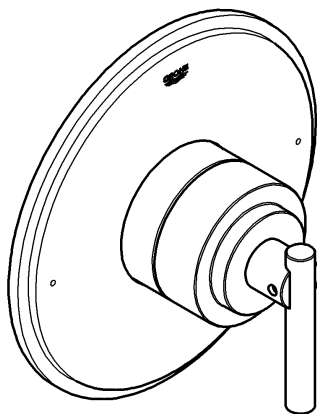
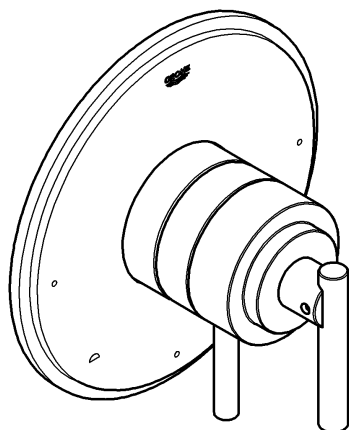


19 866



19 867



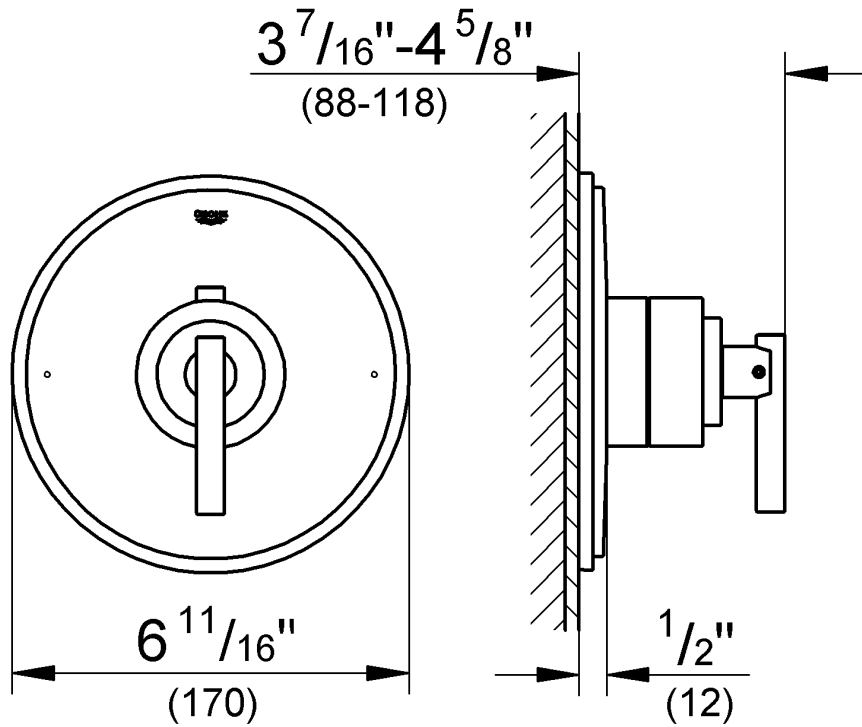
English .....1  
Français .....6  
Español ....11

Design & Quality Engineering GROHE Germany

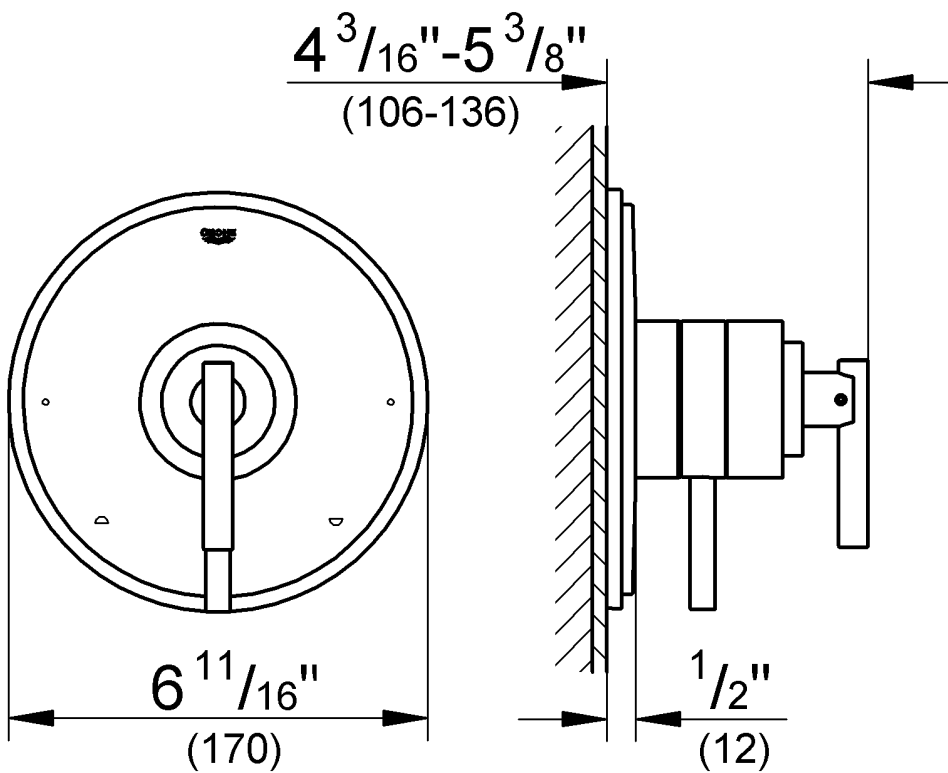
99.793.031/ÄM 219326/10.11

**GROHE**  
  
ENJOY WATER®

**Type #1**  
**19 866**

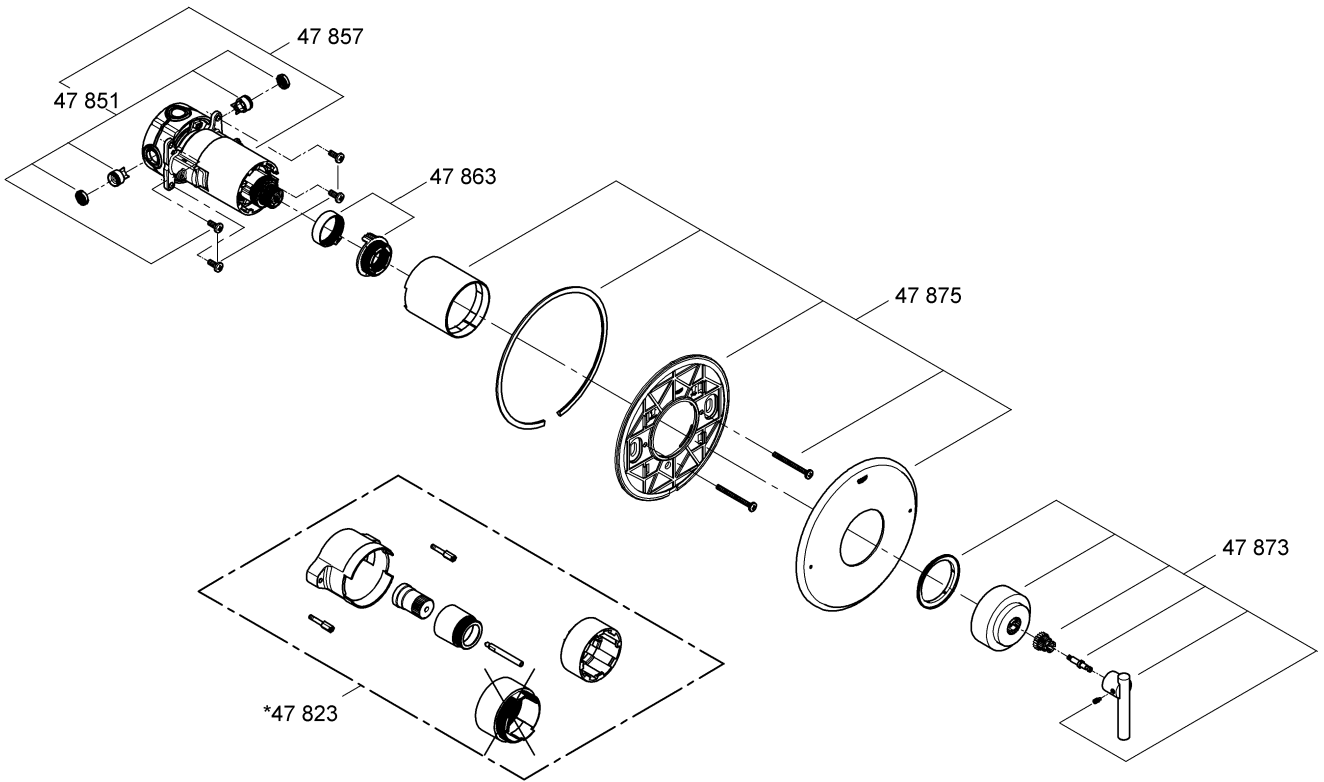


**Type #2**  
**19 867**



Please pass these instructions on to the end user of the fitting!  
S.v.p remettre cette instruction à l'utilisateur de la robinetterie!  
Entregue estas instrucciones al usuario final de la grifería!

**Type #1**  
**19 866**



**Type #2**  
**19 867**

