



Air Conditioning & Heating

SSZ14

HIGH-EFFICIENCY

SPLIT SYSTEM HEAT PUMP

Up to 15 SEER & 8.5 HSPF

COOLING CAPACITY: 18,000 TO 57,600 BTU/H

HEATING CAPACITY: 18,000 TO 59,000 BTU/H

Contents

Nomenclature	2
Product Specifications	3
Expanded Cooling Data	4
Expanded Heating Data	18
AHRI Ratings.....	20
Dimensions	36
Wiring Diagrams	37
Accessories	39



Standard Features

- R-410A chlorine-free refrigerant
- High-efficiency scroll compressor
- High density foam compressor sound blanket
- SmartShift™ technology to ensure quiet reliable defrost
- Factory-installed bi-flow liquid-line filter drier
- Factory-installed suction-line accumulator
- Factory-installed compressor crankcase heater
- Factory-installed high-capacity muffler
- High- and low-pressure switches
- Service valves with sweat connections and easy access to gauge ports
- Copper tube/enhanced aluminum fin coil
- Fully charged for 15' of tubing length
- Contactor with lug connection
- Ground lug connection
- AHRI Certified; ETL Listed

Cabinet Features

- Goodman® brand sound control top design
- Steel louver coil guard
- Heavy-gauge galvanized-steel cabinet
- Attractive Architectural Gray powder-paint finish with 500-hour salt-spray approval
- Top and side maintenance access
- Service ports and controls are accessible while unit is operating
- When properly anchored, meets the 2010 Florida Building Code unit integrity requirements for hurricane-type winds (Anchor bracket kits available.)



* Complete warranty details available from your local dealer or at www.goodmanmfg.com. To receive the Lifetime Compressor Limited Warranty (good for as long as you own your home) and the 10-Year Parts Limited Warranty, online registration must be completed within 60 days of installation. Online registration is not required in California or Quebec.

NOMENCLATURE

	S	S	Z	14	036	1	A	A		
	1	2	3	4,5	6,7,8	9	10	11		
Brand	G Goodman® (Standard Feature Set Models)		S Goodman® (High Feature Set Models)							Engineering * Minor Revision
Product Category	S Split System							Engineering * Major Revision		
Unit Type	C Condenser R-22		X Condenser R-410A		H Heat Pump R-22		Z Heat Pump R-410A			
Efficiency	13 13 SEER		14 14 SEER		16 16 SEER					
							Electrical			
							1	208/230 V, 1 Phase, 60 Hz		
							2	220/240 V, 1 Phase, 50 Hz		
							3	208/230 V, 3 Phase, 60 Hz		
							4	460 V, 3 Phase, 60 Hz		
							5	380/415 V, 3 Phase, 50 Hz		
							Nominal Capacity			
	018		1½ Tons		048		4 Tons			
	024		2 Tons		060		5 Tons			
	030		2½ Tons		090		7½ tons			
	036		3 Tons		120		10 Tons			
	042		3½ Tons							
	* Neither used for order entry or inventory management.									



SPECIFICATIONS

	SSZ14 0181A	SSZ14 0241A	SSZ14 0301A	SSZ14 0361B	SSZ14 0421A	SSZ14 0481A	SSZ14 0601A
NOMINAL CAPACITIES							
Cooling (BTU/h)	18,000	24,000	30,000	36,000	42,000	48,000	60,000
Heating (BTU/h)	18,000	24,000	30,000	36,000	42,000	48,000	60,000
Decibels	70	72	72	74	73	74	75
COMPRESSOR							
RLA	9.0	12.8	14.1	14.1	17.9	19.9	26.4
LRA	48.0	58.3	73.0	77.0	112.0	109.0	134.0
CONDENSER FAN MOTOR							
Horsepower	1/12	1/6	1/6	¼	¼	¼	¼
FLA	0.6	1.1	1.0	1.5	1.5	1.5	1.5
REFRIGERATION SYSTEM							
Refrigerant Line Size ¹							
Liquid Line Size ("O.D.)	⅜"	⅜"	⅜"	⅜"	⅜"	⅜"	⅜"
Suction Line Size ("O.D.)	¾"	¾"	¾"	⅞"	1⅞"	1⅞"	1⅞"
Refrigerant Connection Size							
Liquid Valve Size ("O.D.)	⅜"	⅜"	⅜"	⅜"	⅜"	⅜"	⅜"
Suction Valve Size ("O.D.)	¾"	¾"	¾"	¾"	⅞"	⅞"	⅞"
Valve Connection Type	Sweat	Sweat	Sweat	Sweat	Sweat	Sweat	Sweat
Refrigerant Charge	140	160	185	186	210	270	275
ELECTRICAL DATA							
Volts-Hz	208/230-60	208/230-60	208/230-60	208/230-60	208/230-60	208/230-60	208/230-60
Minimum Circuit Ampacity ²	11.9	17.1	18.6	19.1	23.9	26.4	34.5
Max. Overcurrent Protection ³	20	25	30	30	40	45	60
Min / Max Volts	197 / 253	197 / 253	197 / 253	197 / 253	197 / 253	197 / 253	197 / 253
Electrical Conduit Size	½" or ¾"	½" or ¾"	½" or ¾"	½" or ¾"	½" or ¾"	½" or ¾"	½" or ¾"
EQUIPMENT WEIGHT (LBS)							
	173	183	185	192	246	278	292
SHIP WEIGHT (LBS)							
	191	201	203	210	268	300	314

¹ Tested and rated in accordance with AHRI Standard 210/240

² Wire size should be determined in accordance with National Electrical Codes; extensive wire runs will require larger wire sizes

³ Must use time-delay fuses or HACR-type circuit breakers of the same size as noted.

NOTES

- Always check the rating plate for electrical data on the unit being installed.
- Installer will need to supply ⅞" to 1⅞" adapters for suction line connections.
- Unit is charged with refrigerant for 15' of ⅜" liquid line. System charge must be adjusted per Installation Instructions Final Charge Procedure.
- Installation of these units requires the specified TXV Kit to be installed on the indoor coil. THE SPECIFIED TXV IS DETERMINED BY THE OUTDOOR UNIT NOT THE INDOOR COIL.

EXPANDED COOLING DATA — SSZ140181A* / CA*F3131*6A* +TXV / MBR800** -1

IDB	OUTDOOR AMBIENT TEMPERATURE												ENTERING INDOOR WET BULB TEMPERATURE												
	65°F				75°F				85°F				95°F				105°F				115°F				
	59	63	67	71	59	63	67	71	59	63	67	71	59	63	67	71	59	63	67	71	59	63	67	71	
70	MBh	17.6	18.3	20.0	-	17.2	17.9	19.6	-	16.8	17.4	19.1	-	16.4	17.0	18.6	-	15.6	16.2	17.7	-	14.4	15.0	16.4	-
	S/T	0.74	0.62	0.43	-	0.76	0.64	0.44	-	0.78	0.65	0.45	-	0.81	0.67	0.47	-	0.84	0.70	0.49	-	0.85	0.71	0.49	-
	ΔT	18	15	12	-	18	16	12	-	18	16	12	-	18	16	12	-	18	15	12	-	17	14	11	-
	kW	1.17	1.19	1.23	-	1.25	1.28	1.32	-	1.33	1.36	1.40	-	1.40	1.43	1.47	-	1.45	1.48	1.53	-	1.50	1.53	1.58	-
	Amps	4.2	4.3	4.4	-	4.5	4.6	4.8	-	4.9	5.0	5.2	-	5.3	5.4	5.6	-	5.6	5.7	5.9	-	5.9	6.1	6.3	-
75	Hi PR	213	229	242	-	239	257	271	-	271	292	308	-	309	333	351	-	348	374	395	-	384	413	436	-
	Lo PR	107	113	124	-	113	120	131	-	117	124	136	-	123	131	143	-	129	137	150	-	133	142	155	-
	MBh	17.1	17.7	19.4	-	16.7	17.3	19.0	-	16.3	16.9	18.5	-	15.9	16.5	18.1	-	15.1	15.7	17.2	-	14.0	14.5	15.9	-
	S/T	0.70	0.59	0.41	-	0.73	0.61	0.42	-	0.75	0.62	0.43	-	0.77	0.64	0.45	-	0.80	0.67	0.46	-	0.81	0.67	0.47	-
	ΔT	18	16	12	-	19	16	12	-	19	16	12	-	19	16	12	-	19	16	12	-	17	15	11	-
70	kW	1.16	1.18	1.22	-	1.24	1.27	1.31	-	1.32	1.35	1.39	-	1.38	1.41	1.46	-	1.44	1.47	1.52	-	1.49	1.52	1.57	-
	Amps	4.2	4.3	4.4	-	4.5	4.6	4.8	-	4.9	5.0	5.2	-	5.2	5.3	5.5	-	5.5	5.7	5.9	-	5.9	6.0	6.2	-
	Hi PR	210	227	239	-	236	254	268	-	269	289	305	-	306	329	348	-	344	370	391	-	380	409	432	-
	Lo PR	105	112	122	-	111	119	129	-	116	123	134	-	122	129	141	-	127	136	148	-	132	140	153	-
	MBh	15.8	16.4	17.9	-	15.4	16.0	17.5	-	15.1	15.6	17.1	-	14.7	15.2	16.7	-	14.0	14.5	15.9	-	12.9	13.4	14.7	-
75	S/T	0.68	0.57	0.39	-	0.70	0.59	0.41	-	0.72	0.60	0.42	-	0.74	0.62	0.43	-	0.77	0.64	0.45	-	0.78	0.65	0.45	-
	ΔT	19	16	12	-	19	16	12	-	19	16	12	-	19	17	13	-	19	16	12	-	18	15	12	-
	kW	1.13	1.15	1.19	-	1.21	1.24	1.28	-	1.29	1.31	1.35	-	1.35	1.38	1.42	-	1.41	1.44	1.48	-	1.45	1.48	1.53	-
	Amps	4.1	4.2	4.3	-	4.4	4.5	4.6	-	4.7	4.9	5.0	-	5.1	5.2	5.4	-	5.4	5.5	5.7	-	5.7	5.8	6.0	-
	Hi PR	204	220	232	-	229	247	260	-	261	280	296	-	297	319	337	-	334	359	379	-	369	397	419	-
75	Lo PR	102	109	119	-	108	115	126	-	112	119	130	-	118	126	137	-	124	132	144	-	128	136	149	-
	MBh	17.9	18.5	20.0	21.5	17.5	18.0	19.5	21.0	17.1	17.6	19.1	20.5	16.7	17.2	18.6	20.0	16.2	16.7	18.1	19.4	15.9	16.3	17.7	19.0
	S/T	0.84	0.75	0.57	0.36	0.87	0.78	0.59	0.38	0.89	0.80	0.60	0.39	0.92	0.82	0.62	0.40	0.88	0.78	0.59	0.38	0.91	0.81	0.62	0.40
	ΔT	20	19	15	11	21	19	16	11	21	19	16	11	21	19	16	11	21	19	16	11	21	19	16	11
	kW	1.18	1.20	1.24	1.27	1.26	1.29	1.33	1.37	1.34	1.37	1.41	1.46	1.41	1.44	1.48	1.53	1.46	1.50	1.54	1.59	1.46	1.50	1.54	1.59
75	Amps	4.2	4.3	4.5	4.6	4.6	4.7	4.8	5.0	5.0	5.1	5.2	5.4	5.3	5.4	5.6	5.8	5.6	5.8	6.0	6.2	5.6	5.8	6.0	6.2
	Hi PR	215	231	244	255	241	259	274	286	274	295	311	325	312	336	355	370	351	378	399	416	388	418	441	460
	Lo PR	108	114	125	133	114	121	132	141	118	126	137	146	124	132	144	154	130	138	151	161	135	143	156	166
	MBh	17.4	17.9	19.4	20.8	17.0	17.5	19.0	20.3	16.6	17.1	18.5	19.9	16.2	16.7	18.1	19.4	15.4	15.8	17.2	18.4	14.3	14.7	15.9	17.1
	S/T	0.80	0.71	0.54	0.35	0.83	0.74	0.56	0.36	0.85	0.76	0.57	0.37	0.88	0.78	0.59	0.38	0.91	0.81	0.62	0.40	0.92	0.82	0.62	0.40
75	ΔT	21	20	16	11	22	20	16	11	22	20	16	11	22	20	16	11	21	20	16	11	20	18	15	10
	kW	1.17	1.19	1.23	1.26	1.25	1.28	1.32	1.36	1.33	1.36	1.40	1.44	1.40	1.43	1.47	1.52	1.45	1.48	1.53	1.58	1.50	1.53	1.58	1.64
	Amps	4.2	4.3	4.4	4.6	4.5	4.6	4.8	5.0	4.9	5.0	5.2	5.4	5.3	5.4	5.6	5.8	5.6	5.7	5.9	6.1	5.9	6.1	6.3	6.5
	Hi PR	213	229	242	252	239	257	271	283	271	292	308	322	309	333	351	366	348	374	395	412	384	413	437	455
	Lo PR	107	113	124	132	113	120	131	139	117	124	136	145	123	131	143	152	129	137	150	159	133	142	155	165
75	MBh	16.1	16.5	17.9	19.2	15.7	16.2	17.5	18.8	15.3	15.8	17.1	18.3	15.0	15.4	16.7	17.9	14.2	14.6	15.8	17.0	13.2	13.5	14.7	15.7
	S/T	0.77	0.69	0.52	0.34	0.80	0.71	0.54	0.35	0.82	0.73	0.55	0.36	0.84	0.76	0.57	0.37	0.88	0.78	0.59	0.38	0.88	0.79	0.60	0.39
	ΔT	22	20	16	11	22	20	17	11	22	20	17	11	22	20	17	12	22	20	16	11	20	19	15	11
	kW	1.14	1.16	1.20	1.24	1.22	1.25	1.29	1.33	1.30	1.32	1.37	1.41	1.36	1.39	1.44	1.48	1.42	1.45	1.49	1.54	1.47	1.50	1.54	1.60
	Amps	4.1	4.2	4.3	4.5	4.4	4.5	4.7	4.8	4.8	4.9	5.1	5.2	5.1	5.2	5.4	5.6	5.4	5.6	5.7	6.0	5.7	5.9	6.1	6.3
75	Hi PR	206	222	234	244	231	249	263	274	263	283	299	312	300	323	341	355	337	363	383	400	373	401	423	442
	Lo PR	103	110	120	128	109	116	127	135	113	121	132	140	119	127	138	147	125	133	145	155	129	137	150	160

IDB: Entering Indoor Dry Bulb Temperature
 High and low pressures are measured at the liquid and suction service valves.
 Shaded area reflects ACCA (TVA) conditions
 kW = Total system power
 Amps = outdoor unit amps (comp.+fan)

EXPANDED COOLING DATA — SSZ140181A* / CA*F3131*6A* +TXV / MBR800** -1 (CONT.)

IDB	AIRFLOW	OUTDOOR AMBIENT TEMPERATURE																								
		65°F				75°F				85°F				95°F				105°F				115°F				
		59	63	67	71	59	63	67	71	59	63	67	71	59	63	67	71	59	63	67	71	59	63	67	71	
80	675	MBh	18.3	18.7	19.9	21.3	17.8	18.2	19.5	20.8	17.4	17.8	19.0	20.3	17.0	17.4	18.5	19.8	16.1	16.5	17.6	18.8	14.9	15.3	16.3	17.4
		S/T	0.92	0.86	0.70	0.52	0.95	0.89	0.73	0.54	1.00	0.92	0.75	0.56	1.00	0.94	0.77	0.57	1.00	1.00	0.80	0.60	1.00	1.00	0.80	0.60
		ΔT	23	22	19	15	23	22	19	15	24	22	19	15	23	22	19	16	22	22	19	15	20	21	18	14
	KW	1.19	1.21	1.25	1.28	1.27	1.30	1.34	1.38	1.35	1.38	1.42	1.47	1.42	1.45	1.50	1.54	1.48	1.51	1.56	1.61	1.53	1.56	1.61	1.66	
	Amps	4.3	4.4	4.5	4.7	4.6	4.7	4.9	5.1	5.0	5.1	5.3	5.5	5.3	5.5	5.7	5.9	5.7	5.8	6.0	6.2	6.0	6.2	6.4	6.6	
	Hi PR	217	233	247	257	243	262	277	288	277	298	315	328	315	339	358	374	355	382	403	420	392	422	445	465	
	Lo PR	109	116	126	134	115	122	133	142	119	127	139	148	125	133	146	155	131	140	153	162	136	145	158	168	
	600	MBh	17.7	18.1	19.4	20.7	17.3	17.7	18.9	20.2	16.9	17.3	18.5	19.7	16.5	16.8	18.0	19.2	15.7	16.0	17.1	18.3	14.5	14.8	15.8	16.9
		S/T	0.88	0.82	0.67	0.50	0.91	0.85	0.69	0.52	0.93	0.87	0.71	0.53	0.96	0.90	0.73	0.55	1.00	0.94	0.76	0.57	1.00	0.94	0.77	0.57
		ΔT	24	23	20	16	24	23	20	16	24	23	20	16	24	23	20	16	24	23	20	16	22	21	19	15
	KW	1.18	1.20	1.24	1.27	1.26	1.29	1.33	1.37	1.34	1.37	1.41	1.46	1.41	1.44	1.48	1.53	1.46	1.50	1.54	1.59	1.51	1.55	1.60	1.65	
	Amps	4.2	4.3	4.5	4.6	4.6	4.7	4.8	5.0	5.0	5.1	5.3	5.4	5.3	5.4	5.6	5.8	5.6	5.8	6.0	6.2	6.0	6.1	6.3	6.5	
Hi PR	215	231	244	255	241	259	274	286	274	295	311	325	312	336	355	370	351	378	399	416	388	418	441	460		
Lo PR	108	114	125	133	114	121	132	141	118	126	137	146	124	132	144	154	130	138	151	161	135	143	156	166		
525	MBh	16.4	16.7	17.9	19.1	16.0	16.3	17.4	18.6	15.6	15.9	17.0	18.2	15.2	15.6	16.6	17.8	14.5	14.8	15.8	16.9	13.4	13.7	14.6	15.6	
	S/T	0.84	0.79	0.64	0.48	0.88	0.82	0.67	0.50	0.90	0.84	0.69	0.51	0.93	0.87	0.71	0.53	0.96	0.90	0.73	0.55	0.97	0.91	0.74	0.55	
	ΔT	24	23	20	16	24	23	20	16	25	23	20	16	25	24	21	16	24	23	20	16	23	22	19	15	
KW	1.15	1.17	1.21	1.24	1.23	1.26	1.30	1.34	1.31	1.34	1.38	1.42	1.37	1.40	1.45	1.49	1.43	1.46	1.51	1.56	1.48	1.51	1.56	1.61		
Amps	4.1	4.2	4.4	4.5	4.5	4.6	4.7	4.9	4.8	4.9	5.1	5.3	5.2	5.3	5.5	5.7	5.5	5.6	5.8	6.0	5.8	5.9	6.1	6.4		
Hi PR	208	224	237	247	234	252	266	277	266	286	302	315	303	326	344	359	341	367	387	404	376	405	428	446		
Lo PR	104	111	121	129	110	117	128	136	115	122	133	142	120	128	140	149	126	134	147	156	131	139	152	161		
85	675	MBh	18.6	18.9	19.8	21.2	18.1	18.5	19.4	20.7	17.7	18.1	18.9	20.2	17.3	17.6	18.4	19.7	16.4	16.7	17.5	18.7	15.2	15.5	16.2	17.3
		S/T	0.96	0.93	0.84	0.68	1.00	0.96	0.87	0.71	1.00	0.99	0.89	0.72	1.00	1.00	0.92	0.75	1.00	1.00	0.95	0.77	1.00	1.00	0.96	0.78
		ΔT	24	24	23	20	25	24	23	20	24	24	23	20	24	24	23	20	22	23	23	20	21	21	21	18
	KW	1.19	1.22	1.26	1.29	1.28	1.31	1.35	1.39	1.36	1.39	1.43	1.48	1.43	1.46	1.51	1.56	1.49	1.52	1.57	1.62	1.54	1.57	1.62	1.68	
	Amps	4.3	4.4	4.6	4.7	4.7	4.8	4.9	5.1	5.1	5.2	5.3	5.5	5.4	5.5	5.7	5.9	5.7	5.9	6.1	6.3	6.1	6.2	6.4	6.7	
	Hi PR	219	236	249	260	246	265	279	291	280	301	318	331	318	343	362	377	358	386	407	425	396	426	450	469	
	Lo PR	110	117	127	136	116	123	135	143	121	128	140	149	127	135	147	157	133	141	154	164	137	146	159	170	
	600	MBh	18.0	18.4	19.3	20.5	17.6	18.0	18.8	20.1	17.2	17.5	18.4	19.6	16.8	17.1	17.9	19.1	15.9	16.2	17.0	18.2	14.8	15.0	15.8	16.8
		S/T	0.92	0.89	0.80	0.65	0.95	0.92	0.83	0.67	0.98	0.94	0.85	0.69	1.00	0.97	0.88	0.71	1.00	1.00	0.91	0.74	1.00	1.00	0.92	0.74
		ΔT	25	25	24	20	26	25	24	21	26	25	24	21	26	25	24	21	24	25	24	21	23	23	22	19
	KW	1.19	1.21	1.25	1.28	1.27	1.30	1.34	1.38	1.35	1.38	1.42	1.47	1.42	1.45	1.50	1.54	1.48	1.51	1.56	1.61	1.53	1.56	1.61	1.66	
	Amps	4.3	4.4	4.5	4.7	4.6	4.7	4.9	5.1	5.0	5.1	5.3	5.5	5.3	5.5	5.7	5.9	5.7	5.8	6.0	6.2	6.0	6.2	6.4	6.6	
Hi PR	217	233	247	257	243	262	277	288	277	298	315	328	315	339	358	374	355	382	403	420	392	422	445	465		
Lo PR	109	116	126	134	115	122	133	142	119	127	139	148	125	133	146	155	131	140	153	162	136	145	158	168		
525	MBh	16.6	17.0	17.8	19.0	16.3	16.6	17.4	18.5	15.9	16.2	16.9	18.1	15.5	15.8	16.5	17.6	14.7	15.0	15.7	16.8	13.6	13.9	14.5	15.5	
	S/T	0.89	0.85	0.77	0.63	0.92	0.89	0.80	0.65	0.94	0.91	0.82	0.66	0.97	0.94	0.85	0.69	1.00	0.97	0.88	0.71	1.00	0.98	0.89	0.72	
	ΔT	26	25	24	21	26	26	24	21	26	26	24	21	26	26	24	21	26	26	24	21	24	24	23	20	
KW	1.16	1.18	1.22	1.25	1.24	1.27	1.31	1.35	1.32	1.35	1.39	1.43	1.38	1.41	1.46	1.51	1.44	1.47	1.52	1.57	1.49	1.52	1.57	1.62		
Amps	4.2	4.3	4.4	4.6	4.5	4.6	4.8	4.9	4.9	4.9	5.0	5.2	5.3	5.2	5.3	5.5	5.7	5.5	5.7	5.8	6.1	5.9	6.0	6.2	6.4	
Hi PR	210	226	239	249	236	254	268	280	269	289	305	318	306	329	348	362	344	370	391	408	380	409	432	451		
Lo PR	105	112	122	130	111	118	129	138	116	123	134	143	122	129	141	150	127	136	148	158	132	140	153	163		

IDB: Entering Indoor Dry Bulb Temperature
 High and low pressures are measured at the liquid and suction service valves.
 Shaded area reflects AHRI conditions
 kW = Total system power
 Amps = outdoor unit amps (comp.+fan)

EXPANDED COOLING DATA — SSZ140301A* / CA* F3642* 6A* +TXV / MBR1600** -1

IDB	AIRFLOW	OUTDOOR AMBIENT TEMPERATURE																								
		65°F				75°F				85°F				95°F				105°F				115°F				
		59	63	67	71	59	63	67	71	59	63	67	71	59	63	67	71	59	63	67	71	59	63	67	71	
70	1181	MBh	28.2	29.3	32.0	-	27.6	28.6	31.3	-	26.9	27.9	30.6	-	26.3	27.2	29.8	-	24.9	25.8	28.3	-	23.1	23.9	26.2	-
		S/T	0.79	0.66	0.46	-	0.82	0.68	0.47	-	0.84	0.70	0.48	-	0.86	0.72	0.50	-	0.90	0.75	0.52	-	0.90	0.75	0.52	-
		ΔT	17	15	11	-	17	15	11	-	18	15	11	-	18	15	12	-	17	15	11	-	16	14	11	-
		kW	1.99	2.03	2.09	-	2.13	2.18	2.24	-	2.26	2.30	2.37	-	2.37	2.42	2.49	-	2.46	2.51	2.59	-	2.54	2.59	2.67	-
		Amps	2.3	2.5	2.7	-	2.9	3.0	3.3	-	3.5	3.7	4.0	-	4.1	4.3	4.6	-	4.6	4.8	5.1	-	5.1	5.4	5.7	-
		Hi-PR	221	237	251	-	247	266	281	-	281	303	320	-	321	343	364	-	361	388	410	-	398	429	453	-
	Lo-PR	112	119	130	-	118	126	137	-	123	131	143	-	129	137	150	-	135	144	157	-	140	149	162	-	
	1050	MBh	27.4	28.4	31.1	-	26.8	27.7	30.4	-	26.1	27.1	29.7	-	25.5	26.4	28.9	-	24.2	25.1	27.5	-	22.4	23.2	25.5	-
		S/T	0.75	0.63	0.43	-	0.78	0.65	0.45	-	0.80	0.67	0.46	-	0.82	0.69	0.48	-	0.85	0.71	0.49	-	0.86	0.72	0.50	-
		ΔT	18	16	12	-	18	16	12	-	18	16	12	-	18	16	12	-	18	16	12	-	17	15	11	-
		kW	1.98	2.02	2.08	-	2.12	2.16	2.22	-	2.24	2.29	2.36	-	2.35	2.40	2.47	-	2.44	2.49	2.57	-	2.52	2.57	2.65	-
		Amps	2.3	2.4	2.6	-	2.8	3.0	3.2	-	3.4	3.6	3.9	-	4.0	4.2	4.5	-	4.5	4.7	5.1	-	5.1	5.3	5.6	-
Hi-PR		218	235	248	-	245	264	278	-	279	300	317	-	317	342	361	-	357	384	406	-	394	425	448	-	
Lo-PR	111	118	129	-	117	124	136	-	122	129	141	-	128	136	148	-	134	142	155	-	138	147	161	-		
919	MBh	25.3	26.2	28.7	-	24.7	25.6	28.1	-	24.1	25.0	27.4	-	23.5	24.4	26.7	-	22.3	23.2	25.4	-	20.7	21.5	23.5	-	
	S/T	0.72	0.60	0.42	-	0.75	0.63	0.43	-	0.77	0.64	0.44	-	0.79	0.66	0.46	-	0.82	0.69	0.48	-	0.83	0.69	0.48	-	
	ΔT	18	16	12	-	19	16	12	-	19	16	12	-	19	16	12	-	18	16	12	-	17	15	11	-	
	kW	1.94	1.97	2.03	-	2.07	2.11	2.17	-	2.19	2.23	2.30	-	2.30	2.34	2.41	-	2.38	2.43	2.51	-	2.46	2.51	2.59	-	
	Amps	2.1	2.2	2.4	-	2.6	2.8	3.0	-	3.2	3.4	3.7	-	3.7	3.9	4.2	-	4.3	4.5	4.8	-	4.8	5.0	5.3	-	
	Hi-PR	212	228	241	-	238	256	270	-	270	291	307	-	308	331	350	-	346	373	394	-	383	412	435	-	
Lo-PR	107	114	125	-	114	121	132	-	118	126	137	-	124	132	144	-	130	138	151	-	134	143	156	-		

1181	MBh	28.7	29.5	32.0	34.3	28.0	28.9	31.2	33.5	27.4	28.2	30.5	32.7	26.7	27.5	29.8	31.9	25.4	26.1	28.3	30.3	23.5	24.2	26.2	28.1
	S/T	0.89	0.80	0.61	0.39	0.93	0.83	0.63	0.40	0.95	0.85	0.64	0.41	0.98	0.88	0.66	0.43	1.00	0.91	0.69	0.44	1.00	0.92	0.69	0.45
	ΔT	20	18	15	10	20	19	15	11	20	19	15	11	20	19	15	11	20	19	15	10	20	18	14	10
	kW	2.01	2.05	2.11	2.17	2.15	2.19	2.26	2.33	2.28	2.32	2.39	2.47	2.39	2.44	2.51	2.59	2.48	2.53	2.61	2.69	2.56	2.61	2.70	2.78
	Amps	2.4	2.5	2.8	3.0	2.9	3.1	3.4	3.7	3.6	3.8	4.0	4.4	4.1	4.3	4.6	5.0	4.7	4.9	5.2	5.6	5.2	5.5	5.8	6.2
	Hi-PR	223	240	253	264	250	269	284	296	284	306	323	337	324	348	368	384	364	392	414	432	402	433	457	477
Lo-PR	113	120	131	140	119	127	139	148	124	132	144	153	130	139	151	161	137	145	159	169	141	150	164	175	
1050	MBh	27.9	28.7	31.1	33.3	27.2	28.0	30.3	32.6	26.6	27.4	29.6	31.8	25.9	26.7	28.9	31.0	24.6	25.4	27.4	29.5	22.8	23.5	25.4	27.3
	S/T	0.85	0.76	0.58	0.37	0.88	0.79	0.60	0.38	0.91	0.81	0.61	0.39	0.94	0.84	0.63	0.41	0.97	0.87	0.66	0.42	0.98	0.88	0.66	0.43
	ΔT	21	19	16	11	21	19	16	11	21	19	16	11	21	20	16	11	21	19	16	11	20	18	15	10
	kW	1.99	2.03	2.09	2.15	2.14	2.18	2.24	2.31	2.26	2.30	2.37	2.45	2.37	2.42	2.49	2.57	2.46	2.51	2.59	2.67	2.54	2.59	2.67	2.76
	Amps	2.3	2.5	2.7	3.0	2.9	3.0	3.3	3.6	3.5	3.7	4.0	4.3	4.1	4.3	4.6	4.9	4.6	4.8	5.1	5.5	5.1	5.4	5.7	6.1
	Hi-PR	221	237	251	261	248	266	281	293	281	303	320	334	321	345	364	380	361	388	410	427	399	429	453	472
Lo-PR	112	119	130	138	118	126	137	146	123	131	143	152	129	137	150	160	135	144	157	167	140	149	162	173	
919	MBh	25.7	26.5	28.7	30.8	25.1	25.9	28.0	30.0	24.5	25.2	27.3	29.3	23.9	24.6	26.7	28.6	22.7	23.4	25.3	27.2	21.1	21.7	23.5	25.2
	S/T	0.82	0.74	0.56	0.36	0.85	0.76	0.58	0.37	0.87	0.78	0.59	0.38	0.90	0.81	0.61	0.39	0.94	0.84	0.63	0.41	0.94	0.84	0.64	0.41
	ΔT	21	19	16	11	21	20	16	11	21	20	16	11	22	20	16	11	21	20	16	11	20	18	15	10
	kW	1.95	1.99	2.05	2.11	2.09	2.13	2.19	2.26	2.21	2.25	2.32	2.39	2.31	2.36	2.43	2.51	2.40	2.45	2.53	2.61	2.48	2.53	2.61	2.69
	Amps	2.1	2.3	2.5	2.8	2.7	2.8	3.1	3.4	3.3	3.5	3.7	4.0	3.8	4.0	4.3	4.6	4.4	4.6	4.9	5.2	4.9	5.1	5.4	5.8
	Hi-PR	214	230	243	254	240	258	273	285	273	294	310	324	311	335	353	369	350	376	398	415	387	416	439	458
Lo-PR	109	115	126	134	115	122	133	142	119	127	138	147	125	133	145	155	131	140	152	162	136	144	158	168	

IDB: Entering Indoor Dry Bulb Temperature
 High and low pressures are measured at the liquid and suction service valves.
 Shaded area reflects ACCA (TVA) conditions
 kW = Total system power
 Amps = outdoor unit amps (comp.-f/an)

EXPANDED COOLING DATA — SSZ140301A* / CA* F3642* 6A* +TXV / MBR1600** -1 (CONT.)

		OUTDOOR AMBIENT TEMPERATURE																								
		65°F				75°F				85°F				95°F				105°F				115°F				
		ENTERING INDOOR WET BULB TEMPERATURE																								
IDB	AIRFLOW	59	63	67	71	59	63	67	71	59	63	67	71	59	63	67	71	59	63	67	71	59	63	67	71	
80	1181	29.2	29.8	31.9	34.1	28.5	29.2	31.1	33.3	27.9	28.5	30.4	32.5	27.2	27.8	29.7	31.7	25.8	26.4	28.2	30.1	23.9	24.4	26.1	27.9	
		S/T	1.00	0.92	0.75	0.56	1.00	0.95	0.78	0.58	1.00	1.00	0.80	0.59	1.00	1.00	0.82	0.61	1.00	1.00	0.85	0.64	1.00	1.00	0.86	0.64
		ΔT	23	21	19	15	22	22	19	15	21	22	19	15	21	22	19	15	20	21	19	15	19	19	17	14
		kW	2.02	2.06	2.12	2.19	2.17	2.21	2.28	2.35	2.29	2.34	2.41	2.49	2.40	2.45	2.53	2.61	2.50	2.55	2.63	2.71	2.58	2.64	2.72	2.80
		Amps	2.4	2.6	2.8	3.1	3.0	3.2	3.4	3.7	3.7	3.9	4.1	4.5	4.2	4.4	4.7	5.1	4.8	5.0	5.3	5.7	5.3	5.6	5.9	6.3
		Hi PR	225	242	256	267	253	272	287	299	287	309	326	340	327	352	372	388	368	396	418	436	407	438	462	482
		Lo PR	114	121	133	141	121	128	140	149	125	133	146	155	132	140	153	163	138	147	160	171	143	152	166	177
		1050	28.4	29.0	31.0	33.1	27.7	28.3	30.2	32.3	27.0	27.6	29.5	31.6	26.4	27.0	28.8	30.8	25.1	25.6	27.4	29.2	23.2	23.7	25.3	27.1
		S/T	0.94	0.88	0.71	0.53	0.97	0.91	0.74	0.55	0.99	0.93	0.76	0.57	1.00	0.96	0.78	0.59	1.00	1.00	0.81	0.61	1.00	1.00	0.82	0.61
		ΔT	23	22	19	15	24	23	20	16	24	23	20	16	23	23	20	16	22	22	19	16	20	21	18	15
		kW	2.01	2.05	2.11	2.17	2.15	2.19	2.26	2.33	2.28	2.32	2.39	2.47	2.39	2.44	2.51	2.59	2.48	2.53	2.61	2.69	2.56	2.61	2.70	2.78
		Amps	2.4	2.5	2.8	3.0	2.9	3.1	3.4	3.7	3.6	3.8	4.0	4.4	4.1	4.3	4.6	5.0	4.7	4.9	5.2	5.6	5.2	5.5	5.8	6.2
	Hi PR	223	240	253	264	250	269	284	296	284	306	323	337	324	348	368	384	364	392	414	432	403	433	457	477	
	Lo PR	113	120	131	140	119	127	139	148	124	132	144	154	130	139	151	161	137	145	159	169	141	150	164	175	
	919	26.2	26.7	28.6	30.5	25.6	26.1	27.9	29.8	25.0	25.5	27.2	29.1	24.3	24.9	26.6	28.4	23.1	23.6	25.3	27.0	21.4	21.9	23.4	25.0	
	S/T	0.90	0.85	0.69	0.51	0.93	0.88	0.71	0.53	0.96	0.90	0.73	0.55	0.99	0.93	0.75	0.56	1.03	0.96	0.78	0.59	1.04	0.97	0.79	0.59	
	ΔT	24	23	20	16	24	23	20	16	24	23	20	16	24	23	20	16	24	23	20	16	22	21	18	15	
	kW	1.97	2.00	2.06	2.12	2.10	2.14	2.21	2.27	2.22	2.27	2.34	2.41	2.33	2.38	2.45	2.53	2.42	2.47	2.55	2.63	2.50	2.55	2.63	2.72	
	Amps	2.2	2.4	2.6	2.8	2.7	2.9	3.2	3.4	3.4	3.5	3.8	4.1	3.9	4.1	4.4	4.7	4.4	4.7	5.0	5.3	5.0	5.2	5.5	5.9	
	Hi PR	216	233	246	256	243	261	276	287	276	297	313	327	314	338	357	372	353	380	402	419	390	420	444	463	
	Lo PR	110	117	127	136	116	123	135	143	120	128	140	149	126	135	147	156	133	141	154	164	137	146	159	170	

85	1181	29.7	30.3	31.7	33.9	29.0	29.6	31.0	33.1	28.3	28.9	30.3	32.3	27.6	28.2	29.5	31.5	26.3	26.8	28.0	29.9	24.3	24.8	26.0	27.7	
		S/T	1.00	0.99	0.90	0.73	1.00	1.00	0.93	0.75	1.00	1.00	0.95	0.77	1.00	1.00	0.98	0.80	1.00	1.00	0.97	0.83	1.00	1.00	1.00	0.83
		ΔT	23	23	22	19	23	23	22	19	22	22	22	19	22	22	23	20	20	21	22	19	19	19	19	18
		kW	2.04	2.08	2.14	2.20	2.18	2.23	2.29	2.36	2.31	2.36	2.43	2.50	2.42	2.47	2.55	2.63	2.52	2.57	2.65	2.74	2.60	2.66	2.74	2.83
		Amps	2.5	2.7	2.9	3.2	3.1	3.3	3.5	3.8	3.7	3.9	4.2	4.5	4.3	4.5	4.8	5.2	4.9	5.1	5.4	5.8	5.4	5.7	6.0	6.4
		Hi PR	227	245	258	269	255	274	290	302	290	312	330	344	330	356	375	392	372	400	422	440	411	442	467	487
		Lo PR	115	123	134	143	122	130	141	151	127	135	147	157	133	141	154	164	139	148	162	172	144	153	167	178
		1050	28.9	29.4	30.8	32.9	28.2	28.7	30.1	32.1	27.5	28.0	29.4	31.3	26.8	27.4	28.7	30.6	25.5	26.0	27.2	29.0	23.6	24.1	25.2	26.9
		S/T	0.98	0.95	0.85	0.69	1.00	0.98	0.88	0.72	1.00	1.00	0.91	0.74	1.00	1.00	0.94	0.76	1.00	1.00	0.97	0.79	1.00	1.00	0.98	0.80
		ΔT	25	24	23	20	25	25	23	20	24	25	23	20	24	24	23	20	22	23	23	20	21	21	22	19
		kW	2.02	2.06	2.12	2.19	2.17	2.21	2.28	2.35	2.29	2.34	2.41	2.49	2.40	2.45	2.53	2.61	2.50	2.55	2.63	2.71	2.58	2.64	2.72	2.80
		Amps	2.4	2.6	2.8	3.1	3.0	3.2	3.4	3.7	3.7	3.9	4.1	4.5	4.2	4.4	4.7	5.1	4.8	5.0	5.3	5.7	5.3	5.6	5.9	6.3
	Hi PR	225	242	256	267	253	272	287	299	287	309	326	340	327	352	372	388	368	396	418	436	407	438	462	482	
	Lo PR	114	121	133	141	121	128	140	149	125	133	146	155	132	140	153	163	138	147	160	171	143	152	166	177	
	919	26.6	27.1	28.4	30.3	26.0	26.5	27.8	29.6	25.4	25.9	27.1	28.9	24.8	25.3	26.4	28.2	23.5	24.0	25.1	26.8	21.8	22.2	23.3	24.8	
	S/T	0.95	0.91	0.82	0.67	0.98	0.95	0.85	0.69	1.00	0.97	0.87	0.71	1.00	1.00	0.90	0.73	1.00	1.00	0.94	0.76	1.00	1.00	0.94	0.77	
	ΔT	25	25	23	20	25	25	24	21	25	25	24	21	25	25	24	21	24	24	24	20	22	22	22	19	
	kW	1.98	2.02	2.08	2.14	2.12	2.16	2.22	2.29	2.24	2.29	2.35	2.43	2.35	2.40	2.47	2.55	2.44	2.49	2.57	2.65	2.52	2.57	2.65	2.74	
	Amps	2.3	2.4	2.6	2.9	2.8	3.0	3.2	3.5	3.4	3.6	3.9	4.2	4.0	4.2	4.5	4.8	4.5	4.7	5.0	5.4	5.1	5.3	5.6	6.0	
	Hi PR	218	235	248	259	245	264	278	290	279	300	317	330	317	341	361	376	357	384	406	423	394	424	448	467	
	Lo PR	111	118	129	137	117	124	136	145	122	129	141	150	128	136	148	158	134	142	155	166	138	147	161	171	

kW = Total system power
Amps = outdoor unit amps (comp.+fan)

Shaded area reflects AHRI conditions

IDB: Entering Indoor Dry Bulb Temperature
High and low pressures are measured at the liquid and suction service valves.

EXPANDED COOLING DATA — SSZ140361B* / AR*F374316B*

IDB	AIRFLOW	OUTDOOR AMBIENT TEMPERATURE												ENTERING INDOOR WET BULB TEMPERATURE											
		65°F				75°F				85°F				95°F				105°F				115°F			
		59	63	67	71	59	63	67	71	59	63	67	71	59	63	67	71	59	63	67	71	59	63	67	71
70	MBh	30.7	31.9	34.9	-	30.0	31.1	34.1	-	29.3	30.4	33.3	-	28.6	29.6	32.5	-	27.2	28.2	30.8	-	25.2	26.1	28.6	-
	S/T	0.72	0.60	0.42	-	0.75	0.63	0.43	-	0.77	0.64	0.45	-	0.79	0.66	0.46	-	0.82	0.69	0.48	-	0.83	0.69	0.48	-
	ΔT	19	16	12	-	19	16	12	-	19	16	12	-	19	17	13	-	19	16	12	-	18	15	12	-
	kW	2.27	2.31	2.38	-	2.42	2.47	2.54	-	2.56	2.61	2.68	-	2.67	2.73	2.81	-	2.77	2.83	2.91	-	2.86	2.92	3.01	-
	Amps	8.3	8.4	8.7	-	8.9	9.1	9.3	-	9.6	9.8	10.1	-	10.2	10.4	10.7	-	10.8	11.0	11.4	-	11.4	11.6	12.0	-
	Hi PR	223	240	254	-	251	270	285	-	285	307	324	-	325	349	369	-	365	393	415	-	403	434	458	-
Lo PR	108	115	126	-	114	122	133	-	119	126	138	-	125	133	145	-	131	139	152	-	135	144	157	-	
70	MBh	33.3	34.5	37.8	-	32.5	33.7	36.9	-	31.7	32.9	36.1	-	31.0	32.1	35.2	-	29.4	30.5	33.4	-	27.3	28.3	31.0	-
	S/T	0.75	0.63	0.43	-	0.78	0.65	0.45	-	0.80	0.67	0.46	-	0.82	0.69	0.48	-	0.86	0.71	0.49	-	0.86	0.72	0.50	-
	ΔT	18	16	12	-	19	16	12	-	19	16	12	-	19	16	12	-	19	16	12	-	17	15	11	-
	kW	2.32	2.36	2.43	-	2.48	2.52	2.59	-	2.61	2.66	2.74	-	2.74	2.79	2.87	-	2.84	2.90	2.98	-	2.93	2.99	3.08	-
	Amps	8.5	8.7	8.9	-	9.1	9.3	9.6	-	9.8	10.0	10.3	-	10.4	10.7	11.0	-	11.1	11.3	11.7	-	11.7	11.9	12.3	-
	Hi PR	230	248	262	-	258	278	294	-	294	316	334	-	335	360	380	-	376	405	428	-	416	448	473	-
Lo PR	111	119	129	-	118	125	137	-	122	130	142	-	129	137	149	-	135	143	156	-	139	148	162	-	
70	MBh	34.3	35.5	38.9	-	33.5	34.7	38.0	-	32.7	33.9	37.1	-	31.9	33.1	36.2	-	30.3	31.4	34.4	-	28.1	29.1	31.9	-
	S/T	0.79	0.66	0.46	-	0.82	0.68	0.47	-	0.84	0.70	0.48	-	0.86	0.72	0.50	-	0.90	0.75	0.52	-	0.90	0.76	0.52	-
	ΔT	18	15	12	-	18	16	12	-	18	16	12	-	18	16	12	-	18	15	12	-	17	14	11	-
	kW	2.34	2.38	2.45	-	2.49	2.54	2.61	-	2.63	2.68	2.76	-	2.76	2.81	2.89	-	2.86	2.92	3.00	-	2.95	3.01	3.10	-
	Amps	8.5	8.7	9.0	-	9.2	9.4	9.7	-	9.9	10.1	10.4	-	10.5	10.8	11.1	-	11.2	11.4	11.8	-	11.8	12.1	12.4	-
	Hi PR	233	250	264	-	261	281	296	-	297	319	337	-	338	364	384	-	380	409	432	-	420	452	477	-
Lo PR	113	120	131	-	119	127	138	-	124	132	144	-	130	138	151	-	136	145	158	-	141	150	163	-	
75	MBh	31.3	32.2	34.8	37.4	30.5	31.4	34.0	36.5	29.8	30.7	33.2	35.6	29.1	29.9	32.4	34.8	27.6	28.4	30.8	33.0	25.6	26.3	28.5	30.6
	S/T	0.82	0.74	0.56	0.36	0.85	0.76	0.58	0.37	0.87	0.78	0.59	0.38	0.90	0.81	0.61	0.40	0.94	0.84	0.63	0.41	0.95	0.85	0.64	0.41
	ΔT	22	20	16	11	22	20	17	11	22	20	17	11	22	20	17	12	22	20	16	11	20	19	15	11
	kW	2.29	2.33	2.39	2.46	2.44	2.49	2.56	2.63	2.58	2.63	2.70	2.78	2.69	2.75	2.83	2.91	2.80	2.85	2.94	3.03	2.88	2.94	3.03	3.12
	Amps	8.3	8.5	8.8	9.1	8.9	9.1	9.4	9.7	9.6	9.9	10.2	10.5	10.3	10.5	10.8	11.2	10.9	11.1	11.5	11.9	11.5	11.7	12.1	12.5
	Hi PR	226	243	256	267	253	272	288	300	288	310	327	341	328	353	373	389	369	397	419	437	408	439	463	483
Lo PR	109	116	127	135	115	123	134	143	120	128	139	148	126	134	146	156	132	140	153	163	137	145	159	169	
75	MBh	33.9	34.9	37.7	40.5	33.1	34.1	36.9	39.6	32.3	33.2	36.0	38.6	31.5	32.4	35.1	37.7	29.9	30.8	33.3	35.8	27.7	28.5	30.9	33.2
	S/T	0.85	0.76	0.58	0.37	0.88	0.79	0.60	0.39	0.91	0.81	0.61	0.40	0.94	0.84	0.63	0.41	0.97	0.87	0.66	0.42	0.98	0.88	0.66	0.43
	ΔT	21	20	16	11	22	20	16	11	22	20	16	11	22	20	16	11	21	20	16	11	20	18	15	10
	kW	2.34	2.38	2.45	2.52	2.49	2.54	2.61	2.69	2.63	2.68	2.76	2.84	2.76	2.81	2.89	2.98	2.86	2.92	3.01	3.10	2.95	3.01	3.10	3.20
	Amps	8.5	8.7	9.0	9.3	9.2	9.4	9.7	10.0	9.9	10.1	10.4	10.8	10.5	10.8	11.1	11.5	11.2	11.4	11.8	12.2	11.8	12.1	12.4	12.9
	Hi PR	233	250	264	276	261	281	297	309	297	319	337	352	338	364	384	401	380	409	432	451	420	452	477	498
Lo PR	113	120	131	139	119	127	138	147	124	132	144	153	130	138	151	161	136	145	158	168	141	150	164	174	
75	MBh	34.9	35.9	38.9	41.7	34.1	35.1	38.0	40.7	33.3	34.2	37.1	39.8	32.4	33.4	36.2	38.8	30.8	31.7	34.4	36.9	28.6	29.4	31.8	34.2
	S/T	0.90	0.80	0.61	0.39	0.93	0.83	0.63	0.40	0.95	0.85	0.64	0.41	0.98	0.88	0.66	0.43	1.00	0.91	0.69	0.44	1.00	0.92	0.70	0.45
	ΔT	21	19	15	11	21	19	16	11	21	19	16	11	21	19	16	11	20	19	16	11	19	18	15	10
	kW	2.35	2.40	2.46	2.53	2.51	2.56	2.63	2.71	2.65	2.70	2.78	2.87	2.78	2.83	2.92	3.00	2.88	2.94	3.03	3.12	2.97	3.03	3.13	3.22
	Amps	8.6	8.8	9.1	9.4	9.2	9.4	9.7	10.1	10.0	10.2	10.5	10.9	10.6	10.9	11.2	11.6	11.3	11.5	11.9	12.3	11.9	12.2	12.5	13.0
	Hi PR	235	253	267	278	264	284	300	312	300	323	341	355	341	367	388	405	384	413	436	455	424	457	482	503
Lo PR	114	121	132	141	120	128	140	149	125	133	145	154	131	140	152	162	137	146	160	170	142	151	165	176	

IDB: Entering Indoor Dry Bulb Temperature
 High and low pressures are measured at the liquid and suction service valves.
 Shaded area reflects ACCA (TVA) conditions
 kW = Total system power
 Amps = outdoor unit amps (comp. fan)

EXPANDED COOLING DATA — SSZ140361B* / AR*F374316B* (CONT.)

IDB	AIRFLOW	OUTDOOR AMBIENT TEMPERATURE												ENTERING INDOOR WET BULB TEMPERATURE											
		65°F				75°F				85°F				95°F				105°F				115°F			
		59	63	67	71	59	63	67	71	59	63	67	71	59	63	67	71	59	63	67	71	59	63	67	71
1090	MBh	31.8	32.5	34.7	37.1	31.1	31.7	33.9	36.3	30.3	31.0	33.1	35.4	29.6	30.2	32.3	34.5	28.1	28.7	30.7	32.8	26.0	26.6	28.4	30.4
	S/T	0.90	0.85	0.69	0.52	0.94	0.88	0.71	0.53	0.96	0.90	0.73	0.55	0.99	0.93	0.76	0.57	1.03	0.96	0.78	0.59	1.04	0.97	0.79	0.59
	ΔT	24	23	20	16	25	23	20	16	25	24	20	16	25	24	21	16	24	23	20	16	23	22	19	15
	kW	2.30	2.35	2.41	2.48	2.46	2.50	2.58	2.65	2.59	2.64	2.72	2.80	2.71	2.77	2.85	2.94	2.82	2.87	2.96	3.05	2.91	2.96	3.05	3.15
	Amps	8.4	8.6	8.8	9.1	9.0	9.2	9.5	9.8	9.7	9.9	10.3	10.6	10.3	10.6	10.9	11.3	11.0	11.2	11.6	12.0	11.6	11.8	12.2	12.7
	Hi PR	228	245	259	270	256	275	291	303	291	313	330	345	331	356	376	393	373	401	423	442	412	443	468	488
Lo PR	110	117	128	136	117	124	135	144	121	129	141	150	127	135	148	157	133	142	155	165	138	147	160	171	
80	MBh	34.5	35.2	37.6	40.2	33.7	34.4	36.8	39.3	32.9	33.6	35.9	38.4	32.1	32.8	35.0	37.4	30.5	31.1	33.3	35.5	28.2	28.8	30.8	32.9
	S/T	0.94	0.88	0.71	0.53	0.97	0.91	0.74	0.55	1.00	0.93	0.76	0.57	1.00	0.96	0.78	0.59	1.00	1.00	0.81	0.61	1.00	1.00	0.82	0.61
	ΔT	24	23	20	16	24	23	20	16	24	23	20	16	24	23	20	16	22	23	20	16	21	21	19	15
	kW	2.35	2.40	2.46	2.53	2.51	2.56	2.63	2.71	2.65	2.70	2.78	2.87	2.78	2.83	2.92	3.00	2.88	2.94	3.03	3.12	2.97	3.03	3.13	3.22
	Amps	8.6	8.8	9.1	9.4	9.2	9.4	9.7	10.1	10.0	10.2	10.5	10.9	10.6	10.9	11.2	11.6	11.3	11.5	11.9	12.3	11.9	12.2	12.5	13.0
	Hi PR	235	253	267	278	264	284	300	312	300	323	341	355	341	367	388	405	384	413	437	455	424	457	482	503
Lo PR	114	121	132	141	120	128	140	149	125	133	145	154	131	140	152	162	137	146	160	170	142	151	165	176	
1400	MBh	35.5	36.3	38.8	41.4	34.7	35.4	37.9	40.5	33.8	34.6	37.0	39.5	33.0	33.7	36.1	38.5	31.4	32.1	34.2	36.6	29.1	29.7	31.7	33.9
	S/T	1.00	0.92	0.75	0.56	1.00	0.95	0.78	0.58	1.00	1.00	0.80	0.60	1.00	1.00	0.82	0.61	1.00	1.00	0.85	0.64	1.00	1.00	0.86	0.64
	ΔT	23	22	19	15	23	22	19	15	22	23	19	15	22	22	19	16	21	21	19	15	19	19	18	14
	kW	2.37	2.41	2.48	2.55	2.53	2.58	2.65	2.73	2.67	2.72	2.80	2.89	2.80	2.85	2.94	3.03	2.90	2.96	3.05	3.15	3.00	3.06	3.15	3.25
	Amps	8.7	8.9	9.1	9.4	9.3	9.5	9.8	10.2	10.1	10.3	10.6	11.0	10.7	11.0	11.3	11.7	11.4	11.6	12.0	12.4	12.0	12.3	12.7	13.1
	Hi PR	237	255	270	281	266	286	303	316	303	326	344	359	345	371	392	409	388	417	441	460	429	461	487	508
Lo PR	115	122	133	142	121	129	141	150	126	134	146	156	132	141	154	164	139	148	161	172	144	153	167	178	
85	MBh	32.4	33.0	34.6	36.9	31.6	32.2	33.8	36.0	30.9	31.5	32.9	35.1	30.1	30.7	32.1	34.3	28.6	29.2	30.5	32.6	26.5	27.0	28.3	30.2
	S/T	0.95	0.91	0.82	0.67	0.98	0.95	0.85	0.69	1.00	0.97	0.88	0.71	1.00	1.00	0.90	0.73	1.00	1.00	0.94	0.76	1.00	1.00	0.95	0.77
	ΔT	26	25	24	21	26	26	24	21	26	26	24	21	25	26	25	21	24	25	24	21	22	23	23	20
	kW	2.32	2.36	2.43	2.50	2.48	2.52	2.59	2.67	2.61	2.66	2.74	2.82	2.73	2.79	2.87	2.96	2.84	2.90	2.98	3.07	2.93	2.99	3.08	3.17
	Amps	8.5	8.6	8.9	9.2	9.1	9.3	9.6	9.9	9.8	10.0	10.3	10.7	10.4	10.7	11.0	11.4	11.1	11.3	11.7	12.1	11.7	11.9	12.3	12.8
	Hi PR	230	248	262	273	258	278	293	306	294	316	334	348	335	360	380	396	376	405	428	446	416	447	472	493
Lo PR	111	119	129	138	118	125	137	146	122	130	142	151	129	137	149	159	135	143	156	167	139	148	162	172	
1250	MBh	35.1	35.7	37.4	39.9	34.3	34.9	36.6	39.0	33.4	34.1	35.7	38.1	32.6	33.3	34.8	37.2	31.0	31.6	33.1	35.3	28.7	29.3	30.6	32.7
	S/T	0.98	0.95	0.85	0.69	1.00	0.98	0.89	0.72	1.00	1.00	0.91	0.74	1.00	1.00	0.94	0.76	1.00	1.00	0.97	0.79	1.00	1.00	0.98	0.80
	ΔT	25	25	24	20	25	25	24	21	25	25	24	21	24	24	24	21	23	23	24	20	21	22	22	19
	kW	2.37	2.41	2.48	2.55	2.53	2.58	2.65	2.73	2.67	2.72	2.80	2.89	2.80	2.85	2.94	3.03	2.90	2.96	3.05	3.15	3.00	3.06	3.15	3.25
	Amps	8.7	8.9	9.1	9.4	9.3	9.5	9.8	10.2	10.1	10.3	10.6	11.0	10.7	11.0	11.3	11.7	11.4	11.6	12.0	12.4	12.0	12.3	12.7	13.1
	Hi PR	237	255	270	281	266	286	303	316	303	326	344	359	345	371	392	409	388	417	441	460	429	461	487	508
Lo PR	115	122	133	142	121	129	141	150	126	134	146	156	132	141	154	164	139	148	161	172	144	153	167	178	
1400	MBh	36.1	36.8	38.6	41.1	35.3	36.0	37.7	40.2	34.4	35.1	36.8	39.2	33.6	34.2	35.9	38.3	31.9	32.5	34.1	36.4	29.6	30.1	31.6	33.7
	S/T	1.00	0.99	0.90	0.73	1.00	1.00	0.93	0.75	1.00	1.00	0.95	0.77	1.00	1.00	0.98	0.80	1.00	1.00	1.00	0.83	1.00	1.00	1.00	0.83
	ΔT	24	24	23	20	23	24	23	20	23	23	23	20	22	22	23	20	21	21	22	20	19	20	21	18
	kW	2.39	2.43	2.50	2.57	2.55	2.60	2.67	2.75	2.69	2.74	2.83	2.91	2.82	2.87	2.96	3.05	2.93	2.99	3.08	3.17	3.02	3.08	3.17	3.27
	Amps	8.7	8.9	9.2	9.5	9.4	9.6	9.9	10.2	10.2	10.4	10.7	11.1	10.8	11.0	11.4	11.8	11.5	11.7	12.1	12.5	12.1	12.4	12.8	13.2
	Hi PR	240	258	272	284	269	289	306	319	306	329	348	362	348	375	396	413	392	422	445	464	433	466	492	513
Lo PR	116	123	135	144	123	130	142	152	127	136	148	158	134	142	155	166	140	149	163	173	145	154	168	179	

IDB: Entering Indoor Dry Bulb Temperature
 High and low pressures are measured at the liquid and suction service valves.
 Shaded area reflects AHRI conditions
 kW = Total system power
 Amps = outdoor unit amps (comp. + fan)

EXPANDED COOLING DATA — SSZ140421A* / CA*F4860*6A* +TXV / MBR2000** -1

IDB	AIRFLOW	OUTDOOR AMBIENT TEMPERATURE												ENTERING INDOOR WET BULB TEMPERATURE													
		65°F				75°F				85°F				95°F				105°F				115°F					
		59	63	67	71	59	63	67	71	59	63	67	71	59	63	67	71	59	63	67	71	59	63	67	71		
70	1575	MBh	39.2	40.6	44.5	-	38.3	39.7	43.5	-	37.4	38.7	42.4	-	36.5	37.8	41.4	-	34.6	35.9	39.3	-	32.1	33.3	36.4	-	
		S/T	0.77	0.65	0.45	-	0.80	0.67	0.46	-	0.82	0.69	0.48	-	0.85	0.71	0.49	-	0.88	0.74	0.51	-	0.89	0.74	0.51	-	
		ΔT	18	15	12	-	18	16	12	-	18	16	12	-	18	16	12	-	18	15	12	-	17	14	11	-	
	1400	kW	2.65	2.71	2.78	-	2.84	2.90	2.98	-	3.01	3.07	3.16	-	3.15	3.22	3.31	-	3.28	3.34	3.45	-	3.38	3.43	3.56	-	
		Amps	9.7	9.9	10.2	-	10.4	10.7	11.0	-	11.3	11.6	12.0	-	12.1	12.4	12.8	-	12.8	13.1	13.6	-	13.6	13.9	14.4	-	
		Hi PR	218	234	247	-	244	263	277	-	278	299	315	-	316	340	359	-	356	383	404	-	393	423	447	-	
	1225	Lo PR	107	114	125	-	113	121	132	-	118	125	137	-	124	132	144	-	130	138	151	-	134	143	156	-	
		MBh	38.1	39.4	43.2	-	37.2	38.5	42.2	-	36.3	37.6	41.2	-	35.4	36.7	40.2	-	33.6	34.9	38.2	-	31.2	32.3	35.4	-	
		S/T	0.74	0.62	0.43	-	0.77	0.64	0.44	-	0.79	0.66	0.45	-	0.81	0.68	0.47	-	0.84	0.70	0.49	-	0.85	0.71	0.49	-	
	75	1575	ΔT	18	16	12	-	19	16	12	-	19	16	12	-	19	16	12	-	19	16	12	-	17	15	11	-
			kW	2.63	2.69	2.76	-	2.82	2.88	2.96	-	2.98	3.04	3.14	-	3.13	3.19	3.29	-	3.25	3.32	3.42	-	3.36	3.43	3.53	-
			Amps	9.6	9.8	10.1	-	10.4	10.6	10.9	-	11.2	11.5	11.8	-	12.0	12.2	12.6	-	12.7	13.0	13.4	-	13.4	13.8	14.2	-
1400		Hi PR	215	232	245	-	242	260	275	-	275	296	312	-	313	337	356	-	352	379	400	-	389	419	442	-	
		Lo PR	106	113	123	-	112	120	130	-	117	124	136	-	123	130	142	-	129	137	149	-	133	141	154	-	
		MBh	35.1	36.4	39.9	-	34.3	35.6	39.0	-	33.5	34.7	38.0	-	32.7	33.9	37.1	-	31.0	32.2	35.2	-	28.8	29.8	32.7	-	
1225		S/T	0.71	0.59	0.41	-	0.74	0.62	0.43	-	0.76	0.63	0.44	-	0.78	0.65	0.45	-	0.81	0.68	0.47	-	0.82	0.68	0.47	-	
		ΔT	19	16	12	-	19	16	12	-	19	16	13	-	19	17	13	-	19	16	12	-	18	15	12	-	
		kW	2.58	2.63	2.70	-	2.76	2.81	2.89	-	2.92	2.97	3.06	-	3.06	3.12	3.21	-	3.17	3.24	3.34	-	3.28	3.35	3.45	-	
70		1575	Amps	9.4	9.6	9.9	-	10.1	10.3	10.6	-	10.9	11.2	11.5	-	11.6	11.9	12.3	-	12.4	12.7	13.1	-	13.1	13.4	13.8	-
			Hi PR	209	225	237	-	234	252	266	-	267	287	303	-	304	327	345	-	342	368	388	-	377	406	429	-
			Lo PR	103	110	120	-	109	116	127	-	113	120	132	-	119	127	138	-	125	133	145	-	129	137	150	-
	1400	MBh	39.9	41.0	44.4	47.7	38.9	40.1	43.4	46.6	38.0	39.1	42.4	45.5	37.1	38.2	41.3	44.4	35.2	36.3	39.3	42.1	32.6	33.6	36.4	39.0	
		S/T	0.88	0.79	0.60	0.38	0.91	0.82	0.62	0.40	0.94	0.84	0.63	0.41	0.97	0.86	0.65	0.42	1.00	0.90	0.68	0.44	1.00	0.90	0.68	0.44	
		ΔT	20	19	15	11	21	19	16	11	21	19	16	11	21	19	16	11	21	19	16	11	19	18	15	10	
	1225	kW	2.67	2.73	2.80	2.89	2.86	2.92	3.01	3.10	3.03	3.09	3.18	3.28	3.18	3.24	3.34	3.45	3.30	3.37	3.47	3.58	3.41	3.48	3.59	3.70	
		Amps	9.8	10.0	10.3	10.7	10.5	10.8	11.1	11.5	11.4	11.7	12.1	12.5	12.2	12.5	12.9	13.3	12.9	13.3	13.7	14.2	13.7	14.0	14.5	15.0	
		Hi PR	220	236	250	260	247	265	280	292	280	302	319	332	319	344	363	379	359	387	408	426	397	427	451	471	
	75	Lo PR	108	115	126	134	115	122	133	142	119	127	138	147	125	133	145	155	131	140	152	162	136	144	158	168	
		MBh	38.7	39.8	43.1	46.3	37.8	38.9	42.1	45.2	36.9	38.0	41.1	44.1	36.0	37.1	40.1	43.1	34.2	35.2	38.1	40.9	31.7	32.6	35.3	37.9	
		S/T	0.84	0.75	0.57	0.37	0.87	0.78	0.59	0.38	0.89	0.80	0.60	0.39	0.92	0.82	0.62	0.40	0.96	0.86	0.65	0.42	0.96	0.86	0.65	0.42	
70	1575	ΔT	21	20	16	11	22	20	16	11	22	20	16	11	22	20	16	11	21	20	16	11	20	18	15	10	
		kW	2.65	2.71	2.78	2.87	2.84	2.90	2.98	3.07	3.01	3.07	3.16	3.26	3.15	3.22	3.32	3.42	3.28	3.34	3.45	3.56	3.38	3.45	3.56	3.68	
		Amps	9.7	9.9	10.2	10.6	10.4	10.7	11.0	11.4	11.3	11.6	12.0	12.4	12.1	12.4	12.8	13.2	12.8	13.1	13.6	14.1	13.6	13.9	14.4	14.9	
	1400	Hi PR	218	234	247	258	244	263	277	289	278	299	316	329	316	340	359	375	356	383	404	422	393	423	447	466	
		Lo PR	107	114	125	133	113	121	132	140	118	125	137	146	124	132	144	153	130	138	151	161	134	143	156	166	
		MBh	35.7	36.8	39.8	42.7	34.9	35.9	38.9	41.7	34.1	35.1	38.0	40.7	33.2	34.2	37.0	39.7	31.6	32.5	35.2	37.8	29.2	30.1	32.6	35.0	
	1225	S/T	0.81	0.72	0.55	0.35	0.84	0.75	0.57	0.37	0.86	0.77	0.58	0.37	0.89	0.79	0.60	0.39	0.92	0.82	0.62	0.40	0.93	0.83	0.63	0.40	
		ΔT	22	20	16	11	22	20	17	11	22	20	17	11	22	20	17	12	22	20	16	11	20	19	15	11	
		kW	2.60	2.65	2.72	2.80	2.78	2.83	2.92	3.00	2.94	3.00	3.09	3.18	3.08	3.14	3.24	3.34	3.20	3.27	3.37	3.47	3.30	3.37	3.48	3.59	
	75	Amps	9.4	9.7	10.0	10.3	10.2	10.4	10.7	11.1	11.0	11.3	11.6	12.1	11.7	12.0	12.4	12.9	12.5	12.8	13.2	13.7	13.2	13.5	14.0	14.5	
		Hi PR	211	227	240	250	237	255	269	281	269	290	306	319	307	330	349	364	345	371	392	409	381	410	433	452	
		Lo PR	104	111	121	129	110	117	128	136	114	122	133	142	120	128	140	149	126	134	146	156	130	139	151	161	

IDB: Entering Indoor Dry Bulb Temperature
 High and low pressures are measured at the liquid and suction service valves.
 Shaded area reflects ACCA (TVA) conditions
 kW = Total system power
 Amps = outdoor unit amps (comp. fan)

EXPANDED COOLING DATA — SSZ140421A* / CA*F4860*6A* +TXV / MBR2000*-1 (CONT.)

IDB	AIRFLOW	OUTDOOR AMBIENT TEMPERATURE																								
		65°F				75°F				85°F				95°F				105°F				115°F				
		59	63	67	71	59	63	67	71	59	63	67	71	59	63	67	71	59	63	67	71	59	63	67	71	
80	1575	MBh	40.6	41.5	44.3	47.3	39.6	40.5	43.3	46.2	38.7	39.5	42.2	45.1	37.7	38.6	41.2	44.0	35.9	36.6	39.1	41.8	33.2	33.9	36.3	38.8
		S/T	0.97	0.91	0.74	0.55	1.00	0.94	0.76	0.57	1.00	0.96	0.78	0.59	1.00	1.00	0.81	0.60	1.00	1.00	0.84	0.63	1.00	1.00	0.85	0.63
		ΔT	23	22	19	15	23	22	19	15	22	23	19	16	22	23	19	16	21	21	19	15	19	20	18	14
		kW	2.69	2.75	2.83	2.91	2.88	2.94	3.03	3.12	3.05	3.11	3.21	3.31	3.20	3.27	3.37	3.47	3.33	3.40	3.50	3.61	3.44	3.51	3.62	3.73
		Amps	9.9	10.1	10.4	10.8	10.6	10.9	11.2	11.6	11.5	11.8	12.2	12.6	12.3	12.6	13.0	13.5	13.1	13.4	13.8	14.3	13.8	14.2	14.6	15.2
	1400	Hi PR	222	239	252	263	249	268	283	295	283	305	322	336	323	347	367	382	363	391	412	430	401	432	456	475
		Lo PR	110	117	127	136	116	123	134	143	120	128	140	149	126	134	147	156	132	141	154	164	137	146	159	169
		MBh	39.4	40.2	43.0	46.0	38.5	39.3	42.0	44.9	37.6	38.4	41.0	43.8	36.6	37.4	40.0	42.8	34.8	35.6	38.0	40.6	32.2	32.9	35.2	37.6
		S/T	0.92	0.86	0.70	0.53	0.95	0.90	0.73	0.54	0.98	0.92	0.75	0.56	1.00	0.95	0.77	0.58	1.00	0.98	0.80	0.60	1.00	0.99	0.81	0.60
		ΔT	24	23	20	16	24	23	20	16	24	23	20	16	24	23	20	16	23	23	20	16	21	21	19	15
1225	kW	2.67	2.73	2.80	2.89	2.86	2.92	3.01	3.10	3.03	3.09	3.18	3.28	3.18	3.24	3.34	3.45	3.30	3.37	3.48	3.59	3.41	3.48	3.59	3.71	
	Amps	9.8	10.0	10.3	10.7	10.5	10.8	11.1	11.5	11.4	11.7	12.1	12.5	12.2	12.5	12.9	13.3	12.9	13.3	13.7	14.2	13.7	14.0	14.5	15.0	
	Hi PR	220	237	250	260	247	265	280	292	280	302	319	332	319	344	363	379	359	387	408	426	397	427	451	471	
	Lo PR	109	115	126	134	115	122	133	142	119	127	138	147	125	133	145	155	131	140	152	162	136	144	158	168	
	MBh	36.4	37.1	39.7	42.4	35.5	36.3	38.8	41.4	34.7	35.4	37.8	40.5	33.8	34.6	36.9	39.5	32.1	32.8	35.1	37.5	29.8	30.4	32.5	34.7	
85	1575	S/T	0.89	0.83	0.68	0.51	0.92	0.86	0.70	0.53	0.94	0.89	0.72	0.54	0.97	0.91	0.74	0.56	1.01	0.95	0.77	0.58	1.02	0.96	0.78	0.58
		ΔT	24	23	20	16	25	24	20	16	25	24	21	16	25	24	21	16	24	23	20	16	23	22	19	15
		kW	2.61	2.67	2.74	2.82	2.80	2.85	2.94	3.03	2.96	3.02	3.11	3.21	3.10	3.17	3.26	3.36	3.22	3.29	3.39	3.50	3.33	3.40	3.50	3.62
		Amps	9.5	9.7	10.0	10.4	10.3	10.5	10.8	11.2	11.1	11.4	11.7	12.2	11.9	12.1	12.5	13.0	12.6	12.9	13.3	13.8	13.3	13.6	14.1	14.6
		Hi PR	213	229	242	253	239	257	272	284	272	293	309	322	310	333	352	367	349	375	396	413	385	414	438	456
	1400	Lo PR	105	112	122	130	111	118	129	138	116	123	134	143	121	129	141	150	127	135	148	157	132	140	153	163
		MBh	41.3	42.1	44.1	47.0	40.3	41.1	43.0	45.9	39.4	40.1	42.0	44.8	38.4	39.1	41.0	43.7	36.5	37.2	38.9	41.5	33.8	34.4	36.1	38.5
		S/T	1.00	0.98	0.88	0.72	1.00	0.97	0.87	0.71	1.00	0.99	0.89	0.72	1.00	1.00	0.92	0.75	1.00	1.00	0.96	0.78	1.00	1.00	0.97	0.78
		ΔT	25	25	24	20	26	25	24	21	25	25	24	21	24	25	24	21	23	24	24	21	22	22	22	19
		kW	2.69	2.75	2.83	2.91	2.88	2.94	3.03	3.12	3.05	3.11	3.21	3.31	3.20	3.27	3.37	3.47	3.33	3.40	3.50	3.61	3.44	3.51	3.62	3.73
1225	Amps	9.9	10.1	10.4	10.8	10.6	10.9	11.2	11.6	11.5	11.8	12.2	12.6	12.3	12.6	13.0	13.5	13.1	13.4	13.8	14.3	13.8	14.2	14.6	15.2	
	Hi PR	222	239	252	263	249	268	283	295	283	305	322	336	323	347	367	382	363	391	412	430	401	432	456	475	
	Lo PR	110	117	127	136	116	123	134	143	120	128	140	149	126	134	147	156	132	141	154	164	137	146	159	169	
	MBh	37.0	37.7	39.5	42.1	36.1	36.8	38.6	41.2	35.3	36.0	37.7	40.2	34.4	35.1	36.7	39.2	32.7	33.3	34.9	37.2	30.3	30.9	32.3	34.5	
	S/T	0.93	0.90	0.81	0.66	0.96	0.93	0.84	0.68	0.99	0.95	0.86	0.70	1.00	0.99	0.89	0.72	1.00	1.00	0.92	0.75	1.00	1.00	0.93	0.76	

IDB: Entering Indoor Dry Bulb Temperature
 High and low pressures are measured at the liquid and suction service valves.
 Shaded area reflects AHRI conditions
 kW = Total system power
 Amps = outdoor unit amps (comp. fan)

EXPANDED COOLING DATA — SSZ140481A* / CA*F4860*6A* +TXV / MBR2000** -1

IDB	AIRFLOW	OUTDOOR AMBIENT TEMPERATURE												ENTERING INDOOR WET BULB TEMPERATURE											
		65°F				75°F				85°F				95°F				105°F				115°F			
		59	63	67	71	59	63	67	71	59	63	67	71	59	63	67	71	59	63	67	71	59	63	67	71
70	MBh	45.1	46.7	51.2	-	44.0	45.6	50.0	-	43.0	44.5	48.8	-	41.9	43.5	47.6	-	39.8	41.3	45.2	-	36.9	38.2	41.9	-
	S/T	0.76	0.64	0.44	-	0.79	0.66	0.46	-	0.81	0.68	0.47	-	0.84	0.70	0.48	-	0.87	0.73	0.50	-	0.88	0.73	0.51	-
	ΔT	18	16	12	-	18	16	12	-	18	16	12	-	18	16	12	-	18	16	12	-	17	15	11	-
	kW	2.98	3.04	3.13	-	3.19	3.26	3.36	-	3.38	3.45	3.56	-	3.55	3.62	3.73	-	3.69	3.77	3.88	-	3.81	3.89	4.01	-
	Amps	5.9	6.2	6.5	-	6.8	7.0	7.4	-	7.7	8.0	8.5	-	8.6	8.9	9.4	-	9.5	9.8	10.3	-	10.3	10.7	11.2	-
	Hi PR	217	233	247	-	243	262	277	-	277	298	315	-	315	339	358	-	355	382	403	-	392	422	445	-
	Lo PR	106	113	123	-	112	119	130	-	116	124	135	-	122	130	142	-	128	136	149	-	132	141	154	-
	MBh	43.8	45.4	49.7	-	42.7	44.3	48.5	-	41.7	43.2	47.4	-	40.7	42.2	46.2	-	38.7	40.1	43.9	-	35.8	37.1	40.7	-
	S/T	0.73	0.61	0.42	-	0.75	0.63	0.44	-	0.77	0.65	0.45	-	0.80	0.67	0.46	-	0.83	0.69	0.48	-	0.84	0.70	0.48	-
	ΔT	19	16	12	-	19	17	13	-	19	17	13	-	19	17	13	-	19	16	12	-	18	15	12	-
	kW	2.96	3.02	3.10	-	3.17	3.23	3.33	-	3.36	3.42	3.53	-	3.52	3.59	3.70	-	3.66	3.74	3.85	-	3.78	3.86	3.98	-
	Amps	5.8	6.1	6.4	-	6.7	6.9	7.3	-	7.6	7.9	8.4	-	8.5	8.8	9.3	-	9.3	9.7	10.2	-	10.2	10.5	11.0	-
Hi PR	215	231	244	-	241	259	274	-	274	295	311	-	312	336	355	-	351	378	399	-	388	418	441	-	
Lo PR	105	112	122	-	111	118	129	-	115	122	134	-	121	129	140	-	127	135	147	-	131	139	152	-	
MBh	40.4	41.9	45.9	-	39.5	40.9	44.8	-	38.5	39.9	43.7	-	37.6	38.9	42.7	-	35.7	37.0	40.5	-	33.1	34.3	37.5	-	
S/T	0.70	0.59	0.41	-	0.73	0.61	0.42	-	0.75	0.62	0.43	-	0.77	0.64	0.45	-	0.80	0.67	0.46	-	0.81	0.67	0.47	-	
ΔT	19	17	13	-	19	17	13	-	19	17	13	-	20	17	13	-	19	17	13	-	18	16	12	-	
kW	2.89	2.95	3.04	-	3.10	3.16	3.25	-	3.28	3.34	3.45	-	3.44	3.51	3.62	-	3.57	3.65	3.76	-	3.69	3.77	3.89	-	
Amps	5.5	5.8	6.1	-	6.3	6.6	7.0	-	7.3	7.6	8.0	-	8.1	8.4	8.9	-	8.9	9.3	9.7	-	9.7	10.1	10.6	-	
Hi PR	208	224	237	-	234	252	266	-	266	286	302	-	303	326	344	-	341	367	387	-	376	405	428	-	
Lo PR	102	108	118	-	107	114	125	-	112	119	130	-	117	125	136	-	123	131	143	-	127	135	148	-	
75	MBh	45.8	47.2	51.1	54.8	44.8	46.1	49.9	53.6	43.7	45.0	48.7	52.3	42.6	43.9	47.5	51.0	40.5	41.7	45.1	48.5	37.5	38.6	41.8	44.9
	S/T	0.87	0.78	0.59	0.38	0.90	0.80	0.61	0.39	0.92	0.82	0.62	0.40	0.95	0.85	0.64	0.41	0.99	0.88	0.67	0.43	1.00	0.89	0.67	0.43
	ΔT	21	19	16	11	21	20	16	11	21	20	16	11	21	20	16	11	21	19	16	11	20	18	15	10
	kW	3.00	3.06	3.15	3.25	3.22	3.28	3.38	3.49	3.41	3.48	3.58	3.70	3.58	3.65	3.76	3.88	3.72	3.80	3.92	4.04	3.84	3.92	4.05	4.18
	Amps	6.0	6.3	6.6	7.0	6.9	7.1	7.5	8.0	7.9	8.2	8.6	9.1	8.7	9.1	9.5	10.0	9.6	9.9	10.4	11.0	10.4	10.8	11.3	11.9
	Hi PR	219	236	249	260	246	265	279	291	280	301	318	331	319	343	362	378	358	386	407	425	396	426	450	469
	Lo PR	107	114	124	132	113	120	131	140	117	125	136	145	123	131	143	153	129	138	150	160	134	142	155	165
	MBh	44.5	45.8	49.6	53.2	43.5	44.8	48.4	52.0	42.4	43.7	47.3	50.8	41.4	42.6	46.1	49.5	39.3	40.5	43.8	47.0	36.4	37.5	40.6	43.6
	S/T	0.83	0.74	0.56	0.36	0.86	0.77	0.58	0.37	0.88	0.79	0.59	0.38	0.91	0.81	0.61	0.40	0.94	0.84	0.64	0.41	0.95	0.85	0.64	0.41
	ΔT	22	20	16	11	22	20	17	12	22	20	17	12	22	21	17	12	22	20	17	11	21	19	15	11
	kW	2.98	3.04	3.13	3.22	3.19	3.26	3.36	3.46	3.38	3.45	3.56	3.67	3.55	3.62	3.73	3.85	3.69	3.77	3.88	4.01	3.81	3.89	4.01	4.14
	Amps	5.9	6.2	6.5	6.9	6.8	7.0	7.4	7.9	7.7	8.1	8.5	9.0	8.6	8.9	9.4	9.9	9.5	9.8	10.3	10.9	10.3	10.7	11.2	11.8
Hi PR	217	233	247	257	243	262	277	289	277	298	315	328	315	339	358	374	355	382	403	421	392	422	445	465	
Lo PR	106	113	123	131	112	119	130	138	116	124	135	144	122	130	142	151	128	136	149	158	132	141	154	164	
MBh	41.1	42.3	45.8	49.1	40.1	41.3	44.7	48.0	39.2	40.3	43.7	46.8	38.2	39.3	42.6	45.7	36.3	37.4	40.5	43.4	33.6	34.6	37.5	40.2	
S/T	0.80	0.71	0.54	0.35	0.83	0.74	0.56	0.36	0.85	0.76	0.57	0.37	0.87	0.78	0.59	0.38	0.91	0.81	0.61	0.40	0.92	0.82	0.62	0.40	
ΔT	22	20	17	12	22	21	17	12	22	21	17	12	23	21	17	12	22	21	17	12	21	19	16	11	
kW	2.91	2.97	3.06	3.15	3.12	3.18	3.28	3.38	3.30	3.37	3.47	3.58	3.46	3.54	3.65	3.76	3.60	3.68	3.79	3.91	3.72	3.80	3.92	4.04	
Amps	5.6	5.9	6.2	6.6	6.4	6.7	7.1	7.5	7.4	7.7	8.1	8.6	8.2	8.6	9.0	9.5	9.1	9.4	9.9	10.4	9.9	10.2	10.7	11.3	
Hi PR	210	226	239	249	236	254	268	280	269	289	305	318	306	329	348	363	344	370	391	408	380	409	432	451	
Lo PR	103	109	119	127	109	115	126	134	113	120	131	140	118	126	138	147	124	132	144	154	128	137	149	159	

IDB: Entering Indoor Dry Bulb Temperature
 High and low pressures are measured at the liquid and suction service valves.
 Shaded area reflects ACCA (TVA) conditions
 kW = Total system power
 Amps = outdoor unit amps (comp. fan)

EXPANDED COOLING DATA — SSZ140481A* / CA*F4860*6A* +TXV / MBR2000** -1 (CONT.)

IDB	AIRFLOW	OUTDOOR AMBIENT TEMPERATURE												ENTERING INDOOR WET BULB TEMPERATURE											
		65°F				75°F				85°F				95°F				105°F				115°F			
		59	63	67	71	59	63	67	71	59	63	67	71	59	63	67	71	59	63	67	71	59	63	67	71
80	MBh	46.7	47.7	50.9	54.4	45.6	46.6	49.7	53.2	44.5	45.5	48.6	51.9	43.4	44.3	47.4	50.6	41.2	42.1	45.0	48.1	38.2	39.0	41.7	44.6
	S/T	0.95	0.89	0.73	0.54	1.00	0.92	0.75	0.56	1.00	0.95	0.77	0.58	1.00	1.00	0.80	0.60	1.00	1.00	0.83	0.62	1.00	1.00	0.83	0.62
	ΔT	23	22	19	16	24	23	20	16	23	23	20	16	23	23	20	16	22	22	20	16	20	21	18	15
	kW	3.03	3.08	3.18	3.27	3.24	3.31	3.41	3.51	3.43	3.51	3.61	3.73	3.60	3.68	3.79	3.91	3.75	3.83	3.95	4.07	3.87	3.95	4.08	4.21
	Amps	6.1	6.4	6.7	7.1	7.0	7.3	7.6	8.1	8.0	8.3	8.7	9.2	8.8	9.2	9.6	10.2	9.7	10.1	10.6	11.2	10.6	11.0	11.5	12.1
	Hi PR	221	238	252	262	248	267	282	294	282	304	321	335	322	346	366	381	362	390	411	429	400	430	454	474
Lo PR	108	115	125	134	114	121	133	141	119	126	138	147	125	133	145	154	131	139	152	162	135	144	157	167	
1744	MBh	45.3	46.3	49.5	52.9	44.2	45.2	48.3	51.6	43.2	44.1	47.2	50.4	42.1	43.1	46.0	49.2	40.0	40.9	43.7	46.7	37.1	37.9	40.5	43.3
	S/T	0.91	0.85	0.69	0.52	0.94	0.88	0.72	0.54	0.96	0.90	0.74	0.55	0.99	0.93	0.76	0.57	1.00	0.97	0.79	0.59	1.00	0.98	0.79	0.59
	ΔT	24	23	20	16	25	24	21	16	25	24	21	16	25	24	21	17	24	23	20	16	22	22	19	15
	kW	3.00	3.06	3.15	3.25	3.22	3.28	3.38	3.49	3.41	3.48	3.58	3.70	3.58	3.65	3.76	3.88	3.72	3.80	3.92	4.04	3.84	3.92	4.05	4.18
	Amps	6.0	6.3	6.6	7.0	6.9	7.1	7.5	8.0	7.9	8.2	8.6	9.1	8.7	9.1	9.5	10.1	9.6	9.9	10.4	11.0	10.4	10.8	11.3	11.9
	Hi PR	219	236	249	260	246	265	279	291	280	301	318	332	319	343	362	378	358	386	407	425	396	426	450	469
Lo PR	107	114	124	132	113	120	131	140	117	125	136	145	123	131	143	153	129	138	150	160	134	142	155	165	
1356	MBh	41.8	42.7	45.6	48.8	40.8	41.7	44.6	47.7	39.9	40.7	43.5	46.5	38.9	39.7	42.5	45.4	36.9	37.8	40.3	43.1	34.2	35.0	37.4	39.9
	S/T	0.87	0.82	0.67	0.50	0.91	0.85	0.69	0.52	0.93	0.87	0.71	0.53	0.96	0.90	0.73	0.55	1.00	0.93	0.76	0.57	1.00	0.94	0.77	0.57
	ΔT	25	24	21	17	25	24	21	17	25	24	21	17	25	24	21	17	25	24	21	17	23	22	19	16
	kW	2.94	2.99	3.08	3.17	3.14	3.21	3.30	3.40	3.33	3.40	3.50	3.61	3.49	3.56	3.67	3.79	3.63	3.71	3.82	3.94	3.75	3.83	3.95	4.08
	Amps	5.7	6.0	6.3	6.7	6.6	6.8	7.2	7.6	7.5	7.8	8.2	8.7	8.4	8.7	9.1	9.6	9.2	9.5	10.0	10.6	10.0	10.4	10.9	11.5
	Hi PR	213	229	242	252	239	257	271	283	271	292	308	322	309	333	351	366	348	374	395	412	384	413	436	455
Lo PR	104	110	121	128	110	117	127	136	114	121	132	141	120	127	139	148	125	133	146	155	130	138	151	160	
85	MBh	47.5	48.4	50.7	54.1	46.4	47.3	49.5	52.8	45.3	46.1	48.3	51.6	44.2	45.0	47.1	50.3	42.0	42.8	44.8	47.8	38.9	39.6	41.5	44.3
	S/T	1.00	0.96	0.87	0.70	1.00	1.00	0.90	0.73	1.00	1.00	0.92	0.75	1.00	1.00	0.95	0.77	1.00	1.00	0.99	0.80	1.00	1.00	1.00	0.81
	ΔT	25	25	23	20	24	25	23	20	24	24	24	20	23	24	24	20	22	23	23	20	20	21	22	19
	kW	3.05	3.11	3.20	3.30	3.27	3.33	3.43	3.54	3.46	3.53	3.64	3.76	3.63	3.71	3.82	3.95	3.78	3.86	3.98	4.11	3.90	3.99	4.11	4.25
	Amps	6.2	6.5	6.8	7.2	7.1	7.4	7.8	8.2	8.1	8.4	8.8	9.4	9.0	9.3	9.8	10.3	9.9	10.2	10.7	11.3	10.7	11.1	11.6	12.3
	Hi PR	224	241	254	265	251	270	285	297	285	307	324	338	325	350	369	385	366	393	415	433	404	435	459	479
Lo PR	109	116	127	135	115	123	134	143	120	127	139	148	126	134	146	156	132	140	153	163	136	145	158	169	
1744	MBh	46.1	47.0	49.2	52.5	45.0	45.9	48.1	51.3	43.9	44.8	46.9	50.1	42.9	43.7	45.8	48.8	40.7	41.5	43.5	46.4	37.7	38.5	40.3	43.0
	S/T	0.95	0.92	0.83	0.67	0.99	0.95	0.86	0.70	1.00	0.97	0.88	0.71	1.00	1.00	0.91	0.74	1.00	1.00	0.94	0.76	1.00	1.00	0.95	0.77
	ΔT	26	26	24	21	26	26	24	21	26	26	24	21	25	26	25	21	24	25	24	21	22	23	23	20
	kW	3.03	3.08	3.18	3.27	3.24	3.31	3.41	3.51	3.43	3.51	3.61	3.73	3.60	3.68	3.79	3.91	3.75	3.83	3.95	4.07	3.87	3.95	4.08	4.21
	Amps	6.1	6.4	6.7	7.1	7.0	7.3	7.6	8.1	8.0	8.3	8.7	9.2	8.8	9.2	9.6	10.2	9.7	10.1	10.6	11.2	10.6	11.0	11.5	12.1
	Hi PR	221	238	252	262	248	267	282	294	282	304	321	335	322	346	366	381	362	390	411	429	400	430	454	474
Lo PR	108	115	125	134	114	121	133	141	119	126	138	147	125	133	145	154	131	139	152	162	135	144	157	167	
1550	MBh	42.5	43.4	45.4	48.5	41.5	42.4	44.4	47.3	40.6	41.3	43.3	46.2	39.6	40.3	42.2	45.1	37.6	38.3	40.1	42.8	34.8	35.5	37.2	39.7
	S/T	0.92	0.88	0.80	0.65	0.95	0.92	0.83	0.67	0.97	0.94	0.85	0.69	1.00	0.97	0.88	0.71	1.00	1.00	0.91	0.74	1.00	1.00	0.92	0.74
	ΔT	26	26	25	21	27	26	25	22	27	26	25	22	27	27	25	22	25	26	25	21	24	24	23	20
	kW	2.96	3.02	3.10	3.20	3.17	3.23	3.33	3.43	3.35	3.42	3.53	3.64	3.52	3.59	3.70	3.82	3.66	3.74	3.85	3.97	3.78	3.86	3.98	4.11
	Amps	5.8	6.1	6.4	6.8	6.7	6.9	7.3	7.8	7.6	7.9	8.3	8.8	8.5	8.8	9.2	9.8	9.3	9.7	10.1	10.7	10.2	10.5	11.0	11.6
	Hi PR	215	231	244	254	241	259	274	286	274	295	311	325	312	336	355	370	351	378	399	416	388	417	441	460
Lo PR	105	111	122	130	111	118	129	137	115	122	134	142	121	129	140	150	127	135	147	157	131	139	152	162	

IDB: Entering Indoor Dry Bulb Temperature
High and low pressures are measured at the liquid and suction service valves.

Shaded area reflects AHRI conditions

kW = Total system power
Amps = outdoor unit amps (comp. fan)

EXPANDED COOLING DATA — SSZ140601A* / CA*F4860*6A* +TXV / MBE2000 -1 (CONT.)**

IDB	AIRFLOW	OUTDOOR AMBIENT TEMPERATURE																																			
		65°F						75°F						85°F						95°F						105°F						115°F					
		59	63	67	71	75	79	59	63	67	71	75	79	59	63	67	71	75	79	59	63	67	71	75	79	59	63	67	71	75	79	59	63	67	71	75	79
80	MBh	57.3	58.6	62.6	66.9	56.0	57.2	61.1	65.3	54.6	55.8	59.6	63.8	53.3	54.5	58.2	62.2	50.6	51.7	55.3	59.1	46.9	47.9	51.2	54.7												
	S/T	0.93	0.87	0.71	0.53	0.96	0.90	0.73	0.55	1.00	0.92	0.75	0.56	1.00	0.95	0.78	0.58	1.00	1.00	0.80	0.60	1.00	1.00	0.81	0.61												
	ΔT	23	22	20	16	24	23	20	16	24	23	20	16	24	23	20	16	22	23	20	16	21	21	18	15												
	kW	3.69	3.76	3.89	4.01	3.97	4.06	4.19	4.33	4.23	4.32	4.47	4.62	4.45	4.55	4.71	4.87	4.64	4.75	4.91	5.08	4.81	4.92	5.09	5.26												
	Amps	7.8	8.2	8.6	9.2	9.0	9.3	9.9	10.5	10.3	10.7	11.3	11.9	11.4	11.9	12.5	13.2	12.6	13.0	13.7	14.5	13.7	14.2	14.9	15.7												
	Hi PR	223	240	254	265	251	270	285	297	285	307	324	338	325	350	369	385	365	393	415	433	404	434	459	479												
	Lo PR	105	112	122	130	111	118	129	137	115	123	134	143	121	129	141	150	127	135	148	157	131	140	153	163												
	MBh	55.6	56.9	60.7	64.9	54.3	55.5	59.3	63.4	53.0	54.2	57.9	61.9	51.8	52.9	56.5	60.4	49.2	50.2	53.7	57.4	45.5	46.5	49.7	53.2												
S/T	0.88	0.83	0.67	0.50	0.91	0.86	0.70	0.52	0.94	0.88	0.72	0.54	0.97	0.91	0.74	0.55	1.00	0.94	0.77	0.57	1.00	0.95	0.77	0.58													
ΔT	24	23	20	16	25	24	21	16	25	24	21	16	25	24	21	17	24	24	20	16	23	22	19	15													
kW	3.66	3.73	3.85	3.98	3.94	4.03	4.16	4.30	4.19	4.29	4.43	4.58	4.42	4.52	4.67	4.82	4.61	4.71	4.87	5.03	4.77	4.88	5.04	5.22													
Amps	7.7	8.0	8.5	9.1	8.8	9.2	9.7	10.3	10.1	10.5	11.1	11.8	11.3	11.7	12.3	13.0	12.4	12.9	13.5	14.3	13.5	14.0	14.7	15.5													
Hi PR	221	238	251	262	248	267	282	294	282	304	321	335	322	346	365	381	362	389	411	429	400	430	454	474													
Lo PR	104	111	121	129	110	117	128	136	114	122	133	141	120	128	139	148	126	134	146	156	130	138	151	161													
MBh	51.4	52.5	56.1	59.9	50.2	51.3	54.8	58.5	49.0	50.0	53.5	57.1	47.8	48.8	52.1	55.7	45.4	46.4	49.5	53.0	42.0	43.0	45.9	49.1													
S/T	0.85	0.80	0.65	0.49	0.88	0.83	0.67	0.50	0.90	0.85	0.69	0.52	0.93	0.88	0.71	0.53	0.97	0.91	0.74	0.55	0.98	0.92	0.75	0.56													
ΔT	25	24	21	17	25	24	21	17	25	24	21	17	25	24	21	17	25	24	21	17	23	22	19	16													
kW	3.57	3.64	3.76	3.88	3.84	3.93	4.06	4.19	4.09	4.18	4.32	4.46	4.31	4.40	4.55	4.70	4.49	4.59	4.74	4.90	4.65	4.75	4.91	5.08													
Amps	7.3	7.6	8.1	8.6	8.4	8.8	9.3	9.9	9.7	10.1	10.6	11.3	10.8	11.2	11.8	12.5	11.9	12.3	13.0	13.7	13.0	13.4	14.1	14.9													
Hi PR	215	231	244	254	241	259	274	285	274	295	311	325	312	336	354	370	351	378	399	416	388	417	441	460													
Lo PR	101	107	117	125	107	113	124	132	111	118	129	137	116	124	135	144	122	130	142	151	126	134	147	156													

85	MBh	58.3	59.4	62.2	66.4	56.9	58.1	60.8	64.9	55.6	56.7	59.4	63.3	54.2	55.3	57.9	61.8	51.5	52.5	55.0	58.7	47.7	48.7	51.0	54.4
	S/T	0.97	0.94	0.85	0.69	1.00	0.97	0.88	0.71	1.00	0.95	0.86	0.69	1.00	0.98	0.88	0.72	1.00	1.00	0.92	0.74	1.00	1.00	0.93	0.75
	ΔT	25	25	23	20	25	25	24	20	25	25	24	20	24	24	24	21	23	23	23	20	21	21	22	19
	kW	3.72	3.80	3.92	4.05	4.01	4.09	4.23	4.37	4.26	4.36	4.50	4.66	4.49	4.59	4.75	4.91	4.68	4.79	4.95	5.12	4.85	4.96	5.13	5.31
	Amps	8.0	8.3	8.8	9.3	9.1	9.5	10.0	10.6	10.4	10.9	11.4	12.1	11.6	12.0	12.7	13.4	12.8	13.2	13.9	14.7	13.9	14.4	15.1	15.9
	Hi PR	226	243	256	268	253	273	288	300	288	310	327	341	328	353	373	389	369	397	419	437	408	439	463	483
	Lo PR	106	113	123	131	112	119	130	139	117	124	135	144	122	130	142	151	128	137	149	159	133	141	154	164
	MBh	56.6	57.7	60.4	64.5	55.3	56.4	59.0	63.0	54.0	55.0	57.6	61.5	52.7	53.7	56.2	60.0	50.0	51.0	53.4	57.0	46.3	47.2	49.5	52.8
S/T	0.93	0.89	0.81	0.65	0.96	0.93	0.84	0.68	0.98	0.95	0.86	0.69	1.00	0.98	0.88	0.72	1.00	1.00	0.92	0.74	1.00	1.00	0.93	0.75	
ΔT	26	26	24	21	26	26	25	21	26	26	25	21	26	26	25	21	25	25	24	21	23	23	23	20	
kW	3.69	3.76	3.89	4.01	3.97	4.06	4.19	4.33	4.23	4.32	4.47	4.62	4.45	4.55	4.71	4.87	4.64	4.75	4.91	5.08	4.81	4.92	5.09	5.26	
Amps	7.8	8.2	8.6	9.2	9.0	9.3	9.9	10.5	10.3	10.7	11.3	11.9	11.4	11.9	12.5	13.2	12.6	13.0	13.7	14.5	13.7	14.2	14.9	15.7	
Hi PR	223	240	254	265	251	270	285	297	285	307	324	338	325	350	369	385	365	393	415	433	404	434	459	479	
Lo PR	105	112	122	130	111	118	129	137	115	123	134	143	121	129	141	150	127	135	148	157	131	140	153	163	
MBh	52.2	53.3	55.8	59.5	51.0	52.0	54.5	58.1	49.8	50.8	53.2	56.7	48.6	49.5	51.9	55.4	46.2	47.1	49.3	52.6	42.8	43.6	45.7	48.7	
S/T	0.89	0.86	0.78	0.63	0.92	0.89	0.81	0.65	0.95	0.92	0.83	0.67	0.98	0.94	0.85	0.69	1.00	0.98	0.88	0.72	1.00	0.99	0.89	0.72	
ΔT	26	26	25	21	27	26	25	22	27	26	25	22	27	27	25	22	26	26	25	21	24	24	23	20	
kW	3.60	3.67	3.79	3.91	3.88	3.96	4.09	4.22	4.12	4.21	4.35	4.50	4.34	4.44	4.59	4.74	4.53	4.63	4.78	4.95	4.69	4.79	4.95	5.12	
Amps	7.4	7.8	8.2	8.8	8.6	8.9	9.4	10.0	9.8	10.2	10.8	11.4	10.9	11.4	12.0	12.6	12.1	12.5	13.1	13.9	13.1	13.6	14.3	15.1	
Hi PR	217	233	246	257	243	262	276	288	277	298	314	328	315	339	358	373	354	381	403	420	392	421	445	464	
Lo PR	102	108	118	126	108	115	125	133	112	119	130	138	118	125	137	145	123	131	143	152	127	136	148	158	

IDB: Entering Indoor Dry Bulb Temperature
 High and low pressures are measured at the liquid and suction service valves.
 Shaded area reflects AHRI conditions
 kW = Total system power
 Amps = outdoor unit amps (comp. + fan)

EXPANDED HEATING DATA

SSZ140181A* / CA*F3131*6A*+TXV / MBR800**-1

	OUTDOOR AMBIENT TEMPERATURE																	
	65	60	55	50	47	45	40	35	30	25	20	17	15	10	5	0	-5	-10
MBh	22.6	21.4	20.2	18.8	18.0	17.4	16.2	14.9	12.8	11.8	10.9	10.3	9.9	8.9	7.9	6.9	5.9	4.8
ΔT	34.9	33.1	31.1	29.1	27.8	26.9	25.0	23.1	19.7	18.2	16.8	15.8	15.3	13.7	12.1	10.6	9.0	7.4
kW	1.56	1.53	1.50	1.47	1.45	1.44	1.41	1.38	1.39	1.36	1.32	1.31	1.29	1.26	1.23	1.20	1.17	1.14
Amps	7.0	6.5	6.1	5.7	5.5	5.4	5.1	4.9	4.7	4.5	4.2	4.1	4.1	3.9	3.6	3.4	3.2	2.9
COP	4.23	4.09	3.93	3.75	3.62	3.54	3.36	3.16	2.70	2.55	2.40	2.30	2.24	2.06	1.87	1.67	1.47	1.23
EER	14.5	14.0	13.4	12.8	12.4	12.1	11.5	10.8	9.2	8.7	8.2	7.9	7.6	7.0	6.4	5.7	5.0	4.2

SSZ140241A* / CA*F3636*6A*+TXV / MBR800**-1

	OUTDOOR AMBIENT TEMPERATURE																	
	65	60	55	50	47	45	40	35	30	25	20	17	15	10	5	0	-5	-10
MBh	30.2	28.6	26.9	25.1	24.0	23.3	21.6	19.9	17.9	16.6	15.2	14.4	13.9	12.4	11.0	9.6	8.2	6.7
ΔT	32.9	31.1	29.3	27.4	26.1	25.3	23.5	21.7	19.5	18.0	16.6	15.7	15.1	13.5	12.0	10.5	8.9	7.3
kW	2.08	2.04	2.00	1.96	1.94	1.92	1.89	1.85	1.87	1.82	1.78	1.76	1.74	1.70	1.66	1.62	1.58	1.54
Amps	8.1	7.9	7.7	7.5	7.4	7.3	7.2	7.1	7.0	6.9	6.8	6.7	6.7	6.6	6.5	6.3	6.2	6.1
COP	4.24	4.09	3.93	3.74	3.62	3.54	3.35	3.16	2.81	2.65	2.50	2.39	2.33	2.14	1.94	1.73	1.52	1.28
EER	14.5	14.0	13.4	12.8	12.4	12.1	11.4	10.8	9.6	9.1	8.5	8.2	7.9	7.3	6.6	5.9	5.2	4.4

SSZ140301A* / CA*F3642*6A*+TXV / MBR1600**-1

	OUTDOOR AMBIENT TEMPERATURE																	
	65	60	55	50	47	45	40	35	30	25	20	17	15	10	5	0	-5	-10
MBh	36.5	34.5	32.5	30.4	28.0	28.1	26.1	24.1	22.6	20.9	19.2	18.2	17.5	15.7	13.9	12.1	10.3	8.5
ΔT	32.1	30.4	28.6	26.8	25.6	24.8	23.0	21.2	19.9	18.4	17.0	16.0	15.4	13.8	12.3	10.7	9.1	7.5
kW	2.40	2.36	2.32	2.27	2.25	2.23	2.19	2.14	2.20	2.15	2.11	2.08	2.06	2.01	1.97	1.92	1.87	1.83
Amps	11.8	10.6	9.6	8.7	8.2	8.0	7.2	6.6	6.1	5.6	5.1	4.9	4.8	4.3	3.6	3.1	2.5	1.8
COP	4.44	4.28	4.10	3.91	3.78	3.69	3.50	3.29	3.01	2.84	2.67	2.55	2.48	2.28	2.07	1.85	1.62	1.36
EER	15.2	14.6	14.0	13.4	12.9	12.6	11.9	11.2	10.3	9.7	9.1	8.7	8.5	7.8	7.1	6.3	5.5	4.6

SSZ140361B*/AR*F374316B*

	OUTDOOR AMBIENT TEMPERATURE																	
	65	60	55	50	47	45	40	35	30	25	20	17	15	10	5	0	-5	-10
MBh	41.5	39.3	37.0	34.6	33.0	32.0	29.7	27.4	24.9	23.0	21.2	20.0	19.3	17.3	15.3	13.4	11.4	9.3
ΔT	30.7	29.1	27.4	25.6	24.4	23.7	22.0	20.3	18.5	17.0	15.7	14.8	14.3	12.8	11.3	9.9	8.4	6.9
kW	2.96	2.90	2.85	2.79	2.76	2.74	2.69	2.64	2.93	2.86	2.80	2.76	2.74	2.68	2.61	2.55	2.49	2.43
Amps	11.9	11.1	10.4	9.8	9.5	9.3	8.9	8.4	8.1	7.8	7.5	7.3	7.2	6.9	6.5	6.1	5.7	5.2
COP	4.11	3.96	3.80	3.62	3.49	3.41	3.23	3.04	2.49	2.35	2.21	2.12	2.06	1.89	1.72	1.53	1.34	1.13
EER	14.0	13.5	13.0	12.4	11.9	11.7	11.0	10.4	8.5	8.0	7.6	7.2	7.0	6.5	5.9	5.2	4.6	3.8

Calculations are based on nominal CFM and 70°F indoor dry bulb.

Amps = Outdoor unit amps (comp.+fan)
kW = Total system power

EXPANDED HEATING DATA (CONT.)

SSZ140421A* / CA*F4860*6A*+TXV / MBR2000**-1

	OUTDOOR AMBIENT TEMPERATURE																	
	65	60	55	50	47	45	40	35	30	25	20	17	15	10	5	0	-5	-10
MBh	51.5	48.8	45.9	42.9	40.0	39.7	36.9	34.0	34.3	31.6	29.1	27.5	26.5	23.8	21.1	18.4	15.7	12.8
ΔT	34.1	32.3	30.4	28.4	27.1	26.3	24.4	22.5	22.7	20.9	19.3	18.2	17.5	15.7	13.9	12.1	10.4	8.5
kW	3.40	3.33	3.27	3.21	3.17	3.14	3.08	3.02	3.07	3.00	2.94	2.90	2.87	2.81	2.74	2.68	2.61	2.54
Amps	15.2	14.1	13.2	12.4	12.0	11.8	11.1	10.6	10.1	9.7	9.2	9.0	8.9	8.5	7.9	7.5	6.9	6.3
COP	4.44	4.28	4.11	3.92	3.79	3.70	3.50	3.30	3.26	3.08	2.90	2.78	2.70	2.48	2.25	2.01	1.76	1.48
EER	15.2	14.6	14.0	13.4	12.9	12.6	12.0	11.3	11.2	10.5	9.9	9.5	9.2	8.5	7.7	6.9	6.0	5.1

SSZ140481A* / CA*F4860*6A*+TXV / MBR2000**-1

	OUTDOOR AMBIENT TEMPERATURE																	
	65	60	55	50	47	45	40	35	30	25	20	17	15	10	5	0	-5	-10
MBh	57.8	54.7	51.5	48.2	47.0	44.6	41.4	38.2	36.6	33.8	31.1	29.4	28.3	25.4	22.5	19.6	16.8	13.7
ΔT	34.5	32.7	30.8	28.8	27.5	26.6	24.7	22.8	21.9	20.2	18.6	17.6	16.9	15.2	13.4	11.7	10.0	8.2
kW	3.98	3.90	3.83	3.75	3.71	3.68	3.60	3.53	3.65	3.57	3.49	3.44	3.41	3.32	3.24	3.16	3.08	3.00
Amps	19.4	17.6	16.1	14.8	14.1	13.7	12.7	11.7	11.0	10.3	9.5	9.2	9.0	8.3	7.4	6.6	5.7	4.6
COP	4.25	4.10	3.94	3.76	3.63	3.55	3.36	3.17	2.94	2.77	2.61	2.50	2.43	2.24	2.03	1.82	1.59	1.34
EER	14.5	14.0	13.5	12.8	12.4	12.1	11.5	10.8	10.0	9.5	8.9	8.5	8.3	7.6	6.9	6.2	5.4	4.6

SSZ140601A* / CA*F4860*6A*+TXV / MBE2000**-1

	OUTDOOR AMBIENT TEMPERATURE																	
	65	60	55	50	47	45	40	35	30	25	20	17	15	10	5	0	-5	-10
MBh	57.8	57.8	57.8	57.8	57.0	55.2	51.3	47.3	47.9	44.2	40.7	38.4	37.0	33.2	29.4	25.7	21.9	17.9
ΔT	35.9	33.9	32.0	29.9	28.5	27.6	25.7	23.7	24.0	22.1	20.4	19.2	18.5	16.6	14.7	12.8	11.0	9.0
kW	4.8	4.7	4.6	4.5	4.48	4.4	4.3	4.2	4.4	4.3	4.2	4.2	4.1	4.0	3.9	3.8	3.7	3.6
Amps	24.7	22.3	20.4	18.8	17.9	17.4	16.0	14.8	13.9	12.9	12.0	11.5	11.3	10.4	9.2	8.2	7.1	5.7
COP	4.3	4.2	4.0	3.8	3.7	3.6	3.5	3.3	3.2	3.0	2.8	2.7	2.6	2.4	2.2	2.0	1.7	1.5
EER	14.8	14.3	13.8	13.1	12.7	12.4	11.8	11.1	10.8	10.2	9.7	9.3	9.0	8.3	7.5	6.8	5.9	5.0

Calculations are based on nominal CFM and 70°F indoor dry bulb.

Amps = Outdoor unit amps (comp.+fan)
kW = Total system power

AHRI RATINGS

OUTDOOR UNIT	INDOOR UNITS		FURNACES	COOLING CAPACITY (BTU/H)			TVA RATINGS ³			HEATING CAPACITY (BTU/H)			CFM	AHRI #
	COILS/AIR HANDLERS			TOTAL	SENS.	SEER ¹	EER ²	TOTAL	SENS.	HI	HSPF ⁴	LOW		
SSZ14 0181A*	ACNF18XX16D*+TXV			17,000	12,700	13.50	11.50	15,800	12,300	17,000	7.70	10,000	580	5561903
	ARPT18B14A*			18,000	13,500	14.00	12.00	16,700	13,000	17,900	7.70	10,000	580	5358285
	ARPT24B14A*			18,000	13,500	14.00	12.00	16,700	13,000	17,900	7.70	10,000	560	5458806
	ARPT30B14A*			18,000	13,500	14.00	12.00	16,700	13,000	17,000	7.80	10,000	585	5458807
	ARUF18B14A*+TXV			17,000	12,700	13.00	11.00	15,800	12,300	17,000	7.70	10,000	605	5458802
	ARUF24B14B*+TXV			17,000	12,700	13.50	11.00	15,800	12,300	17,000	7.70	10,000	605	5583626
	ARUF30B14A*			18,000	13,500	13.30	11.00	16,700	13,000	17,000	7.70	10,000	585	5458805
	ARUF30B14A*+TXV			18,000	13,500	14.00	12.00	16,700	13,000	17,000	7.80	10,000	585	5458804
	ASPT24B14A*			18,000	13,500	14.50	12.00	16,700	13,000	17,000	8.20	9,300	605	5722665
	ASPT30C14A*			18,000	13,500	15.00	12.50	16,700	13,000	17,000	8.00	9,500	580	5722668
	ASUF29B14A*			18,000	13,500	14.00	11.50	16,700	13,000	17,000	8.00	8,800	605	5722667
	ASUF29B14A*+TXV			18,000	13,500	14.50	12.00	16,700	13,000	17,000	8.20	9,300	605	5722666
	AVPTC24B14A*			18,000	13,500	14.50	12.00	16,700	13,000	17,000	8.20	9,300	600	5924408
	AWUF31XX16A*			18,000	13,500	14.50	12.50	16,700	13,000	17,600	8.20	9,000	600	3853246
	AWUF31XX16A*+TXV			18,000	13,500	15.00	12.70	16,700	13,000	17,600	8.20	9,000	600	3853245
	CA*F3131*GD*+EEP+TXV			18,400	13,800	14.00	12.00	17,100	13,300	18,000	8.00	10,400	600	6497960
	CA*F3131*GD*+MBR0800**+1+TXV			18,000	13,500	14.00	12.00	16,700	13,000	18,000	8.10	10,200	600	4985375
	CA*F3131*GD*+MBVC1200**+1A*+TXV			18,000	13,500	15.00	12.50	16,700	13,000	17,900	8.10	10,000	550	6497961
	CA*F3131*GD*+TXV		A*VC950453BxB*	18,000	13,500	15.00	12.50	16,700	13,000	18,000	8.10	10,100	650	6497962
	CA*F3131*GD*+TXV		A*VM960603BxB*	18,000	13,500	15.00	12.50	16,700	13,000	18,000	8.10	10,100	650	6497963
CA*F3131*GD*+TXV		G*VC950453BxB*	18,000	13,500	15.00	12.50	16,700	13,000	18,000	8.10	10,100	650	6497964	
CA*F3131*GD*+TXV		G*VM960603BxB*	18,000	13,500	15.00	12.50	16,700	13,000	18,000	8.10	10,100	650	6497965	
CAPT3131*4A*		A*VC950453BxB*	18,000	13,500	15.00	12.50	16,700	13,000	17,800	8.10	10,100	590	6497966	
CAPT3131*4A*		A*VM960603BxB*	18,000	13,500	15.00	12.50	16,700	13,000	17,700	8.10	10,100	570	6497967	
CAPT3131*4A*		G*VC950453BxB*	18,000	13,500	15.00	12.50	16,700	13,000	17,800	8.10	10,100	590	6497968	
CAPT3131*4A*		G*VM960603BxB*	18,000	13,500	15.00	12.50	16,700	13,000	17,700	8.10	10,100	570	6497969	
CAPT3131*4A*+EEP			18,400	13,800	13.50	12.00	17,100	13,300	18,000	7.70	10,400	580	6497970	
CAPT3131*4A*+MBR0800**+1			18,000	13,500	14.00	12.00	16,700	13,000	18,000	8.00	10,800	580	5527440	
CAPT3131*4A*+MBVC1200**+1A*			18,000	13,500	15.00	12.50	16,700	13,000	17,600	8.10	10,000	585	6497971	
CHP2430B6C*+EEP+TXV			19,000	14,200	14.00	12.00	17,600	13,800	18,000	8.50	10,400	600	6497972	
CHP2430B6C*+MBR0800**+1+TXV			18,000	13,500	14.00	12.00	16,700	13,000	18,000	8.10	10,200	600	3300350	
CHP2430B6C*+MBVC1200**+1A*+TXV			18,400	13,800	14.00	12.00	17,100	13,300	18,000	8.50	10,800	600	6497973	
CHP2430B6C*+TXV		A*VC950453BxB*	18,000	13,500	15.00	12.50	16,700	13,000	18,000	8.10	10,200	600	6497974	
CHP2430B6C**+TXV		A*VM960603BxB*	18,000	13,500	15.00	12.50	16,700	13,000	18,000	8.10	10,200	600	5937510	
CHP2430B6C**+TXV		G*E80603B*B*	18,000	13,500	15.00	12.50	16,700	13,000	18,000	8.10	10,200	670	5038647	
CHP2430B6C**+TXV		G*VC950453BxB*	18,000	13,500	15.00	12.50	16,700	13,000	18,000	8.10	10,200	600	5937511	
CHP2430B6C**+TXV		G*VM960603BxB*	18,000	13,500	15.00	12.50	16,700	13,000	18,000	8.10	10,200	600	5937512	
CHP2430B6C**+TXV		A*EH800603B*A*	18,000	13,500	15.00	12.50	12,500	9,800	16,800	8.1	10,200	670	6844590	
CHP2430B6C**+TXV			19,000	14,200	15.00	13.00	17,600	13,800	18,000	8.50	10,400	650	6497975	
CHP3636B6C*+MBVC1200**+1A*+TXV			18,000	13,500	15.00	12.50	16,700	13,000	18,000	8.10	10,200	650	6497976	
CSCF3036N6D*+TXV		A*VC950453BxB*	18,000	13,500	15.00	12.50	16,700	13,000	18,000	8.10	10,200	650	6497976	
CSCF3036N6D**+TXV		G*VC950453BxB*	18,000	13,500	15.00	12.50	16,700	13,000	18,000	8.10	10,200	650	5937513	

See Notes on Page 35.

AHRI RATINGS (CONT.)

OUTDOOR UNIT	INDOOR UNITS		COOLING CAPACITY (BTU/H)			TVA RATINGS ³			HEATING CAPACITY (BTU/H)			CFM	AHRI #
	COILS/AIR HANDLERS	FURNACES	TOTAL	SENS.	SEER ¹	EER ²	TOTAL	SENS.	HI	HSPF ⁴	LOW		
SSZ14 0241A*	ACNF24XX16D*+TXV		23,000	17,300	13.50	11.50	21,200	17,000	24,600	7.70	14,000	835	5561901
	ARPT24B14A*		24,000	18,100	13.50	11.50	22,200	17,800	24,000	8.00	14,000	820	5358286
	ARPT30B14A*		24,000	18,100	14.00	12.00	22,200	17,800	23,600	8.00	14,200	850	5458810
	ARUF24B14B*+TXV		23,200	17,500	13.50	11.50	21,400	17,200	23,600	7.80	14,100	835	5583627
	ARUF30B14A*+TXV		24,000	18,100	14.00	12.00	22,200	17,800	23,600	8.00	14,200	850	5458809
	ASPT24B14A*		22,600	17,000	14.00	11.50	21,000	16,700	22,000	8.00	13,000	810	5722669
	ASPT30C14A*		23,600	17,800	15.00	12.50	21,800	17,500	22,000	8.50	13,000	845	5722672
	ASUF29B14A*		22,600	17,000	13.50	11.00	21,000	16,700	22,000	8.00	13,600	810	5722671
	ASUF29B14A*+TXV		22,600	17,000	14.00	11.50	21,000	16,700	22,000	8.00	13,000	810	5722670
	ASUF39C14A*		23,600	17,800	14.50	12.00	21,800	17,500	22,000	8.20	12,700	885	5722763
	ASUF39C14A*+TXV		23,600	17,800	15.00	12.50	21,800	17,500	22,000	8.50	12,700	885	5722764
	AVPTC24B14A*		22,600	17,000	14.00	11.50	21,000	16,700	22,000	8.00	13,000	800	5924409
	AVPTC30C14A*		23,600	17,800	15.00	12.50	21,800	17,500	22,000	8.50	13,000	860	5924427
	AWUF31XX16A*		24,000	18,100	14.50	12.50	22,200	17,800	23,000	8.50	13,400	840	3853248
	AWUF31XX16A*+TXV		24,000	18,100	15.00	12.70	22,200	17,800	23,000	8.50	13,400	840	3853247
	AWUF32XX16A*		24,000	18,100	14.50	12.50	22,200	17,800	23,000	8.50	13,400	840	3853250
	AWUF32XX16A*+TXV		24,000	18,100	15.00	12.70	22,200	17,800	23,000	8.50	13,400	840	3853249
	CA*F3636*6D*+EEP+TXV		24,000	18,100	14.00	12.00	22,200	17,800	24,000	8.00	14,000	800	4392840
	CA*F3636*6D*+MBR0800**+1+TXV		24,000	18,100	14.00	12.00	22,200	17,800	24,000	8.20	14,500	850	4392841
	CA*F3636*6D*+MBVC1200**+1A*+TXV		24,000	18,100	15.00	12.50	22,200	17,800	24,000	8.50	14,500	800	4392842
CA*F3636*6D*+MBVC1600**+1A*+TXV		24,000	18,100	15.00	13.00	22,200	17,800	22,000	8.50	12,000	850	4392843	
CA*F3636*6D*+TXV	A*VC950453BXB*		23,600	17,800	14.50	12.20	21,800	17,500	23,600	8.30	14,500	800	6497977
CA*F3636*6D*+TXV	A*VC950704CXB*		23,600	17,800	15.00	12.50	21,800	17,500	23,000	8.30	14,500	800	5937514
CA*F3636*6D*+TXV	A*VC950714CXB*		23,600	17,800	15.00	12.50	21,800	17,500	23,000	8.20	14,500	800	5937515
CA*F3636*6D*+TXV	A*VM960603BXB*		23,600	17,800	14.50	12.20	21,800	17,500	23,600	8.30	14,500	800	5937516
CA*F3636*6D*+TXV	A*VM960604CXB*		23,600	17,800	15.00	12.50	21,800	17,500	23,000	8.20	14,500	800	5937517
CA*F3636*6D*+TXV	G*E80603B*B*		23,600	17,800	15.00	12.50	21,800	17,500	23,000	8.30	14,500	860	5038718
CA*F3636*6D*+TXV	G*VC950453BXB*		23,600	17,800	14.50	12.20	21,800	17,500	23,600	8.30	14,500	800	5937518
CA*F3636*6D*+TXV	G*VC950704CXB*		23,600	17,800	15.00	12.50	21,800	17,500	23,000	8.30	14,500	800	5937519
CA*F3636*6D*+TXV	G*VC950714CXB*		23,600	17,800	15.00	12.50	21,800	17,500	23,000	8.20	14,500	800	5937520
CA*F3636*6D*+TXV	G*VM960603BXB*		23,600	17,800	14.50	12.20	21,800	17,500	23,600	8.30	14,500	800	5937521
CA*F3636*6D*+TXV	G*VM960604CXB*		23,600	17,800	15.00	12.50	21,800	17,500	23,000	8.20	14,500	800	5937522
CA*F3636*6D*+TXV	A*EH800603B*A*		23,600	17,800	15.00	12.50	16,500	13,200	23,000	8.3	14,500	860	6844657
CAPT3131*4A*+EEP			23,000	17,300	13.50	11.50	21,200	17,000	21,600	7.70	14,200	800	5611344
CAPT3131*4A*+MBVC1200**+1A*			23,600	17,800	14.50	12.00	21,800	17,500	21,000	8.00	13,600	850	5611352

See Notes on Page 35.

AHRI RATINGS (CONT.)

OUTDOOR UNIT	INDOOR UNITS		COOLING CAPACITY (BTU/H)				TVA RATINGS ³			HEATING CAPACITY (BTU/H)			CFM	AHRI #
			TOTAL	SENS.	SEER ¹	EER ²	TOTAL	SENS.	SEER ¹	SEER ¹	Hi	HSPF ⁴		
SSZ14 0241A*	CHPF3636B6C**+EEP+TXV	COILS/AIR HANDLERS	24,000	18,100	14.00	12.00	22,200	17,800	24,000	8.20	12,000	800	3300354	
	CHPF3636B6C**+MBR0800**+1+TXV		24,000	18,100	14.00	12.00	22,200	17,800	24,000	8.20	14,500	850	3300356	
	CHPF3636B6C**+MBVC1200**+1A**+TXV		24,000	18,100	15.00	12.50	22,200	17,800	24,000	8.50	14,500	850	3610008	
	CHPF3636B6C**+TXV		24,000	18,100	14.50	12.20	22,200	17,800	24,000	8.30	14,500	800	6497978	
	CHPF3636B6C**+TXV		24,000	18,100	14.50	12.20	22,200	17,800	24,000	8.30	14,500	800	5937523	
	CHPF3636B6C**+TXV		24,000	18,100	15.00	12.50	22,200	17,800	24,000	8.30	14,500	860	5038643	
	CHPF3636B6C**+TXV		24,000	18,100	14.50	12.20	22,200	17,800	24,000	8.30	14,500	800	5937524	
	CHPF3636B6C**+TXV		24,000	18,100	14.50	12.20	22,200	17,800	24,000	8.30	14,500	800	5937525	
	CHPF3636B6C**+TXV		24,000	18,100	15.00	12.50	24,000	16,700	13,400	8.3	14,500	860	6844585	
	CHPF3642C6C**+MBVC1600**+1A**+TXV		24,000	18,100	15.00	12.50	22,200	17,800	22,000	8.50	12,000	850	3610014	
	CHPF3743C6B**+TXV		23,600	17,800	14.50	12.20	21,800	17,500	23,600	8.30	14,500	800	5937526	
	CHPF3743C6B**+TXV		23,600	17,800	14.50	12.20	21,800	17,500	23,600	8.30	14,500	800	5937527	
	CSCF3036N6D**+TXV		24,000	18,100	14.50	12.20	22,200	17,800	23,400	8.30	14,500	800	6497979	
	ACNF30XX16D**+TXV		27,200	19,700	13.50	11.50	25,200	21,200	27,200	7.70	16,000	860	5561902	
	ARPT30B14A*		28,000	20,200	14.00	11.50	26,000	21,800	27,400	8.00	16,200	840	5358287	
	ARPT36C14A*		28,000	20,200	14.00	11.50	26,000	21,800	27,400	8.00	16,200	810	5590002	
	ARUF30B14A*		27,800	20,000	13.00	11.50	25,800	21,600	27,400	7.80	16,200	835	5464285	
ARUF30B14A**+TXV	28,000	20,200	14.00	12.00	26,000	21,800	27,400	8.00	16,300	835	5464286			
ASPT36C14A*	28,000	20,200	15.00	12.50	26,000	21,800	27,000	8.50	15,600	905	5722673			
ASUF39C14A*	28,000	20,200	14.50	12.00	26,000	21,800	27,000	8.20	15,600	905	5722674			
ASUF39C14A**+TXV	28,000	20,200	15.00	12.50	26,000	21,800	27,000	8.50	15,600	905	5722675			
AVPTC36C14A*	28,000	20,200	15.00	12.50	26,000	21,800	27,000	8.50	15,600	930	5924410			
AWUF31XX16A*	28,800	20,800	14.00	12.00	26,600	22,400	28,000	8.50	18,000	1,020	3853216			
AWUF31XX16A**+TXV	28,800	20,800	14.50	12.30	26,600	22,400	28,000	8.50	18,000	1,020	3853251			
AWUF32XX16A*	28,800	20,800	14.00	12.00	26,600	22,400	28,000	8.50	18,000	1,020	3853217			
AWUF32XX16A**+TXV	28,800	20,800	14.50	12.30	26,600	22,400	28,000	8.50	18,000	1,020	3853252			
CA*F3636**6D**+EEP+TXV	28,800	20,800	14.00	12.00	26,600	22,400	28,000	8.30	18,000	1,000	4392853			
CA*F3636**6D**+MBVC1200**+1A**+TXV	28,800	20,800	15.00	13.00	26,600	22,400	28,000	8.50	18,000	950	4392854			
CA*F3636**6D**+TXV	28,800	20,800	15.00	12.50	26,600	22,400	28,600	8.50	16,600	1,000	6497980			
CA*F3636**6D**+TXV	28,800	20,800	15.00	12.50	26,600	22,400	28,600	8.50	16,600	1,000	6497981			
CA*F3636**6D**+TXV	28,800	20,800	15.00	12.50	26,600	22,400	28,800	9.00	18,000	950	6497982			
CA*F3636**6D**+TXV	28,800	20,800	15.00	12.50	26,600	22,400	28,000	8.50	18,000	950	5937528			
CA*F3636**6D**+TXV	28,800	20,800	15.00	12.50	26,600	22,400	28,000	8.50	18,000	950	5937529			
CA*F3636**6D**+TXV	28,800	20,800	15.00	12.00	26,600	22,400	28,000	8.50	18,000	950	5937530			
CA*F3636**6D**+TXV	28,800	20,800	15.00	12.50	26,600	22,400	28,000	8.50	18,000	950	5937531			

See Notes on Page 35.

AHRI RATINGS (CONT.)

OUTDOOR UNIT	INDOOR UNITS		COOLING CAPACITY (BTU/H)				TVA RATINGS ³		HEATING CAPACITY (BTU/H)			CFM	AHRI #
	COILS/AIR HANDLERS	FURNACES	TOTAL	SENS.	SEER ¹	EER ²	TOTAL	SENS.	HI	HSPF ⁴	LOW		
SSZ14 0301A*	CA*F3636*6D*+TXV	G*VC80604B*B*	28,800	20,800	15.00	12.50	26,600	22,400	28,600	8.50	16,600	1,000	6497983
	CA*F3636*6D*+TXV	G*VC950453BXB*	28,800	20,800	15.00	12.00	26,600	22,400	28,000	8.50	18,000	950	5937532
5937533	CA*F3636*6D*+TXV	G*VC950704CXB*	28,800	20,800	15.00	12.00	26,600	22,400	28,000	8.50	18,000	950	5937533
	CA*F3636*6D*+TXV	G*VC950714CXB*	28,800	20,800	15.00	12.00	26,600	22,400	28,000	8.50	18,000	950	5937534
5937535	CA*F3636*6D*+TXV	G*VM960603BXB*	28,800	20,800	15.00	12.00	26,600	22,400	28,000	8.50	18,000	950	5937535
	CA*F3636*6D*+TXV	G*VM960604CXB*	28,800	20,800	15.00	12.00	26,600	22,400	28,000	8.50	18,000	950	5937536
6497984	CA*F3642*6D*+MBRR1600**+1+TXV		28,800	20,800	14.00	12.00	26,600	22,400	29,000	8.50	18,000	1,050	6497984
	CA*F3743*6D*+EHP+TXV		28,400	20,600	14.00	12.00	26,400	22,200	28,200	8.50	18,000	1,000	4415219
4415240	CA*F3743*6D*+MBVC1600**+1A*+TXV		28,800	20,800	15.00	12.50	26,600	22,400	27,400	8.50	18,000	1,000	4415240
	CA*F3743*6D*+TXV	A*VC80805C*B*	28,800	20,800	14.50	12.20	26,600	22,400	28,000	8.50	16,600	990	6497985
5937537	CA*F3743*6D*+TXV	A*VC950704CXB*	28,800	20,800	14.50	12.00	26,600	22,400	27,600	8.50	16,200	1,000	5937537
	CA*F3743*6D*+TXV	A*VC950714CXB*	28,800	20,800	14.50	12.00	26,600	22,400	27,800	8.50	16,200	1,000	5937538
5937539	CA*F3743*6D*+TXV	A*VM960604CXB*	28,800	20,800	14.50	12.00	26,600	22,400	27,800	8.20	18,000	1,000	5937539
	CA*F3743*6D*+TXV	ADV80805C*B*	28,800	20,800	14.50	12.20	26,600	22,400	27,400	8.50	16,600	990	6497986
5038616	CA*F3743*6D*+TXV	G*E80805C*B*	28,800	20,800	14.50	12.20	26,600	22,400	27,800	8.50	16,600	1,060	5038616
	CA*F3743*6D*+TXV	G*E81005C*B*	28,800	20,800	14.50	12.20	26,600	22,400	27,800	8.50	16,600	1,080	5038617
6497987	CA*F3743*6D*+TXV	G*VC80805C*B*	28,800	20,800	14.50	12.20	26,600	22,400	28,000	8.50	16,600	990	6497987
	CA*F3743*6D*+TXV	G*VC950704CXB*	28,800	20,800	14.50	12.00	26,600	22,400	27,600	8.50	16,200	1,000	5937540
5937541	CA*F3743*6D*+TXV	G*VC950714CXB*	28,800	20,800	14.50	12.00	26,600	22,400	27,800	8.20	18,000	1,000	5937541
	CA*F3743*6D*+TXV	G*VM960604CXB*	28,800	20,800	14.50	12.00	26,600	22,400	27,800	8.20	18,000	1,000	5937542
6844566	CA*F3743*6D*+TXV	A*EH800805C*A*	28,800	20,800	14.50	12.20	19,300	16,200	27,800	8.5	16,600	1,060	6844566
	CA*F3743*6D*+TXV	A*EH801005C*A*	28,800	20,800	14.50	12.20	19,300	16,200	27,800	8.5	16,600	1,080	6844567
5937543	CAPT3743*4A*	A*VC950704CXB*	28,800	20,800	14.50	12.00	26,600	22,400	26,600	8.50	16,200	875	5937543
	CAPT3743*4A*	A*VC950714CXB*	28,800	20,800	14.50	12.00	26,600	22,400	26,600	8.20	18,000	875	5937544
5937545	CAPT3743*4A*	A*VM960604CXB*	28,800	20,800	14.50	12.00	26,600	22,400	26,600	8.20	18,000	855	5937545
	CAPT3743*4A*	G*E80805C*B*	28,800	20,800	14.50	12.00	26,600	22,400	26,800	8.20	16,600	850	5520810
5520810	CAPT3743*4A*	G*E81005C*B*	28,800	20,800	14.50	12.00	26,600	22,400	26,800	8.20	16,600	1,080	5520811
	CAPT3743*4A*	G*VC950704CXB*	28,800	20,800	14.50	12.00	26,600	22,400	26,600	8.50	16,200	875	5937546
5937547	CAPT3743*4A*	G*VC950714CXB*	28,800	20,800	14.50	12.00	26,600	22,400	26,600	8.20	18,000	875	5937547
	CAPT3743*4A*	G*VM960604CXB*	28,800	20,800	14.50	12.00	26,600	22,400	26,600	8.20	18,000	855	5937548
6844665	CAPT3743*4A*	A*EH800805C*A*	28,800	20,800	14.50	12.00	19,300	16,200	26,800	8.2	16,600	850	6844665
	CAPT3743*4A*	A*EH801005C*A*	28,800	20,800	14.50	12.00	19,300	16,200	26,800	8.2	16,600	1,080	6844667
5520827	CAPT3743*4A*+EHP		28,400	20,600	14.00	12.00	26,400	22,200	27,200	8.00	18,000	850	5520827
	CAPT3743*4A*+MBVC1600**+1A*		28,800	20,800	15.00	12.50	26,600	22,400	26,800	8.20	18,000	890	5527442
6497988	CHP3636B6C*+MBVC1200**+1A*+TXV		30,000	21,600	15.00	13.00	27,800	23,400	28,000	8.50	18,000	1,050	6497988

See Notes on Page 35.

AHRI RATINGS (CONT.)

OUTDOOR UNIT	INDOOR UNITS		COOLING CAPACITY (BTU/H)				TVA RATINGS ³			HEATING CAPACITY (BTU/H)			CFM	AHRI #	
	COILS/AIR HANDLERS	FURNACES	TOTAL	SENS.	SEER ¹	EER ²	TOTAL	SENS.	SEER ¹	EER ²	HI	HSPF ⁴			LOW
SSZ14 0301A*	CHPF3642C6C**+EEP+TXV		28,800	20,800	14.00	12.00	26,600	22,400	28,000	8.50	28,000	8.50	18,000	1,000	3300360
	CHPF3642C6C**+MBR1600**-1+TXV		28,800	20,800	14.00	12.00	26,600	22,400	29,000	8.50	29,000	8.50	18,000	1,000	3300362
	CHPF3642C6C**+MBVC1200**-1A**+TXV		30,000	21,600	15.00	13.00	27,800	23,400	28,000	8.50	28,000	8.50	18,000	1,050	6506558
	CHPF3642C6C**+MBVC1600**-1A**+TXV		28,800	20,800	15.00	12.50	26,600	22,400	29,000	8.50	29,000	8.50	18,000	1,000	3610015
	CHPF3642C6C**+TXV	A*VC80805C*B*	28,800	20,800	14.50	12.20	26,600	22,400	28,600	8.50	28,600	8.50	16,600	990	6497989
	CHPF3642C6C**+TXV	A*VC950704CXB*	28,800	20,800	14.50	12.20	26,600	22,400	29,000	8.50	29,000	8.50	18,000	950	5937549
	CHPF3642C6C**+TXV	A*VM960604CXB*	28,800	20,800	14.50	12.20	26,600	22,400	29,000	8.50	29,000	8.50	18,000	950	5937550
	CHPF3642C6C**+TXV	G*E80805C*B*	28,800	20,800	14.50	12.20	26,600	22,400	28,400	8.50	28,400	8.50	16,600	1,060	5038648
	CHPF3642C6C**+TXV	G*E81005C*B*	28,800	20,800	14.50	12.20	26,600	22,400	28,200	8.50	28,200	8.50	16,600	1,080	5038670
	CHPF3642C6C**+TXV	G*VC80805C*B*	28,800	20,800	14.50	12.20	26,600	22,400	28,600	8.50	28,600	8.50	16,600	990	6497990
	CHPF3642C6C**+TXV	G*VC950704CXB*	28,800	20,800	14.50	12.20	26,600	22,400	29,000	8.50	29,000	8.50	18,000	950	5937551
	CHPF3642C6C**+TXV	G*VM960604CXB*	28,800	20,800	14.50	12.20	26,600	22,400	29,000	8.50	29,000	8.50	18,000	950	5937552
	CHPF3642C6C**+TXV	A*EH80805C*A*	28,800	20,800	14.50	12.20	26,600	16,200	28,400	8.5	28,400	8.5	16,600	1,060	6844591
	CHPF3642C6C**+TXV	A*EH801005C*A*	28,800	20,800	15.00	12.50	26,600	16,200	28,200	8.5	28,200	8.5	16,600	1,080	6844612
	CHPF3743C6B**+MBVC1600**-1A**+TXV		28,800	20,800	15.00	12.50	26,600	22,400	29,000	8.50	29,000	8.50	18,000	1,000	3610024
	CHPF3743C6B**+TXV	A*VC950704CXB*	28,800	20,800	14.50	12.20	26,600	22,400	29,000	8.50	29,000	8.50	18,000	950	5937553
	CHPF3743C6B**+TXV	A*VM960604CXB*	28,800	20,800	14.50	12.20	26,600	22,400	29,000	8.50	29,000	8.50	18,000	950	5937554
	CHPF3743C6B**+TXV	G*VC950704CXB*	28,800	20,800	14.50	12.20	26,600	22,400	29,000	8.50	29,000	8.50	18,000	950	5937555
	CHPF3743C6B**+TXV	G*VM960604CXB*	28,800	20,800	14.50	12.20	26,600	22,400	29,000	8.50	29,000	8.50	18,000	950	5937556
	CSCF3642N6D**+TXV	G*VC950704CXB*	28,800	20,800	14.50	12.00	26,600	22,400	28,800	8.50	28,800	8.50	17,800	900	5937557
CSCF3642N6D**+TXV	A*VC950704CXB*	28,800	20,800	14.50	12.00	26,600	22,400	28,800	8.50	28,800	8.50	17,800	900	6497991	
SSZ14 0361B*	ARPT36C14A*		33,000	25,200	13.50	11.00	30,600	25,600	33,200	8.10	33,200	8.10	20,000	1,235	5358290
	ARPT36D14A*		33,400	25,600	14.00	11.50	31,000	26,000	30,000	8.30	30,000	8.30	20,000	1,120	5358288
	ARUF48D14A*		34,000	26,000	13.00	11.50	31,400	26,400	33,000	8.20	33,000	8.20	20,000	1,125	5492062
	ASPT36C14A*		33,000	25,200	14.00	12.00	30,600	25,600	32,000	8.20	32,000	8.20	19,300	1,095	5722678
	ASPT42D14A*		34,200	26,200	15.00	12.50	31,600	26,600	32,000	8.50	32,000	8.50	19,000	1,145	5722692
	ASUF39C14A*		33,600	25,600	14.00	12.00	31,200	26,200	32,000	8.20	32,000	8.20	19,000	1,200	5722676
	ASUF39C14A**+TXV		33,600	25,600	14.00	12.00	31,200	26,200	32,000	8.20	32,000	8.20	19,000	1,200	5722677
	AVPTC36C14A*		31,600	24,200	13.50	12.00	29,200	24,600	32,000	8.00	32,000	8.00	19,300	1,100	5924428
	AVPTC42D14A*		34,200	26,200	15.00	12.50	31,600	26,600	32,000	8.50	32,000	8.50	19,000	1,225	5924429
	AWUF37XX16B**+TXV		32,000	24,400	13.50	11.50	29,600	24,800	32,000	8.50	32,000	8.50	18,000	1,150	5010811
CA**F3743*6D*	A*VC950905CXB*	34,000	26,000	14.50	12.50	31,400	26,400	32,200	8.50	32,200	8.50	18,000	1,270	6497992	
CA**F3743*6D**+TXV	A*VC80805C*B*	34,000	26,000	15.00	12.00	31,400	26,400	33,000	8.50	33,000	8.50	18,000	1,200	5953881	
CA**F4961*6D*	A*VC950704CXB*	34,600	26,400	14.50	12.20	32,000	27,000	33,400	8.50	33,400	8.50	20,000	1,250	5937558	
CA**F4961*6D*	A*VC950714CXB*	34,600	26,400	14.50	12.20	32,000	27,000	33,400	8.50	33,400	8.50	20,000	1,275	5937559	

See Notes on Page 35.

AHRI RATINGS (CONT.)

OUTDOOR UNIT	INDOOR UNITS		COOLING CAPACITY (BTU/H)			TVA RATINGS ³			HEATING CAPACITY (BTU/H)			CFM	AHRI #
	COILS/AIR HANDLERS	FURNACES	TOTAL	SENS.	SEER ¹	EER ²	TOTAL	SENS.	HI	HSPF ⁴	LOW		
SSZ14 0361B*	CA*F4961*6D*	A*VC950905CXB*	35,000	26,800	15.00	12.50	32,400	27,200	33,400	8.70	20,000	1,300	5937560
	CA*F4961*6D*	A*VC950905DXB*	35,000	26,800	15.00	12.50	32,400	27,200	33,400	8.90	20,000	1,300	5937561
	CA*F4961*6D*	A*VC950915DXB*	35,000	26,800	15.00	12.50	32,400	27,200	33,400	8.70	20,000	1,300	5937562
	CA*F4961*6D*	A*VC951155DXB*	35,000	26,800	15.00	12.50	32,400	27,200	33,400	8.80	20,000	1,250	5937563
	CA*F4961*6D*	A*VM960604CXB*	34,600	26,400	14.50	12.20	32,000	27,000	33,400	8.50	20,000	1,275	5937564
	CA*F4961*6D*	G*E80805C*B*	34,600	26,400	14.50	12.20	32,000	27,000	33,400	8.50	20,000	1,290	5038719
	CA*F4961*6D*	G*E81005C*B*	34,600	26,400	14.50	12.20	32,000	27,000	33,400	8.50	20,000	1,230	5038656
	CA*F4961*6D*	G*VC950704CXB*	34,600	26,400	14.50	12.20	32,000	27,000	33,400	8.50	20,000	1,250	5937565
	CA*F4961*6D*	G*VC950714CXB*	34,600	26,400	14.50	12.20	32,000	27,000	33,400	8.50	20,000	1,250	5937566
	CA*F4961*6D*	G*VC950905CXB*	35,000	26,800	15.00	12.50	32,400	27,200	33,400	8.70	20,000	1,300	5937567
	CA*F4961*6D*	G*VC950905DXB*	35,000	26,800	15.00	12.50	32,400	27,200	33,400	8.90	20,000	1,300	5937568
	CA*F4961*6D*	G*VC950915DXB*	35,000	26,800	15.00	12.50	32,400	27,200	33,400	8.70	20,000	1,300	5937569
	CA*F4961*6D*	G*VC951155DXB*	35,000	26,800	15.00	12.50	32,400	27,200	33,400	8.80	20,000	1,250	5937570
	CA*F4961*6D*	G*VM960604CXB*	34,600	26,400	14.50	12.20	32,000	27,000	33,400	8.50	20,000	1,250	5937571
	CA*F4961*6D*	G*VM960805CXB*	35,000	26,800	15.00	12.50	32,400	27,200	33,400	8.70	20,000	1,300	5937572
	CA*F4961*6D*	G*VM960805DXB*	35,000	26,800	15.00	12.50	32,400	27,200	33,400	8.70	20,000	1,300	5937573
	CA*F4961*6D*	G*VM961005DXB*	35,000	26,800	15.00	12.50	32,400	27,200	33,400	8.80	20,000	1,250	5937574
	CA*F4961*6D*	G*VM961155DXB*	35,000	26,800	15.00	12.50	32,400	27,200	33,400	8.80	20,000	1,250	5937575
	CA*F4961*6D*	A*EH801005C*A*	34,600	26,400	14.50	12.20	24,400	20,600	33,400	8.5	20,000	1,230	6844601
	CA*F4961*6D*	A*EH800805C*A*	34,600	26,400	14.50	12.20	24,400	20,600	33,400	8.5	20,000	1,290	6844659
CA*F4961*6D*+EFP		34,800	26,600	14.00	12.00	32,200	27,000	33,400	8.50	20,000	1,250	4431858	
CA*F4961*6D*+MBR1600**1		35,000	26,800	14.00	12.00	32,400	27,200	33,400	8.50	20,000	1,250	4431859	
CA*F4961*6D*+MBR1600**1		34,600	26,400	14.00	12.00	32,000	27,000	33,400	8.50	20,000	1,275	4431967	
CA*F4961*6D*+MBR1600**1+TXV		34,600	26,400	14.00	12.00	32,000	27,000	33,400	8.50	20,000	1,275	4431968	
CA*F4961*6D*+MBVC1600**1A*		35,000	26,800	14.50	12.20	32,400	27,200	33,000	9.00	20,000	1,250	4431969	
CA*F4961*6D*+MBVC1600**1A*+TXV		35,000	26,800	14.50	12.20	32,400	27,200	33,000	9.00	20,000	1,250	4431970	
CA*F4961*6D*+MBVC2000**1A*		35,000	26,800	15.00	13.00	32,400	27,200	33,000	9.00	20,000	1,250	4431971	
CA*F4961*6D*+MBVC2000**1A*+TXV		35,000	26,800	15.00	13.00	32,400	27,200	33,000	9.00	20,000	1,250	4431972	
CA*F4961*6D*+TXV	A*VC950704CXB*	34,600	26,400	14.50	12.20	32,000	27,000	33,400	8.50	20,000	1,250	5937576	
CA*F4961*6D*+TXV	A*VC950714CXB*	34,600	26,400	14.50	12.20	32,000	27,000	33,400	8.50	20,000	1,275	5937577	
CA*F4961*6D*+TXV	A*VC950905CXB*	35,000	26,800	15.00	12.50	32,400	27,200	33,400	8.70	20,000	1,300	5937578	
CA*F4961*6D*+TXV	A*VC950905DXB*	35,000	26,800	15.00	12.50	32,400	27,200	33,400	8.90	20,000	1,300	5937579	
CA*F4961*6D*+TXV	A*VC950915DXB*	35,000	26,800	15.00	12.50	32,400	27,200	33,400	8.80	20,000	1,300	5937580	
CA*F4961*6D*+TXV	A*VC951155DXB*	35,000	26,800	15.00	12.50	32,400	27,200	33,400	8.80	20,000	1,250	5937581	
CA*F4961*6D*+TXV	A*VM960604CXB*	34,600	26,400	14.50	12.20	32,000	27,000	33,400	8.50	20,000	1,275	5937582	

See Notes on Page 35.

AHRI RATINGS (CONT.)

OUTDOOR UNIT	INDOOR UNITS		COOLING CAPACITY (BTU/H)			TVA RATINGS ³			HEATING CAPACITY (BTU/H)			CFM	AHRI #
	COILS/AIR HANDLERS	FURNACES	TOTAL	SENS.	SEER ¹	EER ²	TOTAL	SENS.	HI	HSPF ⁴	LOW		
SSZ14 0361B*	CA*F4961*6D*+TXV	G*E80805C*B*	34,600	26,400	14.50	12.20	32,000	27,000	33,400	8.50	20,000	1,290	5038688
	CA*F4961*6D*+TXV	G*E81005C*B*	34,600	26,400	14.50	12.20	32,000	27,000	33,400	8.50	20,000	1,230	5038657
	CA*F4961*6D*+TXV	G*VC950704CXB*	34,600	26,400	14.50	12.20	32,000	27,000	33,400	8.50	20,000	1,250	5937583
	CA*F4961*6D*+TXV	G*VC950714CXB*	34,600	26,400	14.50	12.20	32,000	27,000	33,400	8.50	20,000	1,250	5937584
	CA*F4961*6D*+TXV	G*VC950905CXB*	35,000	26,800	15.00	12.50	32,400	27,200	33,400	8.70	20,000	1,300	5937585
	CA*F4961*6D*+TXV	G*VC950905DXB*	35,000	26,800	15.00	12.50	32,400	27,200	33,400	8.90	20,000	1,300	5937586
	CA*F4961*6D*+TXV	G*VC950915DXB*	35,000	26,800	15.00	12.50	32,400	27,200	33,400	8.80	20,000	1,300	5937587
	CA*F4961*6D*+TXV	G*VC951155DXB*	35,000	26,800	15.00	12.50	32,400	27,200	33,400	8.80	20,000	1,250	5937588
	CA*F4961*6D*+TXV	G*VM960604CXB*	34,600	26,400	14.50	12.20	32,000	27,000	33,400	8.50	20,000	1,250	5937589
	CA*F4961*6D*+TXV	G*VM960805CXB*	35,000	26,800	15.00	12.50	32,400	27,200	33,400	8.70	20,000	1,300	5937590
	CA*F4961*6D*+TXV	G*VM960805DXB*	35,000	26,800	15.00	12.50	32,400	27,200	33,400	8.80	20,000	1,300	5937591
	CA*F4961*6D*+TXV	G*VM961005DXB*	35,000	26,800	15.00	12.50	32,400	27,200	33,400	8.80	20,000	1,250	5937592
	CA*F4961*6D*+TXV	G*VM961155DXB*	35,000	26,800	15.00	12.50	32,400	27,200	33,400	8.80	20,000	1,250	5937593
	CA*F4961*6D*+TXV	A*EH801005C*A*	34,600	26,400	14.50	12.20	24,400	20,600	33,400	8.5	20,000	1,230	6844602
	CA*F4961*6D*+TXV	A*EH800805C*A*	34,600	26,400	14.50	12.20	24,400	20,600	33,400	8.5	20,000	1,290	6844628
	CHPF3743C6B*+MBVC1600**,-1A*		33,400	25,600	14.50	12.00	31,000	26,000	33,000	8.50	18,000	1,250	5614954
	CHPF4860D6D*	A*VC950704CXB*	34,600	26,400	15.00	12.50	32,000	27,000	33,400	8.80	20,000	1,250	5937594
	CHPF4860D6D*	A*VC951155DXB*	34,600	26,400	15.00	12.50	32,000	27,000	33,400	8.80	20,000	1,250	5937595
	CHPF4860D6D*	A*VM960604CXB*	34,600	26,400	15.00	12.50	32,000	27,000	33,400	8.50	20,000	1,250	5937596
	CHPF4860D6D*	A*VM961005DXB*	34,600	26,400	15.00	12.50	32,000	27,000	33,400	8.80	20,000	1,250	5937597
	CHPF4860D6D*	A*VM961155DXB*	34,600	26,400	15.00	12.50	32,000	27,000	33,400	8.80	20,000	1,250	5937598
	CHPF4860D6D*	G*VC950704CXB*	34,600	26,400	15.00	12.50	32,000	27,000	33,400	8.80	20,000	1,250	5937599
	CHPF4860D6D*	G*VC951155DXB*	34,600	26,400	15.00	12.50	32,000	27,000	33,400	8.80	20,000	1,250	5937600
	CHPF4860D6D*	G*VM960604CXB*	34,600	26,400	15.00	12.50	32,000	27,000	33,400	8.50	20,000	1,250	5937601
	CHPF4860D6D*	G*VM961005DXB*	34,600	26,400	15.00	12.50	32,000	27,000	33,400	8.80	20,000	1,250	5937602
	CHPF4860D6D*	G*VM961155DXB*	34,600	26,400	15.00	12.50	32,000	27,000	33,400	8.80	20,000	1,250	5937603
	CHPF4860D6D*+EEP		34,800	26,600	14.00	12.00	32,200	27,000	33,000	8.60	20,000	1,250	4260497
	CHPF4860D6D*+EEP+TXV		35,000	26,800	14.00	12.00	32,400	27,200	33,000	8.60	20,000	1,250	4260498
	CHPF4860D6D*+MBVC2000**,-1A*		34,600	26,400	15.00	13.00	32,000	27,000	33,000	9.00	20,000	1,200	4260501
	CHPF4860D6D*+MBVC2000**,-1A*+TXV		34,600	26,400	15.00	13.00	32,000	27,000	33,000	9.00	20,000	1,200	4260502
	CHPF4860D6D*+TXV	A*VC950905DXB*	34,600	26,400	15.00	12.50	32,000	27,000	33,400	8.80	20,000	1,275	5937604
	CHPF4860D6D*+TXV	A*VC951155DXB*	34,600	26,400	15.00	12.50	32,000	27,000	33,400	8.80	20,000	1,250	5937605

See Notes on Page 35.

AHRI RATINGS (CONT.)

OUTDOOR UNIT	INDOOR UNITS		COOLING CAPACITY (BTU/H)				TVA RATINGS ³			HEATING CAPACITY (BTU/H)			CFM	AHRI #
	COILS/AIR HANDLERS	FURNACES	TOTAL	SENS.	SEER ¹	EER ²	TOTAL	SENS.	HI	HSPF ⁴	LOW			
SSZ14 0361B*	CHPF4860D6D*+TXV	A*VM961005DXB*	34,600	26,400	15.00	12.50	32,000	27,000	33,400	8.80	20,000	1,250	5937606	
	CHPF4860D6D*+TXV	A*VM961155DXB*	34,600	26,400	15.00	12.50	32,000	27,000	33,400	8.80	20,000	1,250	5937607	
	CHPF4860D6D*+TXV	G*VC950905DXB*	34,600	26,400	15.00	12.50	32,000	27,000	33,400	8.80	20,000	1,275	5937608	
	CHPF4860D6D*+TXV	G*VC951155DXB*	34,600	26,400	15.00	12.50	32,000	27,000	33,400	8.80	20,000	1,250	5937609	
	CHPF4860D6D*+TXV	G*VM961005DXB*	34,600	26,400	15.00	12.50	32,000	27,000	33,400	8.80	20,000	1,250	5937610	
	CHPF4860D6D*+TXV	G*VM961155DXB*	34,600	26,400	15.00	12.50	32,000	27,000	33,400	8.80	20,000	1,250	5937611	
	CSCF4860NGD*	A*VC951155DXB*	34,600	26,400	15.00	12.50	32,000	27,000	33,200	8.80	20,000	1,225	5937612	
	CSCF4860NGD*	G*VC951155DXB*	34,600	26,400	15.00	12.50	32,000	27,000	33,200	8.80	20,000	1,225	5937613	
	CSCF4860NGD*+MBVC1600**+TXV		34,600	26,400	15.00	12.50	32,000	27,000	33,200	8.80	20,000	1,200	4767707	
	CSCF4860NGD*+MBVC2000**+TXV		34,600	26,400	15.00	12.50	32,000	27,000	33,200	8.80	20,000	1,175	4767708	
	CSCF4860NGD*+TXV	A*VC951155DXB*	34,600	26,400	15.00	12.50	32,000	27,000	33,200	8.80	20,000	1,225	5937614	
	CSCF4860NGD*+TXV	G*VC951155DXB*	34,600	26,400	15.00	12.50	32,000	27,000	33,200	8.80	20,000	1,225	5937615	
	ARPT42D14A*		40,000	29,400	14.00	11.50	37,200	30,400	40,000	8.50	24,200	1,330	5358291	
	ARPT48D14A*		40,500	29,800	14.00	12.00	37,600	30,800	40,000	8.50	24,200	1,280	5458813	
ARUF48D14A*		40,000	29,400	13.00	11.00	37,200	30,400	40,000	8.00	24,200	1,350	5497285		
ARUF48D14A*+TXV		40,000	29,400	14.00	11.50	37,200	30,400	40,000	8.20	24,200	1,280	5492063		
ASPT48D14A*		41,500	30,600	15.00	12.50	38,500	31,600	40,000	8.50	23,000	1,410	5796520		
ASPT60D14A*		41,500	30,600	15.00	12.50	38,500	31,600	40,000	8.50	23,000	1,410	5722679		
ASUF49C14A*		38,000	28,000	13.50	11.00	35,200	29,000	39,500	8.00	24,000	1,350	5620395		
AVPTC48D14A*		41,500	30,600	15.00	12.50	38,500	31,600	40,000	8.50	23,000	1,400	5924411		
AVPTC60D14A*		41,500	30,600	15.00	12.50	38,500	31,600	40,000	8.50	23,000	1,420	5924412		
CA*F4860*6D*+TXV	A*VC950704CXB*	40,000	29,400	14.50	12.20	37,200	30,400	41,000	8.75	25,000	1,200	5937616		
CA*F4860*6D*+TXV	A*VC950714CXB*	40,000	29,400	14.50	12.20	37,200	30,400	41,000	8.75	25,000	1,200	5937617		
CA*F4860*6D*+TXV	G*VC950704CXB*	40,000	29,400	14.50	12.20	37,200	30,400	41,000	8.75	25,000	1,200	5937618		
CA*F4860*6D*+TXV	G*VC950714CXB*	40,000	29,400	14.50	12.20	37,200	30,400	41,000	8.75	25,000	1,200	5937619		
CA*F4961*6D*	A*VC81005C*B*	40,000	29,400	14.50	12.50	37,200	30,400	40,500	8.50	25,000	1,370	5514821		
CA*F4961*6D*	A*VC950905DXB*	40,000	29,400	15.00	12.50	37,200	30,400	41,000	9.00	25,000	1,200	5937620		
CA*F4961*6D*	A*VC950915DXB*	40,000	29,400	15.00	12.50	37,200	30,400	41,000	9.00	25,000	1,200	5937621		
CA*F4961*6D*	A*VC951155DXB*	40,000	29,400	15.00	12.50	37,200	30,400	41,000	9.00	25,000	1,200	5937622		
CA*F4961*6D*	A*VM961005DXB*	40,000	29,400	15.00	12.50	37,200	30,400	41,000	9.00	25,000	1,200	5937623		
CA*F4961*6D*	A*VM961155DXB*	40,000	29,400	15.00	12.50	37,200	30,400	41,000	9.00	25,000	1,200	5937624		
CA*F4961*6D*	G*VC81005C*B*	40,000	29,400	14.50	12.50	37,200	30,400	40,500	8.50	25,000	1,370	5514822		

See Notes on Page 35.

AHRI RATINGS (CONT.)

OUTDOOR UNIT	INDOOR UNITS		COOLING CAPACITY (BTU/H)			TVA RATINGS ³			HEATING CAPACITY (BTU/H)			CFM	AHRI #
	COILS/AIR HANDLERS	FURNACES	TOTAL	SENS.	SEER ¹	EER ²	TOTAL	SENS.	HI	HSPF ⁴	LOW		
SSZ14 0421A*	CA*F4961*6D*	G*VC950905DXB*	40,000	29,400	15.00	12.50	37,200	30,400	41,000	9.00	25,000	1,200	5937625
	CA*F4961*6D*	G*VC950915DXB*	40,000	29,400	15.00	12.50	37,200	30,400	41,000	9.00	25,000	1,200	5937626
	CA*F4961*6D*	G*VC951155DXB*	40,000	29,400	15.00	12.50	37,200	30,400	41,000	9.00	25,000	1,200	5937627
	CA*F4961*6D*	G*VM961005DXB*	40,000	29,400	15.00	12.50	37,200	30,400	41,000	9.00	25,000	1,200	5937628
	CA*F4961*6D*	G*VM961155DXB*	40,000	29,400	15.00	12.50	37,200	30,400	41,000	9.00	25,000	1,200	5937629
	CA*F4961*6D*+EEP		41,000	30,200	14.00	12.00	38,000	31,200	41,000	9.00	27,400	1,250	4431860
	CA*F4961*6D*+EEP+TXV		41,000	30,200	14.00	12.00	38,000	31,200	41,000	9.00	27,400	1,250	4431861
	CA*F4961*6D*+MBR2000**1		40,000	29,400	14.00	12.00	37,200	30,400	41,000	9.00	25,000	1,350	4431988
	CA*F4961*6D*+MBR2000**1+TXV		40,000	29,400	14.00	12.00	37,200	30,400	41,000	9.00	25,000	1,350	4431989
	CA*F4961*6D*+MBVC2000**1A*		40,000	29,400	15.00	12.50	37,200	30,400	41,000	9.00	25,000	1,350	4431990
	CA*F4961*6D*+MBVC2000**1A*+TXV		40,000	29,400	15.00	12.50	37,200	30,400	41,000	9.00	25,000	1,350	4431991
	CA*F4961*6D*+TXV	A*VC80805C*B*	39,000	28,600	14.50	11.80	36,200	29,600	40,500	9.00	25,000	1,190	6497993
	CA*F4961*6D*+TXV	A*VC81005C*B*	40,000	29,400	15.00	12.50	37,200	30,400	40,500	8.50	25,000	1,370	5514823
	CA*F4961*6D*+TXV	A*VC950905CXB*	40,000	29,400	15.00	12.50	37,200	30,400	41,000	9.00	25,000	1,325	5937630
	CA*F4961*6D*+TXV	A*VC950905DXB*	40,000	29,400	15.00	12.50	37,200	30,400	41,000	9.00	25,000	1,200	5937631
	CA*F4961*6D*+TXV	A*VC950915DXB*	40,000	29,400	15.00	12.50	37,200	30,400	41,000	9.00	25,000	1,200	5937632
	CA*F4961*6D*+TXV	A*VC951155DXB*	40,000	29,400	15.00	12.50	37,200	30,400	41,000	9.00	25,000	1,200	5937633
	CA*F4961*6D*+TXV	A*VM961005DXB*	40,000	29,400	15.00	12.50	37,200	30,400	41,000	9.00	25,000	1,200	5937634
	CA*F4961*6D*+TXV	A*VM961155DXB*	40,000	29,400	15.00	12.50	37,200	30,400	41,000	9.00	25,000	1,200	5937635
	CA*F4961*6D*+TXV	ADV80805C*B*	38,500	28,200	14.50	11.50	35,800	29,200	40,500	9.00	25,000	1,190	6497994
CA*F4961*6D*+TXV	G*VC80805C*B*	39,000	28,600	14.50	11.80	36,200	29,600	40,500	9.00	25,000	1,190	6497995	
CA*F4961*6D*+TXV	G*VC81005C*B*	40,000	29,400	15.00	12.50	37,200	30,400	40,500	8.50	25,000	1,370	5514824	
CA*F4961*6D*+TXV	G*VC950905CXB*	40,000	29,400	15.00	12.50	37,200	30,400	41,000	9.00	25,000	1,325	5937636	
CA*F4961*6D*+TXV	G*VC950905DXB*	40,000	29,400	15.00	12.50	37,200	30,400	41,000	9.00	25,000	1,200	5937637	
CA*F4961*6D*+TXV	G*VC950915DXB*	40,000	29,400	15.00	12.50	37,200	30,400	41,000	9.00	25,000	1,200	5937638	
CA*F4961*6D*+TXV	G*VC951155DXB*	40,000	29,400	15.00	12.50	37,200	30,400	41,000	9.00	25,000	1,200	5937639	
CA*F4961*6D*+TXV	G*VM961005DXB*	40,000	29,400	15.00	12.50	37,200	30,400	41,000	9.00	25,000	1,200	5937640	
CA*F4961*6D*+TXV	G*VM961155DXB*	40,000	29,400	15.00	12.50	37,200	30,400	41,000	9.00	25,000	1,200	5937641	
CAPT4961*4A*	A*VC80805C*B*	39,000	28,600	14.50	11.80	36,200	29,600	40,500	9.00	25,000	1,390	6497996	
CAPT4961*4A*	A*VC950905DXB*	40,000	29,400	15.00	12.50	37,200	30,400	40,500	9.00	25,000	1,315	6497997	
CAPT4961*4A*	A*VC950915DXB*	40,000	29,400	15.00	12.50	37,200	30,400	40,500	9.00	25,000	1,295	5937642	
CAPT4961*4A*	A*VC951155DXB*	40,000	29,400	15.00	12.50	37,200	30,400	40,500	9.00	25,000	1,405	5937643	
CAPT4961*4A*	A*VM961005DXB*	40,000	29,400	15.00	12.50	37,200	30,400	40,500	9.00	25,000	1,405	5937644	

See Notes on Page 35.

AHRI RATINGS (CONT.)

OUTDOOR UNIT	INDOOR UNITS		COOLING CAPACITY (BTU/H)			TVA RATINGS ³			HEATING CAPACITY (BTU/H)			CFM	AHRI #
	COILS/AIR HANDLERS	FURNACES	TOTAL	SEER ¹	EER ²	TOTAL	SENS.	HI	HSPF ⁴	LOW			
SSZ14 0421A*	CAPT4961*4A*	A*VM961155DXB*	40,000	15.00	12.50	37,200	30,400	40,500	9.00	25,000	1,405	5937645	
	CAPT4961*4A*	ADV80805C*B*	38,500	14.50	11.50	35,800	29,200	40,500	9.00	25,000	1,375	6497998	
6497999	CAPT4961*4A*	G*VC80805C*B*	39,000	14.50	11.80	36,200	29,600	40,500	9.00	25,000	1,390	6497999	
	CAPT4961*4A*	G*VC950905DXB*	40,000	15.00	12.50	37,200	30,400	40,500	9.00	25,000	1,315	5937646	
5937647	CAPT4961*4A*	G*VC950915DXB*	40,000	15.00	12.50	37,200	30,400	40,500	9.00	25,000	1,295	5937647	
	CAPT4961*4A*	G*VC951155DXB*	40,000	15.00	13.00	37,200	30,400	40,500	9.00	25,000	1,405	5937648	
5937649	CAPT4961*4A*	G*VM961005DXB*	40,000	15.00	12.50	37,200	30,400	40,500	9.00	25,000	1,405	5937649	
	CAPT4961*4A*	G*VM961155DXB*	40,000	15.00	12.50	37,200	30,400	40,500	9.00	25,000	1,405	5937650	
5520862	CAPT4961*4A*+EEP		41,000	14.00	12.00	38,000	31,200	41,000	8.50	27,400	1,350	5520862	
	CAPT4961*4A*+MBR2000**-1		40,000	14.00	12.00	37,200	30,400	41,000	9.00	25,000	1,380	5520892	
5527444	CAPT4961*4A*+MBVC2000**-1A*		40,000	15.00	13.00	37,200	30,400	40,000	9.00	25,000	1,315	5527444	
	CHPF4860D6D*	A*VC950905DXB*	40,000	15.00	12.50	37,200	30,400	41,000	9.00	25,000	1,200	5937651	
5937652	CHPF4860D6D*	A*VC951155DXB*	40,000	15.00	12.50	37,200	30,400	41,000	9.00	25,000	1,200	5937652	
	CHPF4860D6D*	A*VM961005DXB*	40,000	15.00	12.50	37,200	30,400	41,000	9.00	25,000	1,200	5937653	
5937654	CHPF4860D6D*	A*VM961155DXB*	40,000	15.00	12.50	37,200	30,400	41,000	9.00	25,000	1,200	5937654	
	CHPF4860D6D*	G*VC950905DXB*	40,000	15.00	12.50	37,200	30,400	41,000	9.00	25,000	1,200	5937655	
5937656	CHPF4860D6D*	G*VC951155DXB*	40,000	15.00	12.50	37,200	30,400	41,000	9.00	25,000	1,200	5937656	
	CHPF4860D6D*	G*VM961005DXB*	40,000	15.00	12.50	37,200	30,400	41,000	9.00	25,000	1,200	5937657	
3300384	CHPF4860D6D*+EEP		40,000	15.00	12.50	37,200	30,400	41,000	9.00	25,000	1,200	5937658	
	CHPF4860D6D*+EEP+TXV		41,000	14.00	12.00	38,000	31,200	41,000	9.00	27,400	1,250	3300384	
3300385	CHPF4860D6D*+MBR2000**-1+TXV		40,000	14.00	12.00	37,200	30,400	41,000	9.00	27,400	1,300	3300385	
	CHPF4860D6D*+MBVC2000**-1A*		40,000	15.00	12.00	37,200	30,400	41,000	9.00	25,000	1,250	6498000	
3610056	CHPF4860D6D*+MBVC2000**-1A*+TXV		40,000	15.00	12.50	37,200	30,400	41,000	9.00	25,000	1,350	3610056	
	CHPF4860D6D*+TXV	A*VC950905DXB*	40,000	15.00	12.50	37,200	30,400	41,000	9.00	25,000	1,200	5937659	
5937660	CHPF4860D6D*+TXV	A*VC951155DXB*	40,000	15.00	12.50	37,200	30,400	41,000	9.00	25,000	1,250	5937660	
	CHPF4860D6D*+TXV	A*VM961005DXB*	40,000	15.00	12.50	37,200	30,400	41,000	9.00	25,000	1,250	5937661	
5937662	CHPF4860D6D*+TXV	A*VM961155DXB*	40,000	15.00	12.50	37,200	30,400	41,000	9.00	25,000	1,250	5937662	
	CHPF4860D6D*+TXV	G*VC950905DXB*	40,000	15.00	12.50	37,200	30,400	41,000	9.00	25,000	1,200	5937663	
5937664	CHPF4860D6D*+TXV	G*VC951155DXB*	40,000	15.00	12.50	37,200	30,400	41,000	9.00	25,000	1,200	5937664	
	CHPF4860D6D*+TXV	G*VM961005DXB*	40,000	15.00	12.50	37,200	30,400	41,000	9.00	25,000	1,200	5937665	
5937666	CHPF4860D6D*+TXV	G*VM961155DXB*	40,000	15.00	12.50	37,200	30,400	41,000	9.00	25,000	1,200	5937666	
	CSCF4860N6D*+TXV	A*VC950905DXB*	40,000	15.00	12.50	37,200	30,400	40,000	9.00	25,000	1,450	6498001	
6498002	CSCF4860N6D*+TXV	A*VC951155DXB*	40,000	15.00	12.50	37,200	30,400	40,000	9.00	25,000	1,425	6498002	

See Notes on Page 35.

AHRI RATINGS (CONT.)

OUTDOOR UNIT	INDOOR UNITS		COOLING CAPACITY (BTU/H)			TVA RATINGS ³			HEATING CAPACITY (BTU/H)			CFM	AHRI #	
	COILS/AIR HANDLERS	FURNACES	TOTAL	SENS.	SEER ¹	EER ²	TOTAL	SENS.	HI	HSPF ⁴	LOW			
SSZ14 0481A*	ARPT48D14A*		45,000	33,200	14.00	11.50	41,500	33,800	45,500	8.40	27,000	1,460	5358292	
	ARPT60D14A*		45,000	33,200	14.00	11.50	41,500	33,800	45,500	8.40	27,000	1,460	5458811	
	ARUF48D14A*+TXV		44,500	32,800	13.50	11.50	41,000	33,400	45,000	8.00	27,000	1,480	5497286	
	ASPT48D14A*		46,500	34,200	15.00	12.50	43,000	34,800	45,500	8.50	26,000	1,400	5796521	
	ASPT60D14A*		46,500	34,200	15.00	12.50	43,000	34,800	45,500	8.50	26,000	1,400	5722682	
	ASUF59D14A*		46,500	34,200	14.50	12.00	43,000	34,800	45,500	8.20	26,000	1,600	5722680	
	ASUF59D14A*+TXV		46,500	34,200	15.00	12.50	43,000	34,800	45,500	8.50	26,000	1,600	5722681	
	AVPTC48D14A*		46,500	34,200	15.00	12.50	43,000	34,800	45,500	8.50	26,000	1,480	5924413	
	CA*F4961*6D*	A*VC950905CXB*		46,000	33,800	14.50	12.00	42,500	34,600	47,000	8.50	30,000	1,500	5937667
	CA*F4961*6D*	A*VC950905DXB*		46,000	33,800	14.50	12.00	42,500	34,600	47,000	8.50	30,000	1,500	5937668
	CA*F4961*6D*	A*VC950915DXB*		46,000	33,800	14.50	12.00	42,500	34,600	47,000	8.50	30,000	1,500	5937669
	CA*F4961*6D*	A*VC951155DXB*		46,000	33,800	14.50	12.00	42,500	34,600	47,000	8.50	30,000	1,500	5937670
	CA*F4961*6D*	A*VM960805CXB*		46,000	33,800	14.50	12.00	42,500	34,600	47,000	8.50	30,000	1,500	5937671
	CA*F4961*6D*	A*VM960805DXB*		46,000	33,800	14.50	12.00	42,500	34,600	47,000	8.50	30,000	1,500	5937672
	CA*F4961*6D*	A*VM961005DXB*		46,000	33,800	14.50	12.00	42,500	34,600	47,000	8.50	30,000	1,500	5937673
	CA*F4961*6D*	A*VM961155DXB*		46,000	33,800	14.50	12.00	42,500	34,600	47,000	8.50	30,000	1,500	5937674
	CA*F4961*6D*	G*VC91155DXA*		46,000	33,800	14.50	12.00	42,500	34,600	47,000	8.50	30,000	1,500	4579617
	CA*F4961*6D*	G*VC950905CXB*		46,000	33,800	14.50	12.00	42,500	34,600	47,000	8.50	30,000	1,500	5937675
	CA*F4961*6D*	G*VC950905DXB*		46,000	33,800	14.50	12.00	42,500	34,600	47,000	8.50	30,000	1,500	5937676
	CA*F4961*6D*	G*VC950915DXB*		46,000	33,800	14.50	12.00	42,500	34,600	47,000	8.50	30,000	1,500	5937677
CA*F4961*6D*	G*VC951155DXB*		46,000	33,800	14.50	12.00	42,500	34,600	47,000	8.50	30,000	1,500	5937678	
CA*F4961*6D*	G*VM960805CXB*		46,000	33,800	14.50	12.00	42,500	34,600	47,000	8.50	30,000	1,500	5937679	
CA*F4961*6D*	G*VM960805DXB*		46,000	33,800	14.50	12.00	42,500	34,600	47,000	8.50	30,000	1,500	5937680	
CA*F4961*6D*	G*VM961005DXB*		46,000	33,800	14.50	12.00	42,500	34,600	47,000	8.50	30,000	1,500	5937681	
CA*F4961*6D*	G*VM961155DXB*		46,000	33,800	14.50	12.00	42,500	34,600	47,000	8.50	30,000	1,500	5937682	
CA*F4961*6D*+EEP			46,000	33,800	14.00	12.00	42,500	34,600	47,000	8.75	30,000	1,550	4431862	
CA*F4961*6D*+EEP+TXV			46,000	33,800	14.00	12.00	42,500	34,600	47,000	8.75	30,000	1,550	4431863	
CA*F4961*6D*+MBR2000**1			46,000	33,800	14.00	12.00	42,500	34,600	47,000	8.50	30,000	1,550	4431998	
CA*F4961*6D*+MBR2000**1+TXV			46,000	33,800	14.00	12.00	42,500	34,600	47,000	8.50	30,000	1,550	4514556	
CA*F4961*6D*+MBVC2000**1A*			46,000	33,800	15.00	12.50	42,500	34,600	46,000	9.00	30,000	1,550	4431999	
CA*F4961*6D*+MBVC2000**1A*+TXV			46,000	33,800	15.00	12.50	42,500	34,600	46,000	9.00	30,000	1,550	4432000	
CA*F4961*6D*+TXV	A*VC80805C*B*		46,000	33,800	14.50	12.00	42,500	34,600	47,000	8.50	30,000	1,510	6498003	
CA*F4961*6D*+TXV	A*VC81005C*B*		46,000	33,800	14.50	12.00	42,500	34,600	47,000	8.50	30,000	1,520	6498004	
CA*F4961*6D*+TXV	A*VC950905CXB*		46,000	33,800	14.50	12.00	42,500	34,600	47,000	8.50	30,000	1,500	5937683	
CA*F4961*6D*+TXV	A*VC950905DXB*		46,000	33,800	14.50	12.00	42,500	34,600	47,000	8.50	30,000	1,500	5937684	

See Notes on Page 35.

AHRI RATINGS (CONT.)

OUTDOOR UNIT	INDOOR UNITS		COOLING CAPACITY (BTU/H)			TVA RATINGS ³			HEATING CAPACITY (BTU/H)			CFM	AHRI #
	COILS/AIR HANDLERS	FURNACES	TOTAL	SENS.	SEER ¹	EER ²	TOTAL	SENS.	HI	HSPF ⁴	LOW		
SSZ14 0481A*	CA*F4961*6D*+TXV	A*VC950915DXB*	46,000	33,800	14.50	12.00	42,500	34,600	47,000	8.50	30,000	1,500	5937685
	CA*F4961*6D*+TXV	A*VC951155DXB*	46,000	33,800	14.50	12.00	42,500	34,600	47,000	8.50	30,000	1,500	5937686
	CA*F4961*6D*+TXV	A*VM960805CXB*	46,000	33,800	14.50	12.00	42,500	34,600	47,000	8.50	30,000	1,500	5937687
	CA*F4961*6D*+TXV	A*VM960805DXB*	46,000	33,800	14.50	12.00	42,500	34,600	47,000	8.50	30,000	1,500	5937688
	CA*F4961*6D*+TXV	A*VM961005DXB*	46,000	33,800	14.50	12.00	42,500	34,600	47,000	8.50	30,000	1,500	5937689
	CA*F4961*6D*+TXV	A*VM961155DXB*	46,000	33,800	14.50	12.00	42,500	34,600	47,000	8.50	30,000	1,500	5937690
	CA*F4961*6D*+TXV	ADV80805C*B*	46,000	33,800	14.50	12.00	42,500	34,600	47,000	8.50	30,000	1,500	6498005
	CA*F4961*6D*+TXV	ADV81005C*B*	46,000	33,800	14.50	12.00	42,500	34,600	47,000	8.50	30,000	1,550	6498006
	CA*F4961*6D*+TXV	G*VC80805C*B*	46,000	33,800	14.50	12.00	42,500	34,600	47,000	8.50	30,000	1,510	6498007
	CA*F4961*6D*+TXV	G*VC81005C*B*	46,000	33,800	14.50	12.00	42,500	34,600	47,000	8.50	30,000	1,520	6498008
	CA*F4961*6D*+TXV	G*VC91155DXA*	46,000	33,800	14.50	12.00	42,500	34,600	47,000	8.50	30,000	1,500	4579619
	CA*F4961*6D*+TXV	G*VC950905CXB*	46,000	33,800	14.50	12.00	42,500	34,600	47,000	8.50	30,000	1,500	5937691
	CA*F4961*6D*+TXV	G*VC950905DXB*	46,000	33,800	14.50	12.00	42,500	34,600	47,000	8.50	30,000	1,500	5937692
	CA*F4961*6D*+TXV	G*VC950915DXB*	46,000	33,800	14.50	12.00	42,500	34,600	47,000	8.50	30,000	1,500	5937693
	CA*F4961*6D*+TXV	G*VC951155DXB*	46,000	33,800	14.50	12.00	42,500	34,600	47,000	8.50	30,000	1,500	5937694
	CA*F4961*6D*+TXV	G*VM960805CXB*	46,000	33,800	14.50	12.00	42,500	34,600	47,000	8.50	30,000	1,500	5937695
	CA*F4961*6D*+TXV	G*VM960805DXB*	46,000	33,800	14.50	12.00	42,500	34,600	47,000	8.50	30,000	1,500	5937696
	CA*F4961*6D*+TXV	G*VM961005DXB*	46,000	33,800	14.50	12.00	42,500	34,600	47,000	8.50	30,000	1,500	5937697
	CA*F4961*6D*+TXV	G*VM961155DXB*	46,000	33,800	14.50	12.00	42,500	34,600	47,000	8.50	30,000	1,500	5937698
	CAPT4961*4A*	A*VC80805C*B*	46,000	33,800	14.50	12.00	42,500	34,600	46,500	46,500	8.50	30,000	1,495
CAPT4961*4A*	A*VC81005C*B*	46,000	33,800	14.50	12.00	42,500	34,600	46,500	46,500	8.50	30,000	1,530	6498010
CAPT4961*4A*	A*VC950905CXB*	46,000	33,800	14.50	12.00	42,500	34,600	46,500	46,500	8.50	30,000	1,460	5937699
CAPT4961*4A*	A*VC950905DXB*	46,000	33,800	14.50	12.00	42,500	34,600	46,500	46,500	8.50	30,000	1,460	5937700
CAPT4961*4A*	A*VC951155DXB*	46,000	33,800	14.50	12.00	42,500	34,600	46,000	46,000	8.50	30,000	1,425	5937701
CAPT4961*4A*	A*VC951155DXB*	46,000	33,800	14.50	12.00	42,500	34,600	46,500	46,500	8.50	30,000	1,395	5937702
CAPT4961*4A*	A*VM960805CXB*	46,000	33,800	14.50	12.00	42,500	34,600	46,500	46,500	8.50	30,000	1,465	5937703
CAPT4961*4A*	A*VM960805DXB*	46,000	33,800	14.50	12.00	42,500	34,600	46,000	46,000	8.50	30,000	1,425	5937704
CAPT4961*4A*	A*VM961005DXB*	46,000	33,800	14.50	12.00	42,500	34,600	46,000	46,000	8.50	30,000	1,395	5937705
CAPT4961*4A*	A*VM961155DXB*	46,000	33,800	14.50	12.00	42,500	34,600	46,000	46,000	8.50	30,000	1,395	5937706
CAPT4961*4A*	ADV80805C*B*	46,000	33,800	14.50	12.00	42,500	34,600	46,500	46,500	8.50	30,000	1,500	6498011
CAPT4961*4A*	ADV81005C*B*	46,000	33,800	14.50	12.00	42,500	34,600	46,500	46,500	8.50	30,000	1,545	6498012
CAPT4961*4A*	G*VC80805C*B*	46,000	33,800	14.50	12.00	42,500	34,600	46,500	46,500	8.50	30,000	1,495	6498013
CAPT4961*4A*	G*VC81005C*B*	46,000	33,800	14.50	12.00	42,500	34,600	46,500	46,500	8.50	30,000	1,530	6498014
CAPT4961*4A*	G*VC91155DXA*	46,000	33,800	14.50	12.00	42,500	34,600	46,000	46,000	8.50	30,000	1,395	5520841
CAPT4961*4A*	G*VC950905CXB*	46,000	33,800	14.50	12.00	42,500	34,600	46,500	46,500	8.50	30,000	1,460	5937707

See Notes on Page 35.

AHRI RATINGS (CONT.)

OUTDOOR UNIT	INDOOR UNITS		COOLING CAPACITY (BTU/H)			TVA RATINGS ³			HEATING CAPACITY (BTU/H)			CFM	AHRI #
			TOTAL	SENS.	SEER ¹	EER ²	TOTAL	SENS.	SEER ¹	EER ²	HI		
SSZ14 0481A*	CAPT4961*4A*	COILS/AIR HANDLERS	46,000	33,800	14.50	12.00	42,500	34,600	46,500	8.50	30,000	1,460	5937708
	CAPT4961*4A*		46,000	33,800	14.50	12.00	42,500	34,600	46,000	8.50	30,000	1,425	5937709
SSZ14 0481A*	CAPT4961*4A*	COILS/AIR HANDLERS	46,000	33,800	14.50	12.00	42,500	34,600	46,500	8.50	30,000	1,395	5937710
	CAPT4961*4A*		46,000	33,800	14.50	12.00	42,500	34,600	46,500	8.50	30,000	1,465	5937711
SSZ14 0481A*	CAPT4961*4A*	COILS/AIR HANDLERS	46,000	33,800	14.50	12.00	42,500	34,600	46,000	8.50	30,000	1,425	5937712
	CAPT4961*4A*		46,000	33,800	14.50	12.00	42,500	34,600	46,000	8.50	30,000	1,395	5937713
SSZ14 0481A*	CAPT4961*4A*	COILS/AIR HANDLERS	46,000	33,800	14.50	12.00	42,500	34,600	46,000	8.50	30,000	1,395	5937714
	CAPT4961*4A*+EEP		46,000	33,800	14.00	12.00	42,500	34,600	47,000	8.75	30,000	1,460	5520863
SSZ14 0481A*	CAPT4961*4A*+MBR2000**_1	COILS/AIR HANDLERS	46,000	33,800	14.00	12.00	42,500	34,600	47,000	8.50	30,000	1,560	5520894
	CAPT4961*4A*+MBVC2000**_1A*		46,000	33,800	15.00	13.00	42,500	34,600	46,000	9.00	30,000	1,450	5527445
SSZ14 0481A*	CHPF4860D6D*	COILS/AIR HANDLERS	46,000	33,800	14.50	12.00	42,500	34,600	47,000	8.50	30,000	1,500	5937715
	CHPF4860D6D*		46,000	33,800	14.50	12.00	42,500	34,600	47,000	8.50	30,000	1,500	5937716
SSZ14 0481A*	CHPF4860D6D*	COILS/AIR HANDLERS	46,000	33,800	14.50	12.00	42,500	34,600	47,000	8.50	30,000	1,500	5937717
	CHPF4860D6D*		46,000	33,800	14.50	12.00	42,500	34,600	47,000	8.50	30,000	1,500	4579620
SSZ14 0481A*	CHPF4860D6D*	COILS/AIR HANDLERS	46,000	33,800	14.50	12.00	42,500	34,600	47,000	8.50	30,000	1,500	5937718
	CHPF4860D6D*		46,000	33,800	14.50	12.00	42,500	34,600	47,000	8.50	30,000	1,500	5937719
SSZ14 0481A*	CHPF4860D6D*	COILS/AIR HANDLERS	46,000	33,800	14.50	12.00	42,500	34,600	47,000	8.50	30,000	1,500	5937720
	CHPF4860D6D*+EEP		47,000	34,600	14.00	12.00	43,500	35,200	46,000	9.00	30,000	1,550	3300391
SSZ14 0481A*	CHPF4860D6D*+EEP+TXV	COILS/AIR HANDLERS	47,000	34,600	14.00	12.00	43,500	35,200	46,000	9.00	30,000	1,550	3300392
	CHPF4860D6D*+MBR2000**_1		46,000	33,800	14.50	12.00	42,500	34,600	47,000	8.50	30,000	1,550	3300393
SSZ14 0481A*	CHPF4860D6D*+MBR2000**_1+TXV	COILS/AIR HANDLERS	46,000	33,800	14.50	12.00	42,500	34,600	47,000	8.50	30,000	1,550	3300394
	CHPF4860D6D*+MBR2000**_1A*		46,000	33,800	14.50	12.00	42,500	34,600	47,000	8.50	30,000	1,550	3300395
SSZ14 0481A*	CHPF4860D6D*+MBVC2000**_1A*+TXV	COILS/AIR HANDLERS	46,000	33,800	14.50	12.00	42,500	34,600	47,000	8.50	30,000	1,550	3300395
	CHPF4860D6D*+TXV		46,000	33,800	15.00	12.50	42,500	34,600	46,000	8.50	30,000	1,550	3930741
SSZ14 0481A*	CHPF4860D6D*+TXV	COILS/AIR HANDLERS	46,000	33,800	14.50	12.00	42,500	34,600	47,000	8.50	30,000	1,500	5937721
	CHPF4860D6D*+TXV		46,000	33,800	14.50	12.00	42,500	34,600	47,000	8.50	30,000	1,500	5937722
SSZ14 0481A*	CHPF4860D6D*+TXV	COILS/AIR HANDLERS	46,000	33,800	14.50	12.00	42,500	34,600	47,000	8.50	30,000	1,500	5937723
	CHPF4860D6D*+TXV		46,000	33,800	14.50	12.00	42,500	34,600	47,000	8.50	30,000	1,500	4579621
SSZ14 0481A*	CHPF4860D6D*+TXV	COILS/AIR HANDLERS	46,000	33,800	14.50	12.00	42,500	34,600	47,000	8.50	30,000	1,500	5937724
	CHPF4860D6D*+TXV		46,000	33,800	14.50	12.00	42,500	34,600	47,000	8.50	30,000	1,500	5937725
SSZ14 0481A*	CHPF4860D6D*+TXV	COILS/AIR HANDLERS	46,000	33,800	14.50	12.00	42,500	34,600	47,000	8.50	30,000	1,500	5937726
	CHPF4860D6D*+TXV		46,000	33,800	14.50	12.00	42,500	34,600	47,000	8.50	30,000	1,500	6498015
SSZ14 0481A*	CSCF4860N6D**+TXV	COILS/AIR HANDLERS	46,000	33,800	14.50	12.00	42,500	34,600	47,000	8.50	30,000	1,575	6498016
	CSCF4860N6D**+TXV		46,000	33,800	14.50	12.00	42,500	34,600	47,000	8.50	30,000	1,575	6498017
SSZ14 0481A*	CSCF4860N6D**+TXV	COILS/AIR HANDLERS	46,000	33,800	14.50	12.00	42,500	34,600	47,000	8.50	30,000	1,550	5937727
	CSCF4860N6D**+TXV		46,000	33,800	14.50	12.00	42,500	34,600	47,000	8.50	30,000	1,575	5937728
SSZ14 0481A*	CSCF4860N6D**+TXV	COILS/AIR HANDLERS	46,000	33,800	14.50	12.00	42,500	34,600	47,000	8.50	30,000	1,550	5937729
	CSCF4860N6D**+TXV		46,000	33,800	14.50	12.00	42,500	34,600	47,000	8.50	30,000	1,550	5937729

See Notes on Page 35.

AHRI RATINGS (CONT.)

OUTDOOR UNIT	INDOOR UNITS		COOLING CAPACITY (BTU/H)			TVA RATINGS ³			HEATING CAPACITY (BTU/H)			CFM	AHRI #
	COILS/AIR HANDLERS	FURNACES	TOTAL	SENS.	SEER ¹	EER ²	TOTAL	SENS.	HI	HSPF ⁴	LOW		
SSZ14 0601A*	ARPT60D14A*		55,500	39,500	13.00	11.50	51,500	40,500	57,500	8.50	36,600	1,780	5358289
	ASPT60D14A*		57,000	40,500	14.00	12.00	53,000	41,500	57,000	8.20	34,800	1,745	5722684
	ASUF59D14A*		57,000	40,500	14.00	12.00	53,000	41,500	60,500	8.20	36,000	1,580	5600187
	ASUF59D14A*+TXV		57,000	40,500	14.00	12.00	53,000	41,500	60,500	8.20	36,200	1,600	5722683
	AVPTC60D14A*		57,000	40,500	14.00	12.00	53,000	41,500	57,000	8.20	34,800	1,630	5924414
	CA*F4961*6D*	A*VC950905CXB*	56,500	40,000	14.00	12.00	52,500	41,500	57,000	8.50	33,000	1,750	5937730
	CA*F4961*6D*	A*VC950905DXB*	56,500	40,000	14.00	12.00	52,500	41,500	57,000	8.50	33,000	1,750	5937731
	CA*F4961*6D*	A*VC950915DXB*	56,500	40,000	14.00	12.00	52,500	41,500	57,000	8.50	33,000	1,750	5937732
	CA*F4961*6D*	A*VC951155DXB*	56,500	40,000	14.00	12.00	52,500	41,500	57,000	8.50	33,000	1,800	5937733
	CA*F4961*6D*	A*VM960805CXB*	56,500	40,000	14.00	12.00	52,500	41,500	57,000	8.50	33,000	1,750	5937734
	CA*F4961*6D*	A*VM960805DXB*	56,500	40,000	14.00	12.00	52,500	41,500	57,000	8.50	33,000	1,750	5937735
	CA*F4961*6D*	A*VM961005DXB*	56,500	40,000	14.00	12.00	52,500	41,500	57,000	8.50	33,000	1,800	5937736
	CA*F4961*6D*	A*VM961155DXB*	56,500	40,000	14.00	12.00	52,500	41,500	57,000	8.50	33,000	1,800	5937737
	CA*F4961*6D*	G*VC950905CXB*	56,500	40,000	14.00	12.00	52,500	41,500	57,000	8.50	33,000	1,750	5937738
	CA*F4961*6D*	G*VC950905DXB*	56,500	40,000	14.00	12.00	52,500	41,500	57,000	8.50	33,000	1,750	5937739
	CA*F4961*6D*	G*VC950915DXB*	56,500	40,000	14.00	12.00	52,500	41,500	57,000	8.50	33,000	1,750	5937740
	CA*F4961*6D*	G*VC951155DXB*	56,500	40,000	14.00	12.00	52,500	41,500	57,000	8.50	33,000	1,800	5937741
	CA*F4961*6D*	G*VM960805CXB*	56,500	40,000	14.00	12.00	52,500	41,500	57,000	8.50	33,000	1,750	5937742
	CA*F4961*6D*	G*VM960805DXB*	56,500	40,000	14.00	12.00	52,500	41,500	57,000	8.50	33,000	1,750	5937743
	CA*F4961*6D*	G*VM961005DXB*	56,500	40,000	14.00	12.00	52,500	41,500	57,000	8.50	33,000	1,800	5937744
CA*F4961*6D*	G*VM961155DXB*	56,500	40,000	14.00	12.00	52,500	41,500	57,000	8.50	33,000	1,800	5937745	
CA*F4961*6D*+EEP		57,000	40,500	14.00	12.00	53,000	41,500	58,000	8.75	39,500	1,800	4431864	
CA*F4961*6D*+EEP+TXV		57,000	40,500	14.00	12.00	53,000	41,500	58,000	8.75	39,000	1,800	4431865	
CA*F4961*6D*+MBR2000**1		56,500	40,000	14.00	12.00	52,500	41,500	57,000	8.50	33,000	1,800	4432009	
CA*F4961*6D*+MBR2000**1+TXV		56,500	40,000	14.00	12.00	52,500	41,500	57,000	8.50	33,000	1,800	4514557	
CA*F4961*6D*+MBVC2000**1A*		56,500	40,000	15.00	12.50	52,500	41,500	57,000	9.00	33,000	1,800	4432010	
CA*F4961*6D*+MBVC2000**1A*+TXV		56,500	40,000	15.00	12.50	52,500	41,500	57,000	9.00	33,000	1,800	4432011	
CA*F4961*6D*+TXV	A*VC950905CXB*	56,500	40,000	14.00	11.50	52,500	41,500	57,000	8.50	33,000	1,750	5937746	
CA*F4961*6D*+TXV	A*VC950905DXB*	56,500	40,000	14.00	11.50	52,500	41,500	57,000	8.50	33,000	1,750	5937747	
CA*F4961*6D*+TXV	A*VC950915DXB*	56,500	40,000	14.00	11.50	52,500	41,500	57,000	8.50	33,000	1,750	5937748	
CA*F4961*6D*+TXV	A*VC951155DXB*	56,500	40,000	14.00	11.50	52,500	41,500	57,000	8.50	33,000	1,800	5937749	
CA*F4961*6D*+TXV	A*VM960805CXB*	56,500	40,000	14.00	11.50	52,500	41,500	57,000	8.50	33,000	1,750	5937750	
CA*F4961*6D*+TXV	A*VM960805DXB*	56,500	40,000	14.00	11.50	52,500	41,500	57,000	8.50	33,000	1,750	5937751	
CA*F4961*6D*+TXV	A*VM961005DXB*	56,500	40,000	14.00	11.50	52,500	41,500	57,000	8.50	33,000	1,750	5937752	
CA*F4961*6D*+TXV	A*VM961155DXB*	56,500	40,000	14.00	11.50	52,500	41,500	57,000	8.50	33,000	1,750	5937753	

See Notes on Page 35.

AHRI RATINGS (CONT.)

OUTDOOR UNIT	INDOOR UNITS		COOLING CAPACITY (BTU/H)			TVA RATINGS ³			HEATING CAPACITY (BTU/H)			CFM	AHRI #	
			TOTAL	SENS.	SEER ¹	EER ²	TOTAL	SENS.	SEER ¹	HI	HSPF ⁴			LOW
SSZ14 0601A*	CA*F4961*6D*+TXV		G*VC950905CXB*	56,500	40,000	14.00	12.00	52,500	41,500	57,000	8.50	33,000	1,750	5937754
	CA*F4961*6D*+TXV		G*VC950905DXB*	56,500	40,000	14.00	12.00	52,500	41,500	57,000	8.50	33,000	1,750	5937755
	CA*F4961*6D*+TXV		G*VC950915DXB*	56,500	40,000	14.00	11.50	52,500	41,500	57,000	8.50	33,000	1,750	5937756
	CA*F4961*6D*+TXV		G*VC951155DXB*	56,500	40,000	14.00	12.00	52,500	41,500	57,000	8.50	33,000	1,800	5937757
	CA*F4961*6D*+TXV		G*VM960805CXB*	56,500	40,000	14.00	12.00	52,500	41,500	57,000	8.50	33,000	1,750	5937758
	CA*F4961*6D*+TXV		G*VM960805DXB*	56,500	40,000	14.00	12.00	52,500	41,500	57,000	8.50	33,000	1,750	5937759
	CA*F4961*6D*+TXV		G*VM961005DXB*	56,500	40,000	14.00	12.00	52,500	41,500	57,000	8.50	33,000	1,800	5937760
	CA*F4961*6D*+TXV		G*VM961155DXB*	56,500	40,000	14.00	12.00	52,500	41,500	57,000	8.50	33,000	1,800	5937761
	CAPT4961*4A*		A*VC950905CXB*	56,500	40,000	14.00	11.50	52,500	41,500	57,000	8.50	33,000	1,785	5937762
	CAPT4961*4A*		A*VC950905DXB*	56,500	40,000	14.00	11.50	52,500	41,500	57,000	8.50	33,000	1,695	5937763
	CAPT4961*4A*		A*VC950915DXB*	56,500	40,000	14.00	11.50	52,500	41,500	57,000	8.50	33,000	1,680	5937764
	CAPT4961*4A*		A*VC951155DXB*	56,500	40,000	14.00	11.50	52,500	41,500	57,000	8.50	33,000	1,780	5937765
	CAPT4961*4A*		A*VM960805CXB*	56,500	40,000	14.00	11.50	52,500	41,500	57,000	8.50	33,000	1,800	5937766
	CAPT4961*4A*		A*VM960805DXB*	56,500	40,000	14.00	11.50	52,500	41,500	57,000	8.50	33,000	1,660	5937767
	CAPT4961*4A*		A*VM961005DXB*	56,500	40,000	13.50	11.50	52,500	41,500	57,000	8.50	33,000	1,780	5937768
	CAPT4961*4A*		A*VM961155DXB*	56,500	40,000	13.50	11.50	52,500	41,500	57,000	8.50	33,000	1,780	5937769
	CAPT4961*4A*		G*VC950905CXB*	56,500	40,000	14.00	11.50	52,500	41,500	57,000	8.50	33,000	1,785	5937770
	CAPT4961*4A*		G*VC950905DXB*	56,500	40,000	14.00	11.50	52,500	41,500	57,000	8.50	33,000	1,695	5937771
	CAPT4961*4A*		G*VC950915DXB*	56,500	40,000	14.00	11.50	52,500	41,500	57,000	8.50	33,000	1,680	5937772
	CAPT4961*4A*		G*VC951155DXB*	56,500	40,000	14.00	11.50	52,500	41,500	57,000	8.50	33,000	1,780	5937773
CAPT4961*4A*		G*VM960805CXB*	56,500	40,000	14.00	11.50	52,500	41,500	57,000	8.50	33,000	1,800	5937774	
CAPT4961*4A*		G*VM960805DXB*	56,500	40,000	14.00	12.00	52,500	41,500	57,000	8.50	33,000	1,660	5937775	
CAPT4961*4A*		G*VM961005DXB*	56,500	40,000	13.50	11.50	52,500	41,500	57,000	8.50	33,000	1,780	5937776	
CAPT4961*4A*		G*VM961155DXB*	56,500	40,000	13.50	11.50	52,500	41,500	57,000	8.50	33,000	1,780	5937777	
CAPT4961*4A*+EEP				57,000	40,500	14.00	12.00	53,000	41,500	58,000	8.50	39,000	1,700	5520864
CAPT4961*4A*+MBR2000**1				56,500	40,000	14.00	12.00	52,500	41,500	57,000	8.50	33,000	1,650	5520896
CAPT4961*4A*+MBVC2000**1A*				56,500	40,000	14.50	12.50	52,500	41,500	57,000	9.00	33,000	1,790	5527446
CHPF4860D6D*			A*VC950905CXB*	56,500	40,000	14.00	11.50	52,500	41,500	57,000	8.50	33,000	1,750	5937778
CHPF4860D6D*			A*VC950905DXB*	56,500	40,000	14.00	11.50	52,500	41,500	57,000	8.50	33,000	1,750	5937779
CHPF4860D6D*			A*VC951155DXB*	56,500	40,000	14.00	11.50	52,500	41,500	57,000	8.50	33,000	1,750	5937780
CHPF4860D6D*			A*VM960805CXB*	56,500	40,000	14.00	11.50	52,500	41,500	57,000	8.50	33,000	1,750	5937781
CHPF4860D6D*			A*VM960805DXB*	56,500	40,000	14.00	11.50	52,500	41,500	57,000	8.50	33,000	1,750	5937782
CHPF4860D6D*			A*VM961005DXB*	56,500	40,000	14.00	11.50	52,500	41,500	57,000	8.50	33,000	1,750	5937783
CHPF4860D6D*			A*VM961155DXB*	56,500	40,000	14.00	11.50	52,500	41,500	57,000	8.50	33,000	1,750	5937784
CHPF4860D6D*			G*VC950905CXB*	56,500	40,000	14.00	11.50	52,500	41,500	57,000	8.50	33,000	1,750	5937785
CHPF4860D6D*			G*VC950905DXB*	56,500	40,000	14.00	11.50	52,500	41,500	57,000	8.50	33,000	1,750	5937786

See Notes on Page 35.

AHRI RATINGS (CONT.)

OUTDOOR UNIT	INDOOR UNITS		COOLING CAPACITY (BTU/H)			TVA RATINGS ³			HEATING CAPACITY (BTU/H)			CFM	AHRI #
	COILS/AIR HANDLERS	FURNACES	TOTAL	SENS.	SEER ¹	EER ²	TOTAL	SENS.	HI	HSPF ⁴	LOW		
SSZ14	CHPF4860D6D*	G*VC951155DXB*	56,500	40,000	14.00	11.50	52,500	41,500	57,000	8.50	33,000	1,750	5937787
0601A*	CHPF4860D6D*	G*VM960805CXB*	56,500	40,000	14.00	11.50	52,500	41,500	57,000	8.50	33,000	1,750	5937788
	CHPF4860D6D*	G*VM960805DXB*	56,500	40,000	14.00	11.50	52,500	41,500	57,000	8.50	33,000	1,750	5937789
	CHPF4860D6D*	G*VM961005DXB*	56,500	40,000	14.00	11.50	52,500	41,500	57,000	8.50	33,000	1,750	5937790
	CHPF4860D6D*	G*VM961155DXB*	56,500	40,000	14.00	11.50	52,500	41,500	57,000	8.50	33,000	1,750	5937791
	CHPF4860D6D*+EEP		57,000	40,500	14.00	12.00	53,000	41,500	58,000	8.75	39,500	1,800	3300399
	CHPF4860D6D*+EEP+TXV		57,000	40,500	14.00	12.00	53,000	41,500	58,000	8.75	39,500	1,800	3300400
	CHPF4860D6D*+MBR2000**_1		57,000	40,500	14.00	12.00	53,000	41,500	57,000	8.75	38,000	1,850	3300403
	CHPF4860D6D*+MBR2000**_1+TXV		57,000	40,500	14.00	12.00	53,000	41,500	57,000	8.75	38,000	1,850	3300404
	CHPF4860D6D*+MBR2000**_1A*		57,000	40,500	14.00	12.00	53,000	41,500	57,000	8.75	38,000	1,850	3300405
	CHPF4860D6D*+MBVC2000**_1A*		56,500	40,000	15.00	12.50	52,500	41,500	57,000	9.00	33,000	1,800	3610041
	CHPF4860D6D*+MBVC2000**_1A*+TXV		56,500	40,000	15.00	12.50	52,500	41,500	57,000	9.00	33,000	1,800	3610057
	CHPF4860D6D*+TXV	A*VC950905CXB*	56,500	40,000	14.00	11.50	52,500	41,500	57,000	8.50	33,000	1,750	5937792
	CHPF4860D6D*+TXV	A*VC950905DXB*	56,500	40,000	14.00	11.50	52,500	41,500	57,000	8.50	33,000	1,750	5937793
	CHPF4860D6D*+TXV	A*VC951155DXB*	56,500	40,000	14.00	11.50	52,500	41,500	57,000	8.50	33,000	1,750	5937794
	CHPF4860D6D*+TXV	A*VM960805CXB*	56,500	40,000	14.00	11.50	52,500	41,500	57,000	8.50	33,000	1,750	5937795
	CHPF4860D6D*+TXV	A*VM960805DXB*	56,500	40,000	14.00	11.50	52,500	41,500	57,000	8.50	33,000	1,750	5937796
	CHPF4860D6D*+TXV	A*VM961005DXB*	56,500	40,000	14.00	11.50	52,500	41,500	57,000	8.50	33,000	1,750	5937797
	CHPF4860D6D*+TXV	A*VM961155DXB*	56,500	40,000	14.00	11.50	52,500	41,500	57,000	8.50	33,000	1,750	5937798
	CHPF4860D6D*+TXV	G*VC950905CXB*	56,500	40,000	14.00	11.50	52,500	41,500	57,000	8.50	33,000	1,750	5937799
	CHPF4860D6D*+TXV	G*VC950905DXB*	56,500	40,000	14.00	11.50	52,500	41,500	57,000	8.50	33,000	1,750	5937800
	CHPF4860D6D*+TXV	G*VC951155DXB*	56,500	40,000	14.00	11.50	52,500	41,500	57,000	8.50	33,000	1,750	5937801
	CHPF4860D6D*+TXV	G*VM960805CXB*	56,500	40,000	14.00	11.50	52,500	41,500	57,000	8.50	33,000	1,750	5937802
	CHPF4860D6D*+TXV	G*VM960805DXB*	56,500	40,000	14.00	11.50	52,500	41,500	57,000	8.50	33,000	1,750	5937803
	CHPF4860D6D*+TXV	G*VM961005DXB*	56,500	40,000	14.00	11.50	52,500	41,500	57,000	8.50	33,000	1,750	5937804
	CHPF4860D6D*+TXV	G*VM961155DXB*	56,500	40,000	14.00	11.50	52,500	41,500	57,000	8.50	33,000	1,750	5937805
	CSCF4860N6D*+TXV	A*VC950905CXB*	56,500	40,000	13.50	11.50	52,500	41,500	57,000	8.50	33,000	1,675	6498018
	CSCF4860N6D*+TXV	A*VC950905DXB*	56,500	40,000	13.50	11.50	52,500	41,500	57,000	8.50	33,000	1,675	6498019
	CSCF4860N6D*+TXV	A*VC951155DXB*	56,500	40,000	13.50	11.50	52,500	41,500	57,000	8.50	33,000	1,850	6498020
	CSCF4860N6D*+TXV	G*VC951155DXB*	56,500	40,000	13.50	11.50	52,500	41,500	57,000	8.50	33,000	1,850	5937806

¹ Seasonal Energy Efficiency Ratio; Certified per ARI 210/240 @ 80°F/ 67°F/ 95°F

³ TVA Rating: BTU/h @ 75°F/ 63°F - 95°F

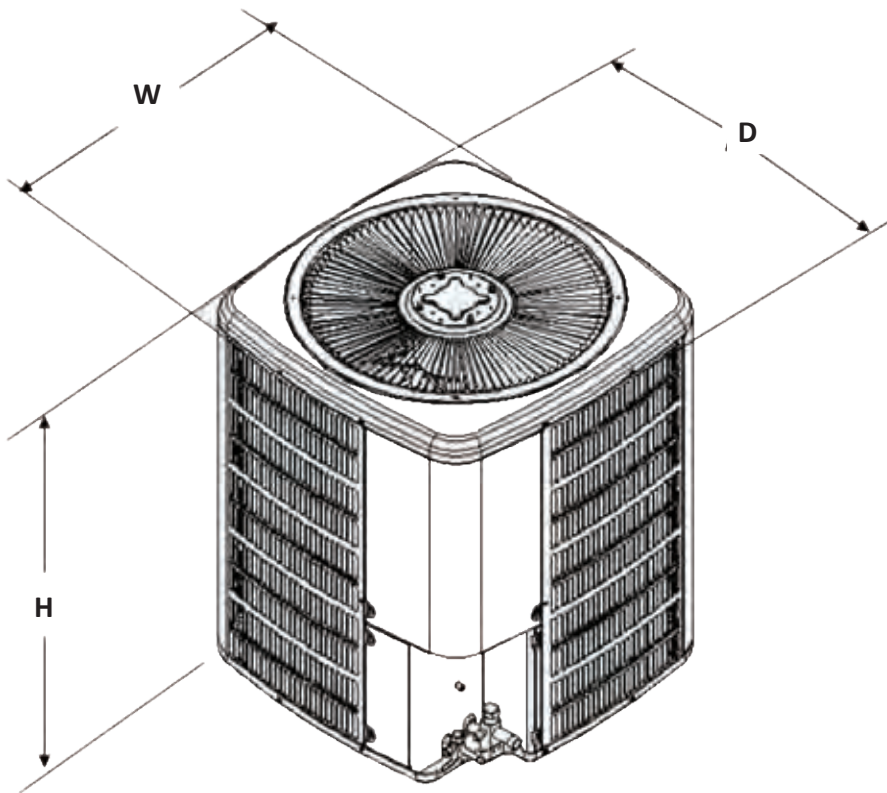
NOTES

- ° Always check the S&R plate for electrical data on the unit being installed.
- ° When matching outdoor unit to indoor unit, use the piston supplied with the outdoor unit or that specified on the piston kit chart supplied with the indoor unit.
- ° EEP - Order from Service Dept. Part No. B13707-38 or new Solid State Board B13707-35S. Part No. B13707-38 is not interchangeable with B13707-35S. The Goodman Gas Furnace contains the EEP cooling time delay

² Energy Efficiency Ratio @ 80°F/ 67°F/ 95°F

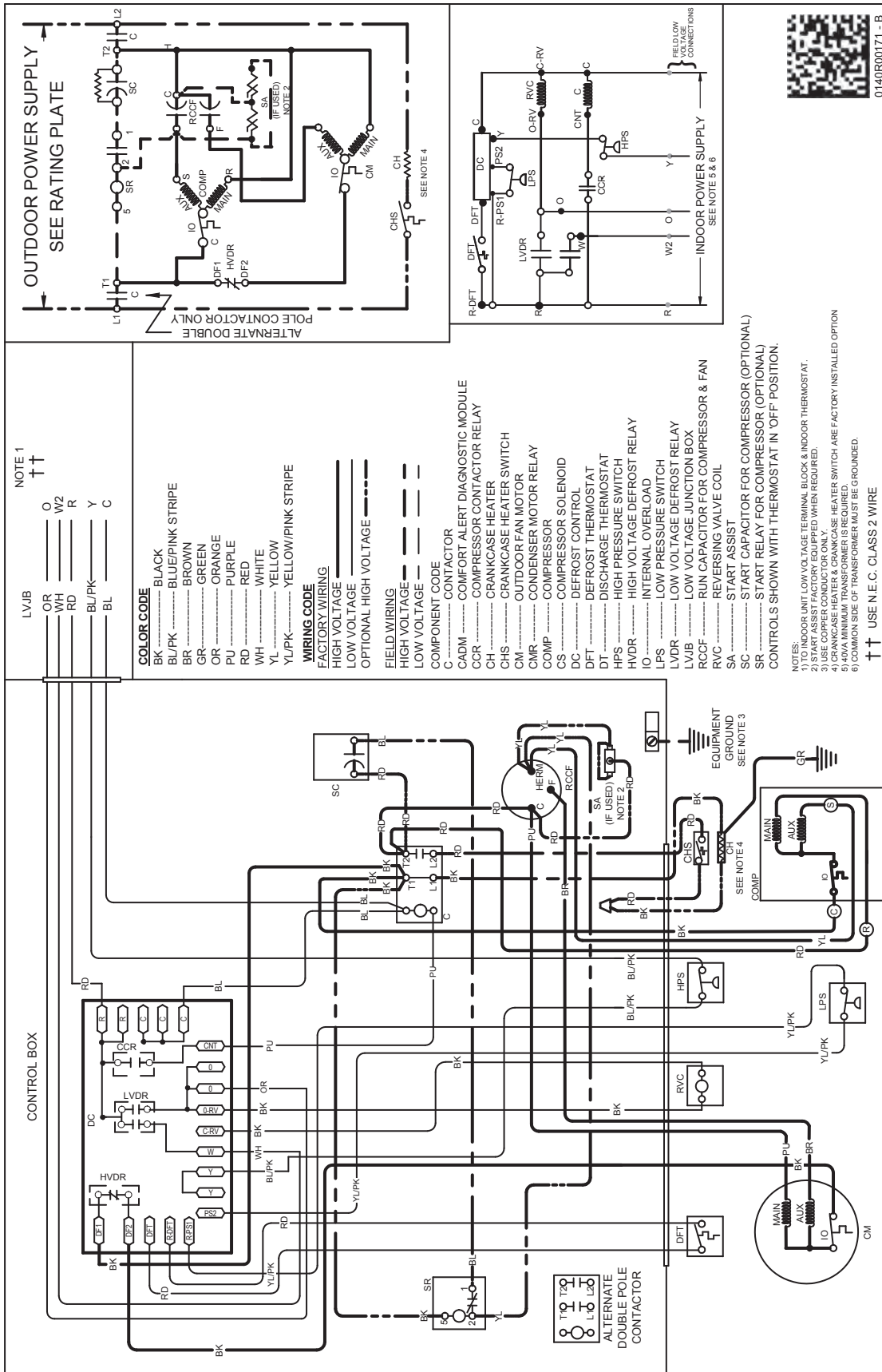
⁴ HSPF = Heating Seasonal Performance Factor

DIMENSIONS



MODEL	DIMENSIONS		
	W"	D"	H"
SSZ140181A	29	29	34 $\frac{1}{4}$
SSZ140241A	29	29	38 $\frac{1}{4}$
SSZ140301A	29	29	38 $\frac{1}{4}$
SSZ140361B	29	29	38 $\frac{1}{4}$
SSZ140421A	35 $\frac{1}{2}$	35 $\frac{1}{2}$	38 $\frac{1}{4}$
SSZ140481A	35 $\frac{1}{2}$	35 $\frac{1}{2}$	34 $\frac{1}{4}$
SSZ140601A	35 $\frac{1}{2}$	35 $\frac{1}{2}$	38 $\frac{1}{4}$

WIRING DIAGRAM—SSZ14018/30/42-601AF, 241AJ, 361B*



High Voltage: Disconnect all power before servicing or installing this unit. Multiple power sources may be present. Failure to do so may cause property damage, personal injury, or death.

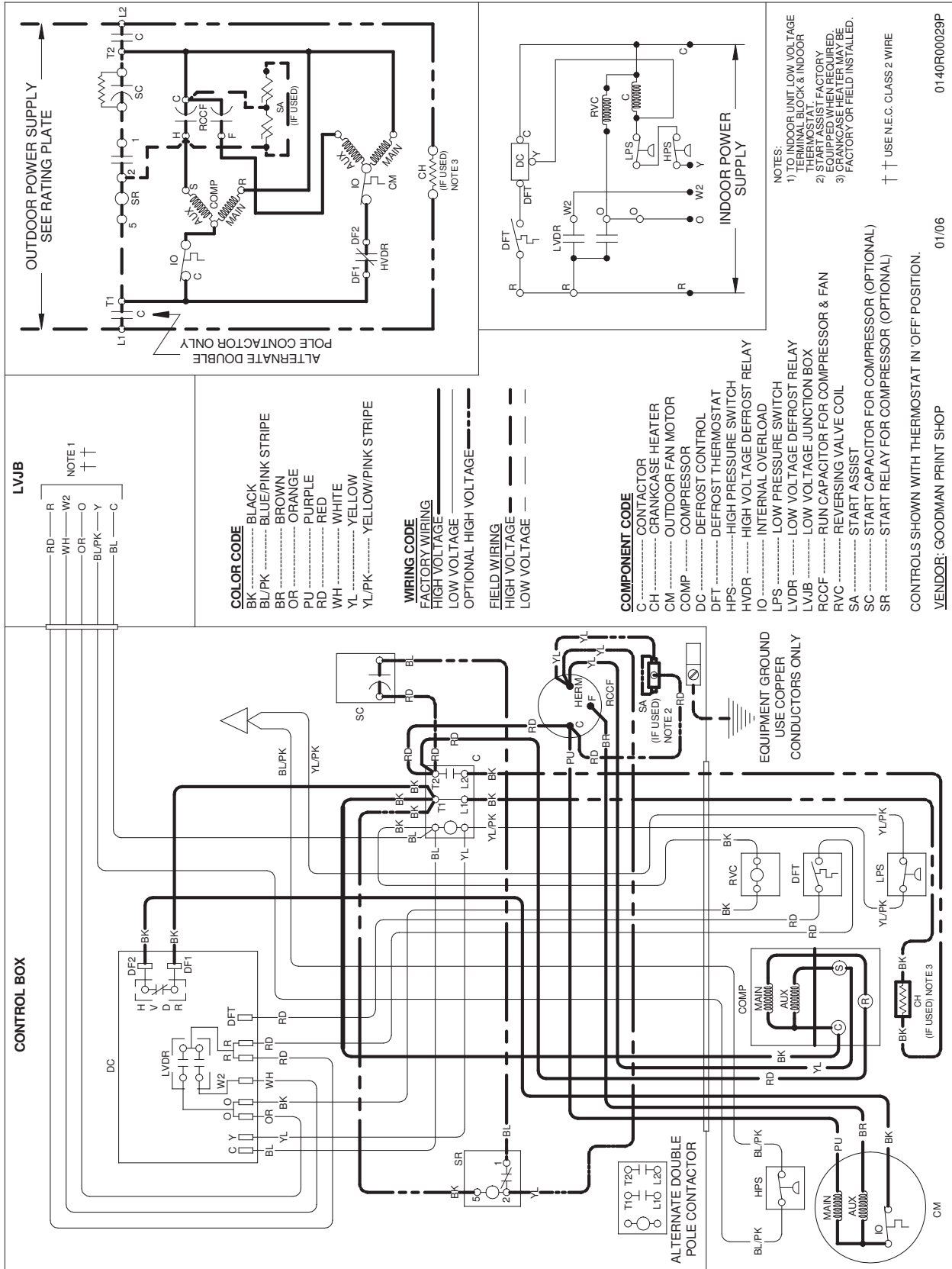


Wiring is subject to change. Always refer to the wiring diagram or the unit for the most up-to-date wiring.



0140R00171 - B

WIRING DIAGRAM — SSZ14018/30/42-601AA-AE, 241AA-AH



Wiring is subject to change. Always refer to the wiring diagram or the unit for the most up-to-date wiring.

WARNING

High Voltage: Disconnect all power before servicing or installing this unit. Multiple power sources may be present. Failure to do so may cause property damage, personal injury, or death.

ACCESSORIES

MODEL	DESCRIPTION	SSZ14 0181A	SSZ14 0241A	SSZ14 0301A	SSZ14 0361B	SSZ14 0421A	SSZ14 0481A	SSZ14 0601A
ABK-20	Anchor Bracket Kit *	X	X	X	X	X	X	X
AFE18-60A	All-fuel Kit	X	X	X	X	X	X	X
ASC-01	Anti-Short Cycle Kit	X	X	X	X	X	X	X
CSR-U-1	Hard-start Kit	X	X	X	X	X	X	X
FSK01A ¹	Freeze Protection Kit	X	X	X	X	X	X	X
LAKT01A	Low-Ambient Kit	X	X	X	X	X	X	X
OT/EHR18-60	Emergency Heat Relay kit	X	X	X	X	X	X	X
OT18-60A ²	Outdoor Thermostat w/ Lockout Stat	X	X	X	X	X	X	X
TX2N4 ³	TXV Kit	X						
TX2N4A ³	TXV Kit	X	X					
TX3N4 ³	TXV Kit			X	X			
TX5N4 ³	TXV Kit					X	X	X

* Contains 20 brackets; four brackets needed to anchor unit to pad

¹ Installed on indoor coil

² Required for heat pump applications where ambient temperatures fall below 0 °F with 50% or higher relative humidity.

³ Condensing units and heat pumps with reciprocating compressors require the use of start-assist components when used in conjunction with an indoor coil using a non-bleed thermal expansion valve refrigerant metering device. The TXV should always be sized based on the tonnage of the outdoor unit.

NOTES