



Air Conditioning & Heating

MBR

MULTI-SPEED MODULAR BLOWERS

COOLING CAPACITY:
18,000 - 60,000 BTU/H

Standard Features

- Multi-speed PSC blower motor
- Cooling or heat pump applications: upflow, downflow, and horizontal applications
- Control board includes a fan delay in cooling mode and is isolated from the air stream
- CAPF/CHPF coils are equipped with a check flowrater
- AHRI certified; ETL listed

Cabinet Features

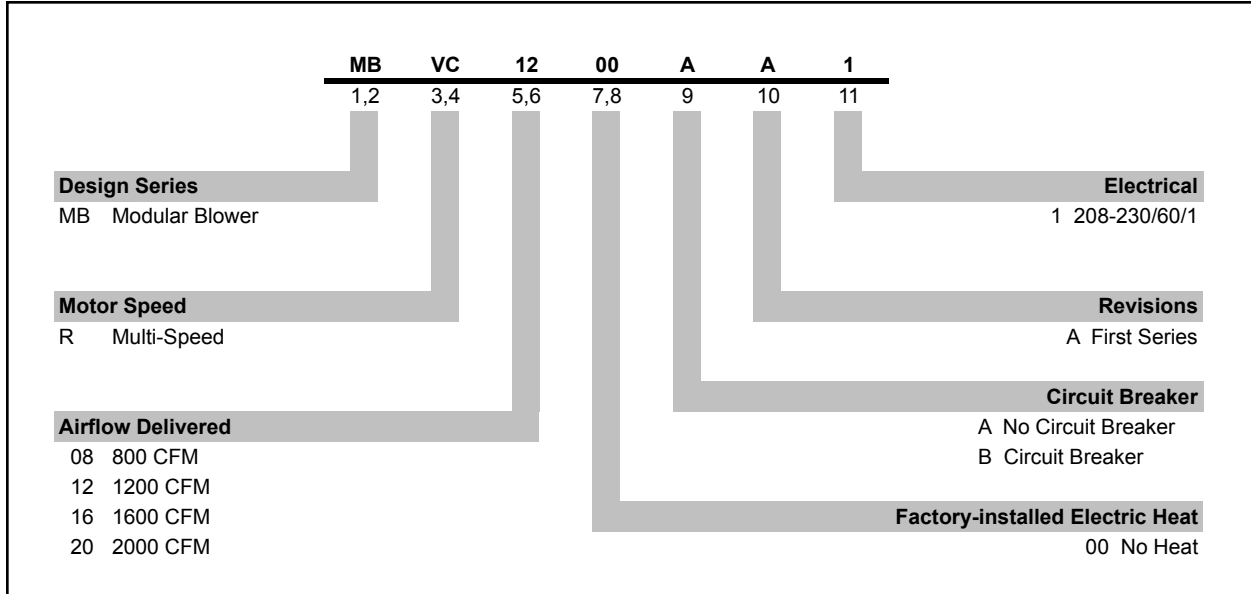
- Painted, galvanized steel cabinet
- Blower section usable as an electric furnace
- Intended for use with cased evaporator coils (CAPF/CHPF) and condensing units or heat pumps
- Foil-faced insulation is glued in place and covers the entire blower case to reduce operating sound and cabinet condensation
- Bottom flanges formed inwardly for additional strength and to provide a good mounting surface for a cased-coil section to form a two-piece blower coil



* Complete warranty details available from your local dealer or at www.goodmanmfg.com. To receive the 10-Year Parts Limited Warranty, online registration must be completed within 60 days of installation. Online registration is not required in California or Québec.



NOMENCLATURE



SPECIFICATIONS

MODEL	CFM @ 0.3" ESP (HIGH-MED-LOW)	VOLTAGE- PHASE	MCA ¹	MOD ¹	BLOWER		MOTOR HP	SHIP WEIGHT (LBS)
					DIAM.	WIDTH		
MBR0800AA-1	910-720-500	208/230-1	1.9	15	9"	6"	¼	72
MBR1200AA-1	1,100-1,060-940	208/230-1	3	15	9"	8"	⅓	72
MBR1600AA-1	1,580-1,380-1,000	208/230-1	3.8	15	10"	8"	⅓	82
MBR2000AA-1	1,860-1,510-1,320	208/230-1	4.9	15	10"	10"	½	94

¹ Minimum Circuit Ampacity and Maximum Overcurrent Protection Device (MOD) for blower without supplemental heat installed. Refer to unit nameplate for these specifications with approved accessory heaters installed.

ELECTRIC HEAT KIT DATA

BLOWER	ELECTRIC HEAT KIT									
	HKR-03*	HKR-05*/ -05C*	HKR-06*	HKR-08*/ -08C*	HKR-10*/ -10C*	HKR-15C*	HKR3-15*	HKR-20C*	HKR3-20*	HKR-21C*
MBR0800AA-1A*	X	X	X	X	X					
MBR1200AA-1A*	X	X	X	X	X	X	X	X	X	X
MBR1600AA-1A*	X	X	X	X	X	X	X	X	X	X
MBR2000AA-1A*	X	X	X	X	X	X	X	X	X	X

SINGLE POINT KIT **

MODEL	HKR-15C	HKR-20C	HKR-21C
SPW-01	X	X	X

** Must be installed along with any of the above compatible heat kits. This kit will fit any MBE-MBR blower as long as a compatible heat kit is installed in the unit.

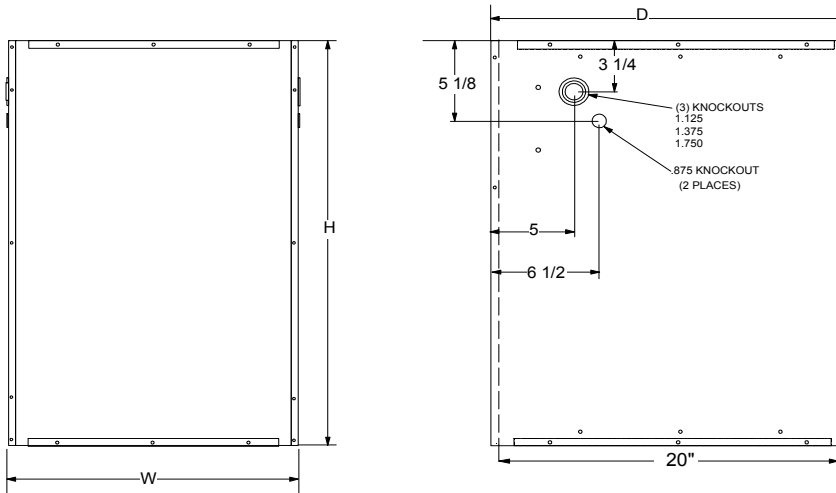
AIRFLOW DATA

SPEED	STATIC	MBR0800**_* SCFM	MBR1200**_* SCFM	MBR1600**_* SCFM	MBR2000**_* SCFM
High	0.1	1,240	1,500	1,800	2,160
	0.2	1,170	1,460	1,740	2,080
	0.3	1,120	1,360	1,680	1,990
	0.4	1,060	1,280	1,610	1,890
	0.5	980	1,200	1,520	1,790
	0.6	900	1,110	1,430	1,690
Medium	0.1	900	1,380	1,540	1,730
	0.2	850	1,320	1,490	1,670
	0.3	790	1,270	1,450	1,590
	0.4	740	1,200	1,400	1,520
	0.5	680	1,140	1,350	1,420
	0.6	605	1,040	1,280	1,320
Low	0.1	650	1,170	1,130	1,520
	0.2	590	1,130	1,100	1,450
	0.3	540	1,080	1,070	1,360
	0.4	500	1,020	1,030	1,290
	0.5	430	950	990	1,200
	0.6	330	830	930	1,090

External static is for blower @ 230 Volts, it does not include Coil, Air Filter or Electric heaters.

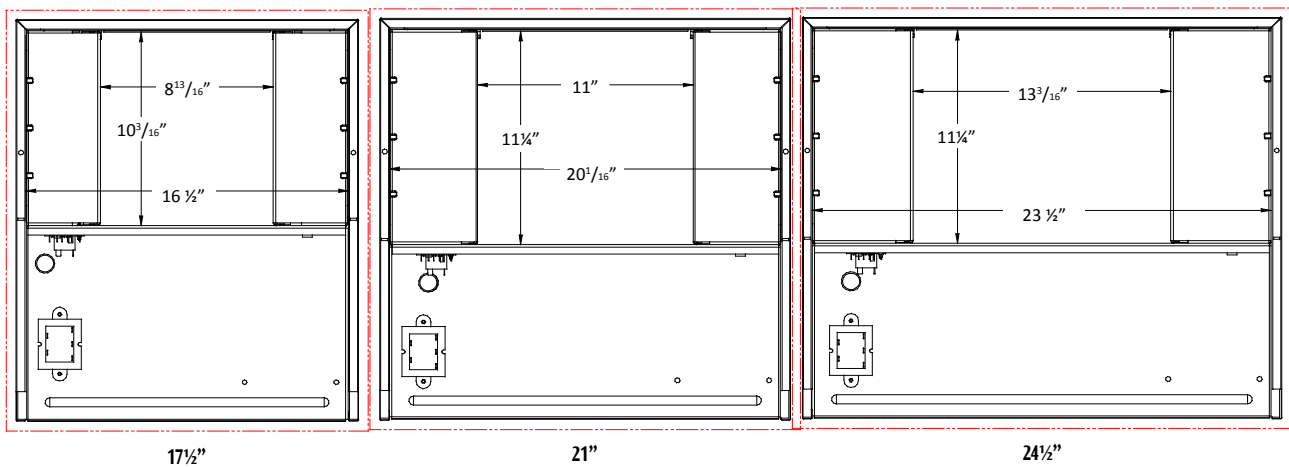
DIMENSIONS

SIDE AND FRONT VIEWS

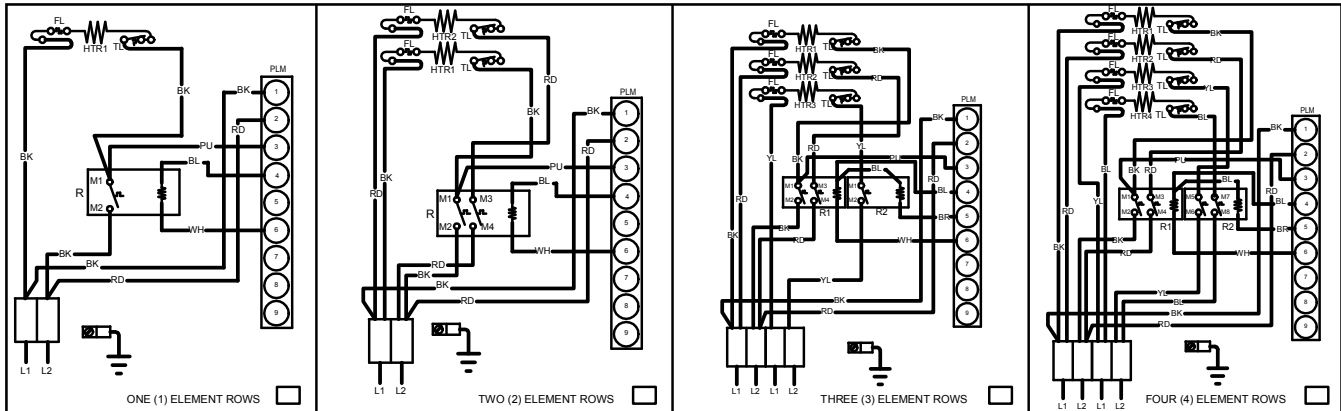


	W	H	D
MBR0800*	17½"	26"	21"
MBR1200*	17½"	26"	21"
MBR1600*	21"	30"	21"
MBR2000*	24½"	30"	21"

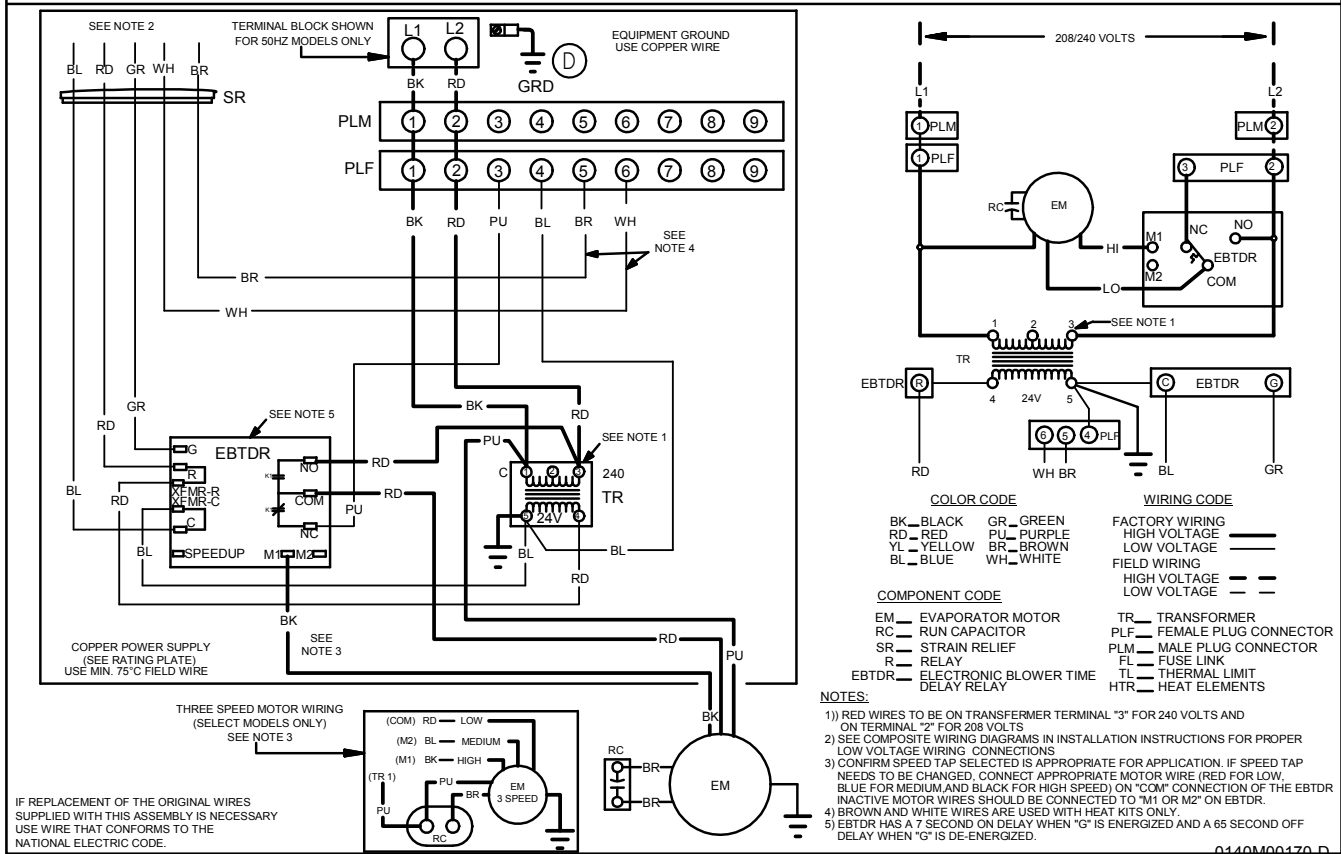
TOP VIEW



WIRING DIAGRAMS



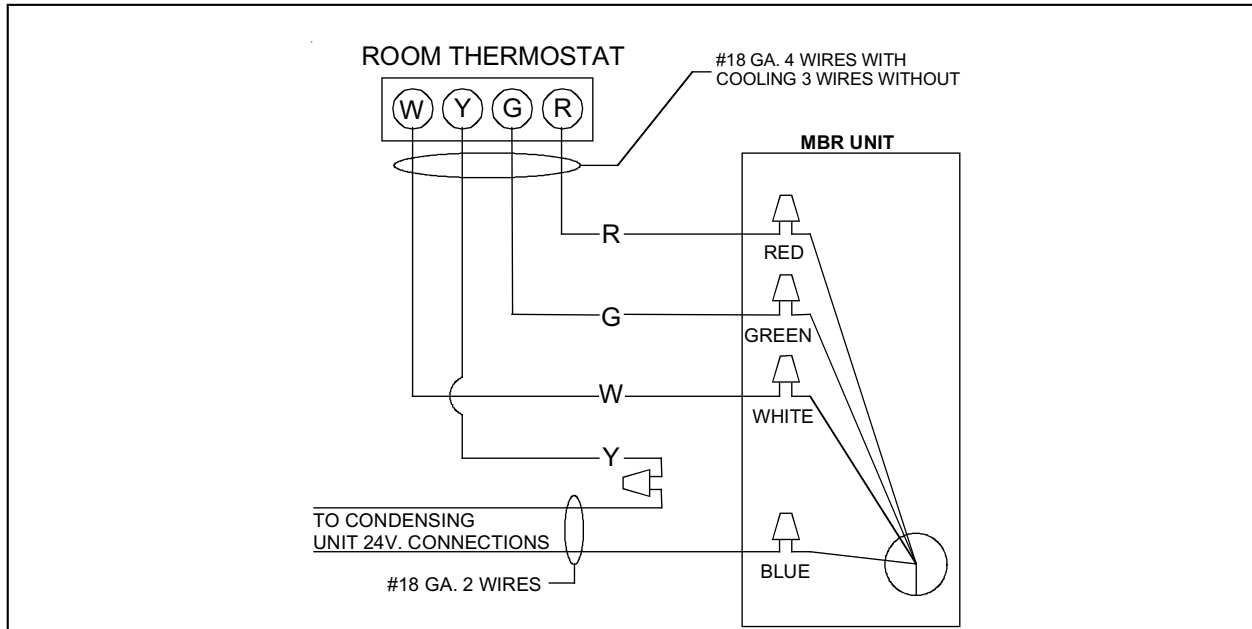
NOTE: WHEN INSTALLING HEATER KIT, ENSURE SPEED TAP DOES NOT EXCEED MINIMUM BLOWER SPEED (MBS) SPECIFIED FOR THE AIRHANDLER/HEATER KIT COMBINATION ON THIS UNIT'S S&R PLATE. AFTER INSTALLING OPTIONAL HEAT KIT, MARK A "X" IN THE PROVIDED ABOVE. MARK ACCORDING TO NUMBER OF HEATER ELEMENT ROWS INSTALLED. NO MARK INDICATES NO HEAT KIT INSTALLED.



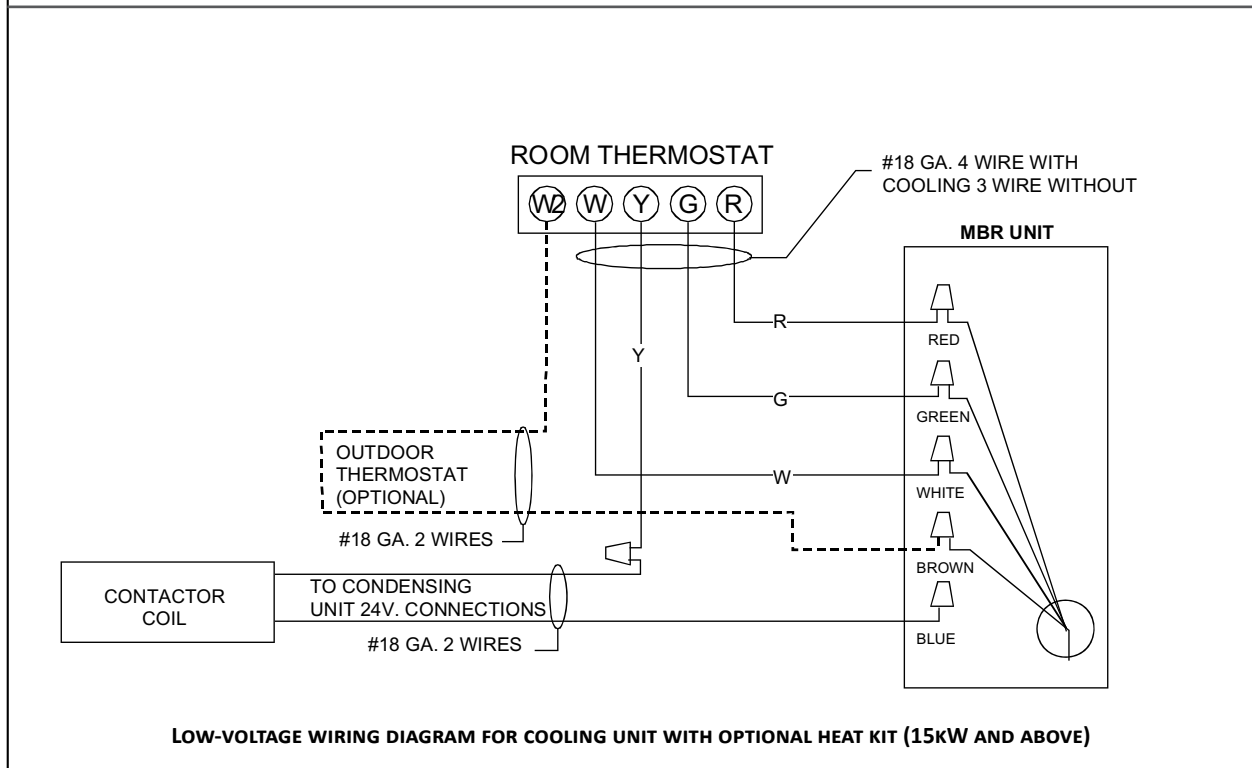
Wiring is subject to change. Always refer to the wiring diagram or the unit for the most up-to-date wiring.

	WARNING	High Voltage: Disconnect all power before servicing or installing this unit. Multiple power sources may be present. Failure to do so may cause property damage, personal injury, or death.	
--	----------------	--	--

WIRING DIAGRAMS (CONT.)



LOW-VOLTAGE WIRING DIAGRAM FOR COOLING UNIT WITH OPTIONAL HEAT KIT (10kW AND BELOW)



LOW-VOLTAGE WIRING DIAGRAM FOR COOLING UNIT WITH OPTIONAL HEAT KIT (15kW AND ABOVE)

Wiring is subject to change. Always refer to the wiring diagram or the unit for the most up-to-date wiring.

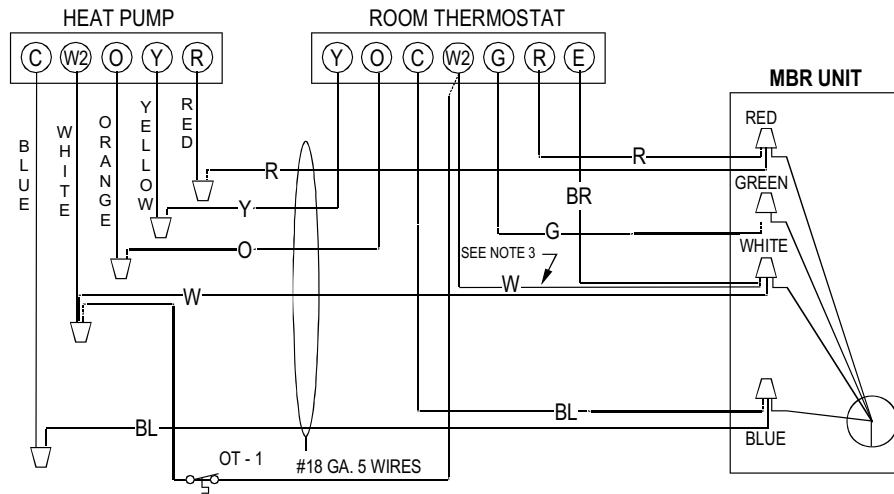


High Voltage: Disconnect all power before servicing or installing this unit. Multiple power sources may be present. Failure to do so may cause property damage, personal injury, or death.



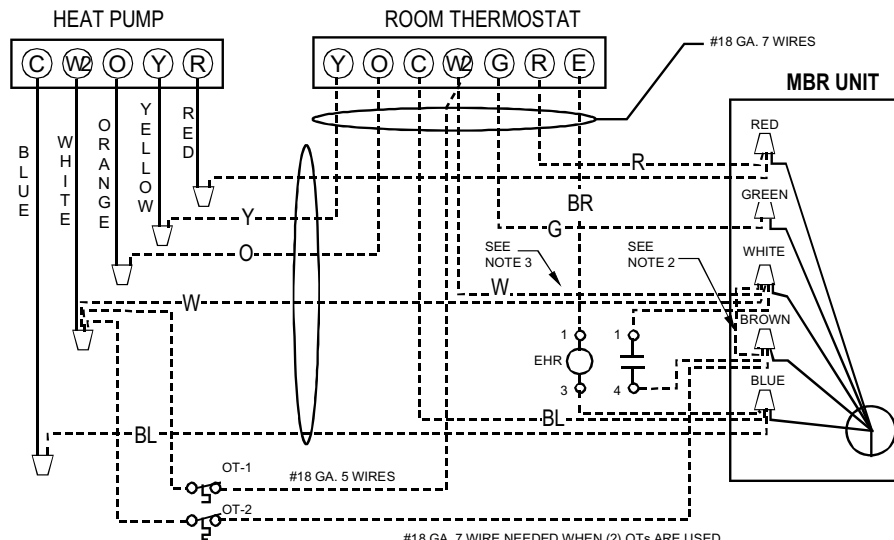
WIRING DIAGRAMS (CONT.)

SYSTEM COMPOSITE DIAGRAM — MBR0800 10kW AND BELOW



OUTDOOR THERMOSTATS
(OPTIONAL) MAKE ON FALL
#18 GA. 6 WIRE NEEDED WHEN OT IS USED

SYSTEM COMPOSITE DIAGRAM — MBR1200-2000 ABOVE 10kW



NOTES

- 1) OUTDOOR THERMOSTAT (OT-1) SHOULD BE THE FIRST TO CLOSE AND THE FIRST TO OPEN.
- 2) IF OUTDOOR THERMOSTAT IS NOT USED, TIE WHITE AND BROWN WIRES FROM AIR HANDLER TOGETHER.
- 3) REMOVE WIRE WHEN USING OUTDOOR T-STAT.
#18 GA. 7 WIRE NEEDED WHEN (2) OTs ARE USED.

NOMENCLATURE

- OT - OUTDOOR TEMPERATURE (OPTIONAL)
- MOF - MAKE ON FALL
- EHR - EMERGENCY HEAT RELAY (OPTIONAL)

COLOR CODES,

- R - RED
- Y - YELLOW
- BL - BLUE
- V - VIOLET
- BR - BROWN
- O - ORANGE
- W - WHITE
- G - GREEN

High Voltage: Disconnect all power before servicing or installing this unit. Multiple power sources may be present. Failure to do so may cause property damage, personal injury, or death.

WARNING

Wiring is subject to change. Always refer to the wiring diagram or the unit for the most up-to-date wiring.

